

The Eufy logo is rendered in a lowercase, sans-serif font. The letter 'e' is stylized with a circular cutout on its left side.

For FAQs and more information, please visit:
www.eufylife.com



Handstick Vacuum Cleaner
Owner's Manual
Manual del usuario

T2501 51005002030 V02

Table of Contents

01 Important Safety Instructions

06 Overview

08 Assembling

09 Wall Mounting

10 Recharging

12 Using

12 Maintenance

15 Specifications

29 Customer Service

Thank you for purchasing this appliance. Carefully read all instructions before using this product, and keep this manual for future reference.

Important Safety Instructions

READ ALL INSTRUCTIONS BEFORE USING YOUR VACUUM CLEANER

WARNING - TO REDUCE THE RISK OF FIRE, ELECTRIC SHOCK, OR INJURY:

- Recharge only with the charger (US: YLS0241A-T300080; UK: YLS0241A-U300080; AU: YLS0241A-A300080; EU: YLS0241A-E300080) specified by the manufacturer. A charger that is suitable for one type of battery pack may cause a risk of fire when used with another battery pack.
- This appliance can be used by children aged from 8 years and above and persons with reduced physical, sensory or mental capabilities or lack of experience and knowledge if they have been given supervision or instruction concerning use of the appliance in a safe way and understand the hazards involved. Children shall not play with the appliance. Cleaning and user maintenance shall not be done by children without supervision.
- The battery must be removed from the device before the device is disposed of.
- This appliance must be disconnected from the mains supply when removing the battery.
- The used battery should be placed in a sealed plastic bag and disposed of safely according to local environmental regulations.
- Fully assemble before operating.
- Intended for household use only.
- Do not use outdoors or on wet surfaces.
- Do not leave this appliance unattended when it is plugged in. Unplug it from the outlet when you are not using it and before servicing.
- Do not allow to be used as a toy. Close attention is necessary when used by or near children.

- Use only as described in this manual. Use only manufacturer recommended attachments.
- For the purposes of recharging the battery, only use the detachable power supply unit provided with this device.
- Do not use with a damaged cord or plug. If the appliance is not working as it should, or has been dropped, damaged, or submerged in water, contact our customer service for advice.
- Do not handle the plug or appliance with wet hands.
- Do not unplug the adapter by pulling on the cord. To unplug, grasp the plug, not the cord.
- Do not pull the cord around sharp edges or corners. Do not run the appliance over the cord. Keep the cord away from heated surfaces.
- Do not put any object into openings or vents. Do not use if any opening is blocked. Keep free of dust, lint, hair, and anything else that may reduce airflow.
- Keep hair, loose clothing, fingers, and other body parts away from openings and moving parts.
- Turn off all controls before unplugging.
- Use extra care when cleaning on stairs.
- Always turn off this appliance before connecting or disconnecting the motorized floor brush.
- To prevent unintentional starting, ensure the appliance is switched off before installing the battery pack, picking up or carrying the appliance. Do not carry the appliance with your finger on the power switch, doing so may cause accidents.
- Do not use to pick up flammable or combustible liquids, such as gasoline, or use in areas where they may be present.
- Do not pick up anything that is burning or smoking, such as cigarettes, matches, or hot ashes.
- Do not pick up hard or sharp objects such as glass, nails, screws, coins, etc.
- Do not use without the dust collector and/or filters in place.
- Store this appliance indoors, in a cool and dry area.
- Make sure that the outlet voltage corresponds to the voltage rating on the charger's label.
- Do not attempt to repair or disassemble this appliance. There are no user-serviceable parts inside. Repair or service must be performed by a qualified repairman and only identical replacement parts can be used. This will ensure the safety of the appliance.
- This appliance includes a rechargeable lithium-ion battery pack. Do not expose the battery pack or appliance to fire or excessive temperature (above 130°C), as it may catch fire and/or explode.
- Do not use a damaged or modified battery pack, as it may catch fire and/or explode.
- Charging, using and storage of the appliance should be within the ambient temperature range of 8-35°C.

- Follow all the charging instructions and do not charge the battery pack out of the temperature range specified in the instructions, otherwise, it may damage the battery and increase the risk of fire.
- Do not attempt to disassemble the battery pack.

SAVE THESE INSTRUCTIONS



This symbol on the device or its packaging indicates:

Do not dispose of electrical appliances as unsorted municipal waste; use separate collection facilities. Contact your local authority for information regarding the collection systems available. If electrical appliances are disposed of in landfills or dumps, hazardous substances can leak into the groundwater and get into the food chain, damaging your health and well-being. When replacing old appliances with new ones, the retailer is legally obliged to take back your old appliance for disposal at least free of charge.

FCC Statement

This device complies with Part 15 of the FCC Rules. Operation is subject to the following two conditions: (1) This device may not cause harmful interference, and (2) this device must accept any interference received, including interference that may cause undesired operation.

Warning: Changes or modifications not expressly approved by the party responsible for compliance could void the user's authority to operate the equipment.

Note: This equipment has been tested and found to comply with the limits for a Class B digital device, pursuant to Part 15 of the FCC Rules. These limits are designed to provide reasonable protection against harmful interference in a residential installation.

This equipment generates, uses, and can radiate radio frequency energy and, if not installed and used in accordance with the instructions, may cause harmful interference to radio communications. However, there is no guarantee that interference will not occur in a particular installation. If this equipment does cause harmful interference to radio or television reception, which can be determined by turning the equipment off and on, the user is encouraged to try to correct the interference by one or more of the following measures: (1) Reorient or relocate the receiving antenna. (2) Increase the separation between the equipment and receiver. (3) Connect the equipment into an outlet on a circuit different from that to which the receiver is connected. (4) Consult the dealer or an experienced radio / TV technician for help.

The following importer is the responsible party (for FCC matters only).
Company Name: POWER MOBILE LIFE, LLC
Address: 400 108th Ave NE Ste 400, Bellevue, WA 98004-5541
Telephone: +1 (800) 988 7973

ISED Compliance Statement

This device contains licence-exempt transmitter(s)/receiver(s) that comply with Innovation, Science and Economic Development Canada's licence-exempt RSS(s). Operation is subject to the following two conditions:

1. This device may not cause interference.
2. This device must accept any interference, including interference that may cause undesired operation of the device.

L'émetteur/récepteur exempt de licence contenu dans le présent appareil est conforme aux CNR d'Innovation, Sciences et Développement économique Canada applicables aux appareils radio exempts de licence. L'exploitation est autorisée aux deux conditions suivantes :

1. L'appareil ne doit pas produire de brouillage;
2. L'appareil doit accepter tout brouillage radioélectrique subi, même si le brouillage est susceptible d'en compromettre le fonctionnement.

Declaration of Conformity

Hereby, Anker Innovations Limited declares that the product type T2501 is in compliance with Directives 2014/35/EU & 2014/30/EU.

The full text of the EU declaration of conformity is available at the following internet address:
<https://www.eufylife.com/>

Anker Innovations Limited

Room 1318-19, Hollywood Plaza, 610 Nathan Road, Mongkok, Kowloon, Hong Kong

AUSTRALIA & NEW ZEALAND WARRANTY

This document details the terms and conditions of the warranty provided with this product.

Please disregard any other representations contained on this product's packaging or provided with this product, which constitute or appear to constitute a warranty.

Subject to the exclusions and limitations set out below, we warrant to you that if you purchase a product directly from us, or, from any of our authorized resellers, that it will not contain defects which are a result of faulty manufacturer workmanship or materials. This warranty subsists for

24 months from the date of purchase. This warranty is provided in addition to your rights under the Australian & New Zealand Consumer Law.

Subject to any rights you have under the Australian & New Zealand Consumer Law, we will not be liable for defects which are a result of damage or loss caused by factors beyond our control, any product which has not been maintained according to any care or maintenance instructions provided with the product, any alterations to a product which are not performed by us, or damage or defects caused to the product due to unusual or non-recommended use. We will not be liable for any special, indirect, consequential or economic loss or damage or loss of profits whatsoever suffered by you or any other person resulting from any act or omission by us. Our total liability in respect of this Warranty against Defects is limited to the replacement of the goods.

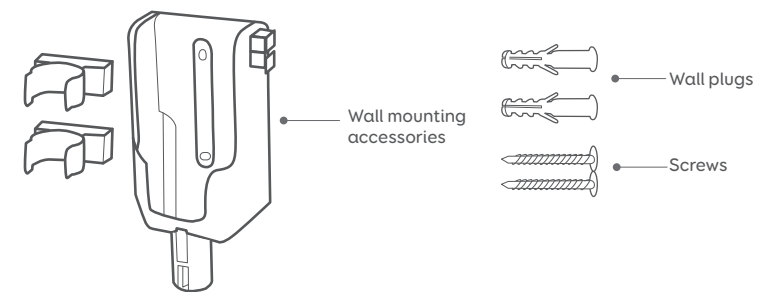
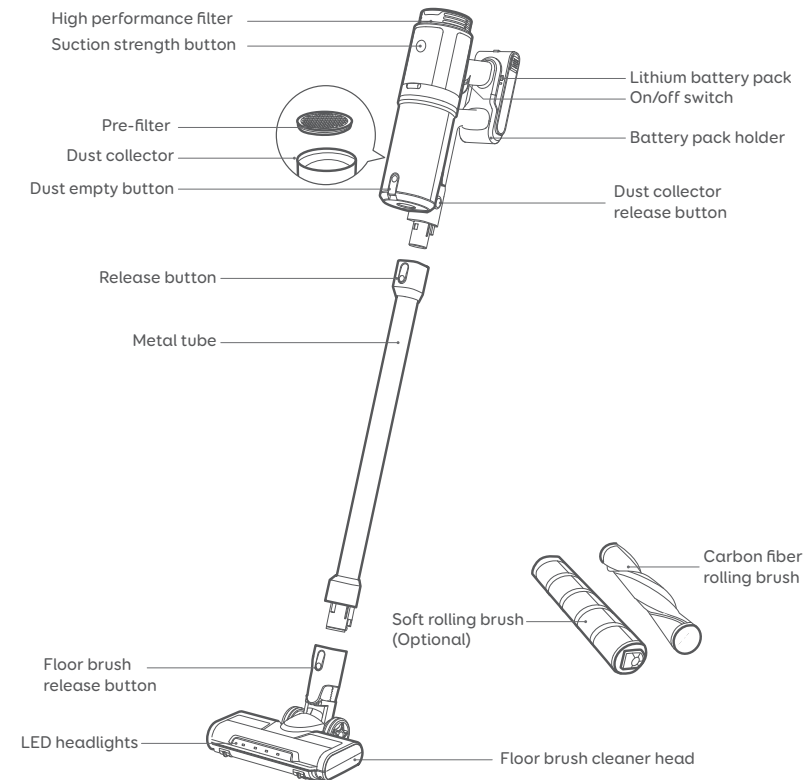
This Warranty against Defects is provided in addition to other rights and remedies that you may have at law. Our goods come with guarantees that cannot be excluded under the Australian Consumer Law. You are entitled to a replacement or refund for a major failure and for compensation for any reasonably foreseeable loss or damage. You are also entitled to have the goods repaired or replaced if the goods fail to be of acceptable quality and the failure does not amount to a major failure.

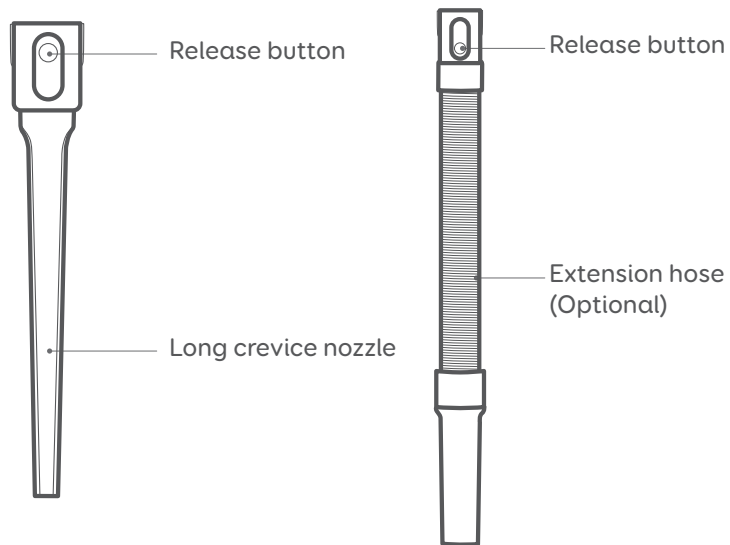
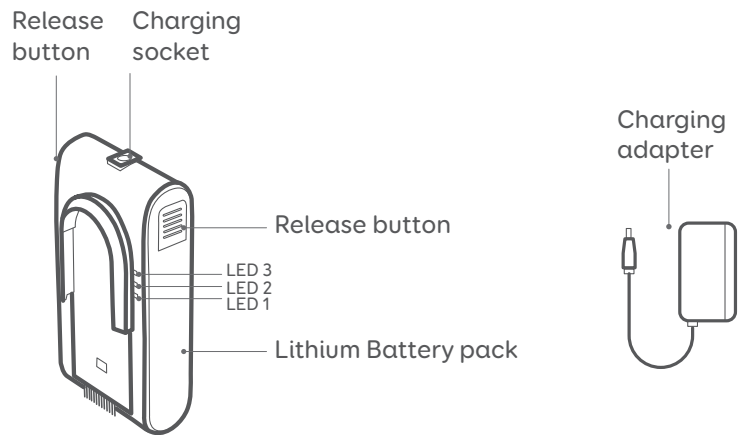
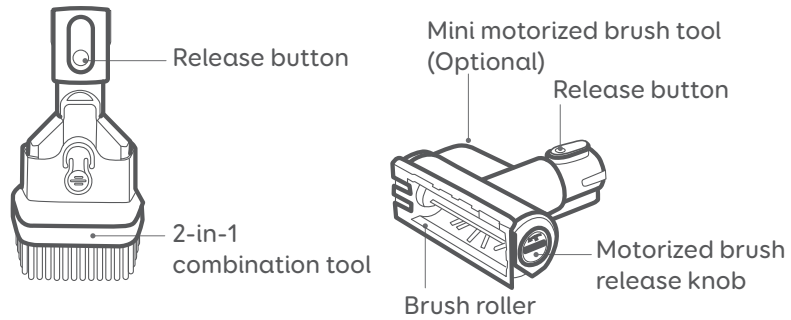
In order to claim the warranty, you must return the product to the retailer from which it was purchased or if that retailer is part of a National network, a store within that chain, along with satisfactory proof of purchase. The retailer will then return the goods to Directed Electronics Australia authorized by Anker Innovations Limited. Directed Electronics Australia will repair, replace or refurbish the product at its discretion. The retailer will contact you when the product is ready for collection. All costs involved in claiming this warranty, including the cost of the retailer sending the product to Directed Electronics Australia, will be borne by you.

This warranty is offered by Directed Electronics Australia.

Customer service support number (+61) 3 8331 4800 Mon-Fri 8:30am - 5:00pm (AEST) and customer service email address support@myanker.com.au.

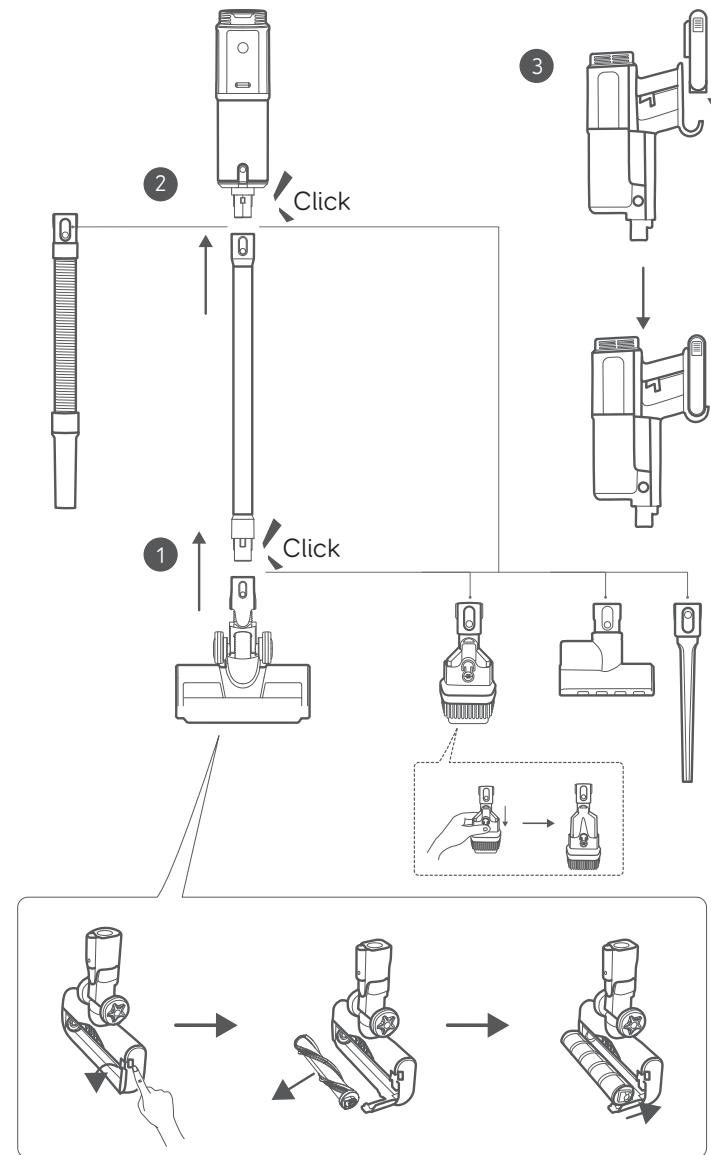
Overview






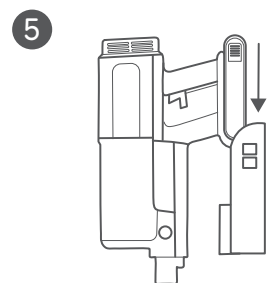
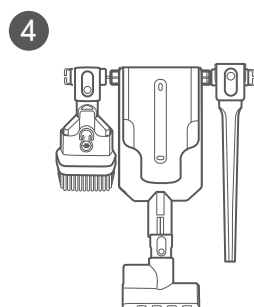
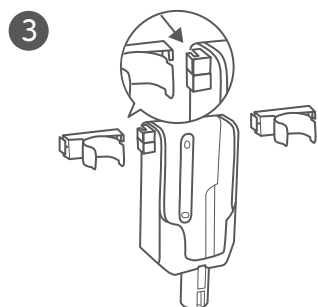
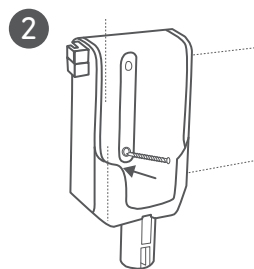
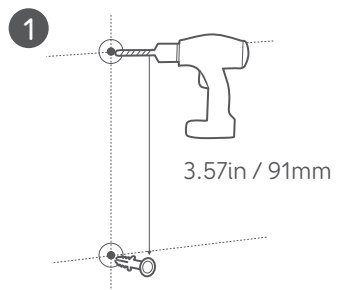
Assembling

Attach your desired cleaning accessory to the metal tube as illustrated.




Wall Mounting

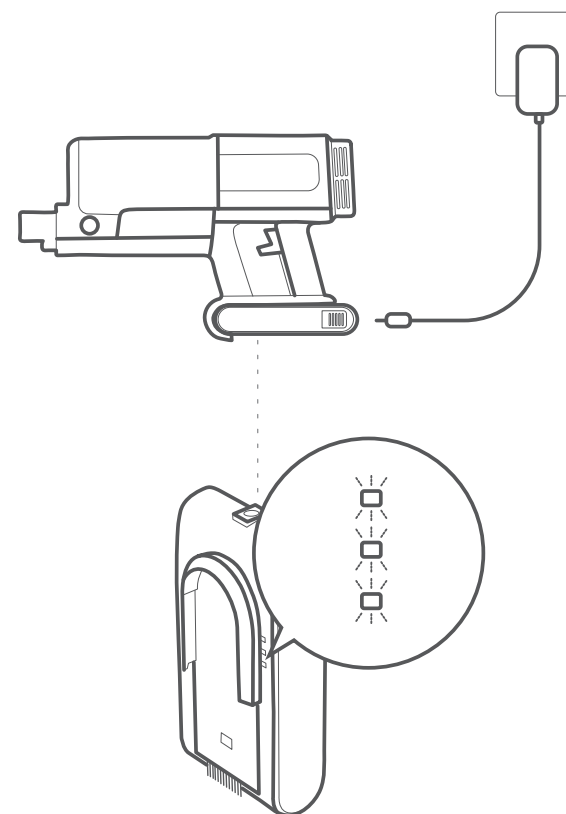
 The vacuum cleaner cannot stand on its own. Make sure it is mounted securely.



Recharging

The vacuum cleaner is powered by the built-in lithium battery. Before first use, charge the battery for more than 3.5 hours.

-  The vacuum cleaner cannot work while charging.
- The vacuum cleaner cannot be charged when the ambient temperature is above 35°C.



Lights during charging

	LED 1: flashing blue Charging, low battery		LED 1: solid blue LED 2: flashing blue Charging, medium battery
	LED 1 & 2: solid blue LED 3: flashing blue Charging, nearly full		LED 1 & 2 & 3: solid blue, then off after 5 minutes
	Fully charged		Fully charged

Lights during vacuuming

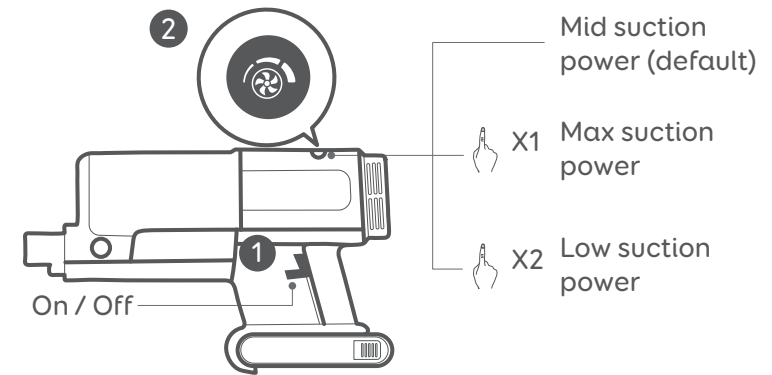
	LED 1 & 2 & 3: solid blue High battery level		LED 1: solid blue Low battery level
	LED 1 & 2: solid blue Medium battery level		LED 1: flashing blue for 8 times, then off Empty, needs charging

Lights when in trouble

	LED 1: slowly flashing red for 8 times, then off	Overhigh temperature
	LED 1: slowly flashing red for 12 times, then off	Battery fault
	LED 1: quickly flashing red for 8 times, then off	Motor fault

Using

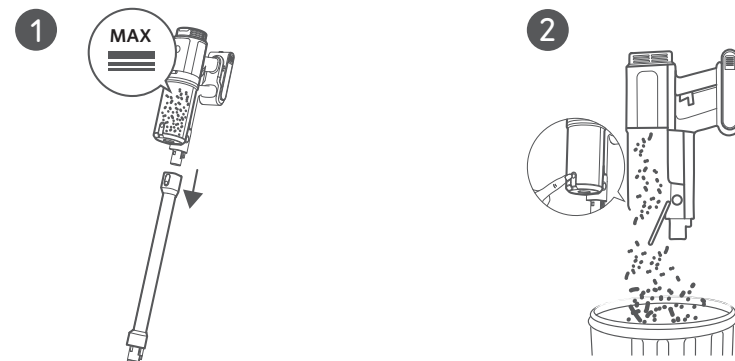
- Before use, make sure that
 - the battery is fully charged.
 - the dust collector and filters are cleaned, dried, and fixed in place.



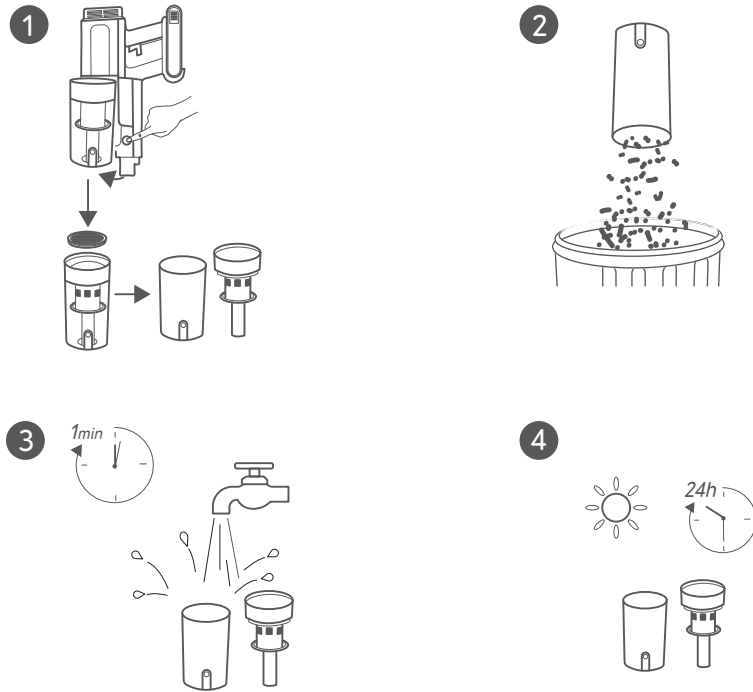
- Do not use to clean up water.

Maintenance

Empty the Dust Collector

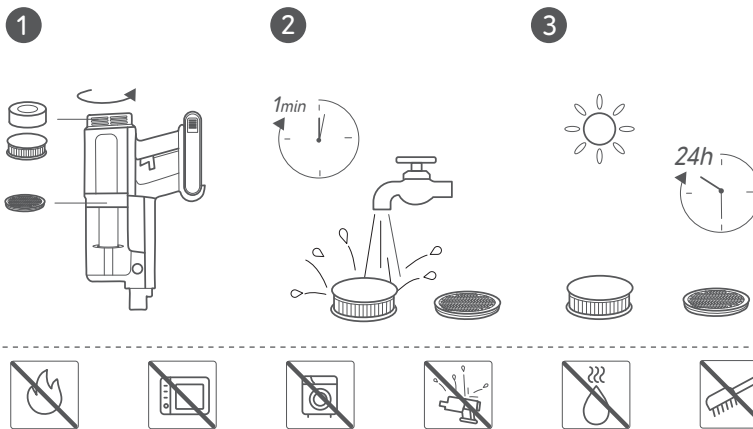


Clean the Dust Collector



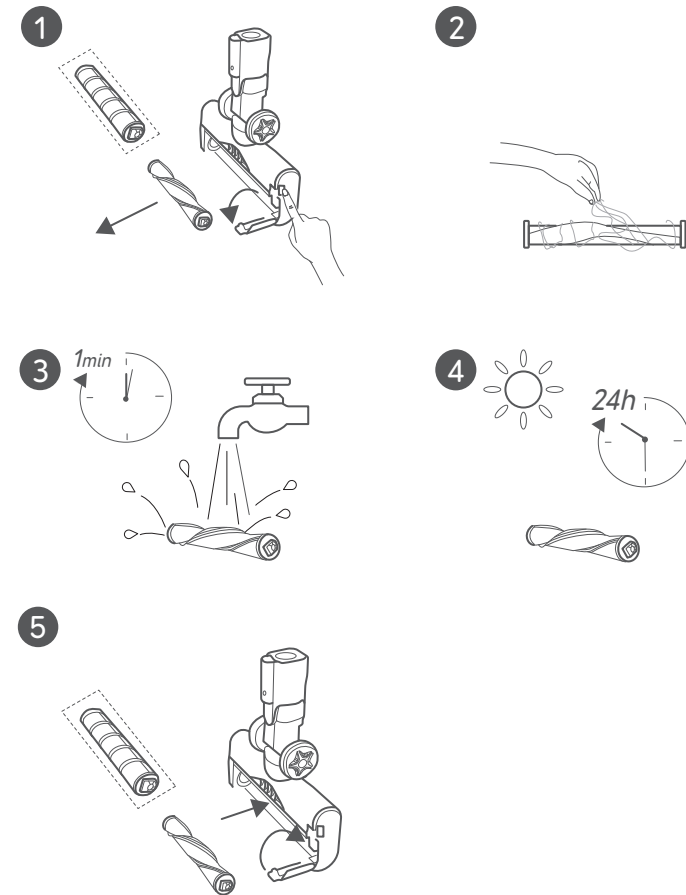
Clean the Filters

Wash the filters with cold water at least once every month. Ensure the filters are completely dry before reassembly.

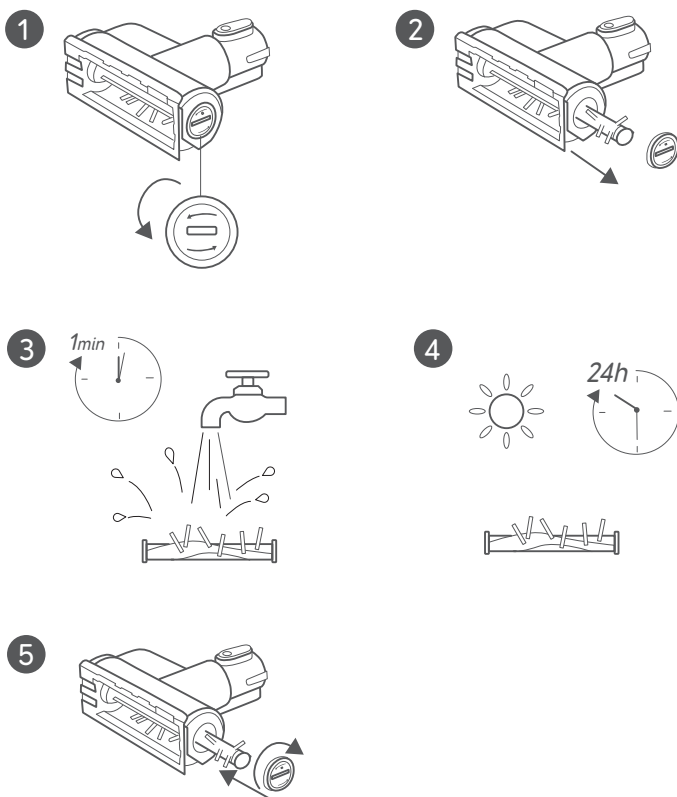


HomeVac Part	Cleaning Frequency	Replacement Frequency
Dust collector	After each use	-
Filter	Once every week (Twice a week if you have a pet)	Every 6 months or after every 50 rounds of cleaning

Clean the Rolling Brushes



Clean the Mini Motorized Brush



Specifications

Model	T2501
Charging Input	30V $\overline{\text{---}}$ 0.8A
Rated Power	350W
Running Time	Max. 40 minutes (one battery)
Battery Cell Capacity	2500 mAh
Battery Rating	DC25.2V Li-ion 2500mAh 63Wh
Charging Time	3.5 hours

Tabla de contenidos

16	Instrucciones de seguridad importantes
19	Descripción general
21	Montaje
22	Montaje en pared
23	Carga
25	Uso
25	Mantenimiento
29	Especificaciones
29	Servicio de atención al cliente

Gracias por adquirir este dispositivo. Lea detenidamente todas las instrucciones antes de utilizar este producto y conserve este manual para referencia futura.

Instrucciones de seguridad importantes

LEA TODAS LAS INSTRUCCIONES ANTES DE UTILIZAR LA ASPIRADORA

ADVERTENCIA. PARA REDUCIR EL RIESGO DE INCENDIO, DESCARGA ELÉCTRICA O LESIONES:

- Utilice únicamente los cargadores (US: YLS0241A-T300080; UK: YLS0241A-U300080; AU: YLS0241A-A300080; EU: YLS0241A-E300080) especificados por el fabricante para la recarga. Un cargador apto para un tipo de batería específico podría provocar un riesgo de incendio si se utiliza con una batería distinta.
- Esta aspiradora la pueden utilizar niños a partir de 8 años y personas con facultades físicas, sensoriales o mentales reducidas, así como con falta de experiencia y conocimientos, si se les ha proporcionado supervisión o instrucciones acerca del uso de la aspiradora de forma segura y entienden los riesgos involucrados. No permita que los niños jueguen con la aspiradora. No permita que los niños realicen la limpieza y el mantenimiento sin supervisión.
- Antes de desechar el dispositivo, se debe extraer la batería.
- El dispositivo se debe desconectar del suministro eléctrico cuando se vaya a extraer la batería.
- La batería usada se debe colocar en una bolsa de plástico sellada y se debe desechar de forma segura y de conformidad con las normativas ambientales locales.
- La aspiradora se debe montar por completo antes del uso.
- La aspiradora está diseñada exclusivamente para el uso doméstico.
- No utilice la aspiradora en exteriores ni sobre superficies mojadas.
- No deje la aspiradora sin supervisión cuando esté conectada al suministro eléctrico. Desconéctela de la toma de corriente cuando no vaya a utilizarla y antes de realizar las tareas de mantenimiento.
- No permita el uso de la aspiradora como un juguete. Se requiere supervisión atenta tanto si los niños utilizan la aspiradora como si se utiliza cerca de ellos.
- Utilice la aspiradora según las instrucciones descritas en este manual. Utilice únicamente los accesorios recomendados por el fabricante.
- Para recargar la batería, utilice únicamente la fuente de alimentación extraíble suministrada con el dispositivo.
- No utilice la aspiradora si el cable o el enchufe están dañados. Si la aspiradora no funciona como debería, se ha caído, ha sufrido algún daño o se ha sumergido en agua, póngase en contacto con el servicio de atención al cliente para obtener asistencia.
- No toque el enchufe ni el dispositivo con las manos mojadas.
- No desenchufe la aspiradora tirando del cable. Para desenchufarla, tire del enchufe, no del cable.
- No tire del cable cerca de bordes o esquinas afiladas. No pase la aspiradora por encima del cable. Mantenga el cable alejado de superficies calientes.
- No coloque ningún objeto en las aberturas o salidas de aire. No utilice la aspiradora si alguna de las aberturas está bloqueada. Manténgalas libres de polvo, pelusas, cabello y cualquier otra cosa que pueda reducir el flujo de aire.
- Mantenga el cabello, la ropa suelta, los dedos y otras partes del cuerpo alejados de las aberturas y las piezas móviles.
- Apague todos los controles antes de desenchufar el dispositivo.
- Extreme la precaución al utilizar la aspiradora en escaleras.
- Apague siempre la aspiradora antes de conectar o desconectar el cepillo motorizado para el suelo.
- Para evitar que la aspiradora se encienda accidentalmente, asegúrese de que esté desconectada antes de instalar la batería, levantar la aspiradora o transportarla. No transporte la aspiradora con el dedo sobre el interruptor de encendido, ya que esto podría provocar un accidente.
- No utilice la aspiradora para recoger líquidos inflamables o combustibles, como gasolina, ni en lugares donde haya presencia de dichos líquidos.
- No utilice la aspiradora para recoger objetos que estén ardiendo o que echen humo, como colillas de cigarrillos, cerillas o cenizas calientes.
- No utilice la aspiradora para recoger objetos duros o afilados, como vidrio, clavos, tornillos, monedas, etc.
- No utilice la aspiradora sin el depósito de polvo o los filtros instalados.
- Guarde la aspiradora en un lugar interior, fresco y seco.
- Asegúrese de que la tensión de la toma de corriente corresponda con la tensión que se indica en la etiqueta del cargador.
- No intente reparar ni desmontar la aspiradora. No contiene piezas que el usuario pueda reparar. Un técnico cualificado debe encargarse de realizar las tareas de reparación o mantenimiento, y deberá utilizar únicamente piezas de repuesto idénticas. Esto garantizará que se mantenga la seguridad de la aspiradora.

- La aspiradora está equipada con una batería recargable de iones de litio. No exponga la batería ni el dispositivo al fuego o a temperaturas excesivas (superiores a 130 °C), ya que podrían incendiarse o explotar.
- No utilice una batería dañada o modificada, ya que podría incendiarse o explotar.
- Cargue, utilice y almacene la aspiradora en un rango de temperatura ambiente de 8 a 35 °C.
- Respete todas las instrucciones de carga y no cargue la batería fuera del rango de temperatura especificado en las instrucciones; de lo contrario, la batería podría sufrir daños y aumentar el riesgo de incendio.
- No intente desmontar la batería.

CONSERVE ESTAS INSTRUCCIONES



Este símbolo en el dispositivo o en su embalaje indica lo siguiente:

No deseche los aparatos eléctricos como residuos urbanos sin clasificar; utilice instalaciones de recogida independientes. Póngase en contacto con las autoridades locales para obtener información acerca de los sistemas de recogida disponibles. Si se desechan dispositivos eléctricos en vertederos o basureros, pueden filtrarse sustancias peligrosas hasta las aguas subterráneas y llegar a la cadena alimenticia, lo que supondría un daño para su salud y bienestar. Al cambiar dispositivos antiguos por nuevos, el minorista tiene la obligación legal de recuperar el dispositivo antiguo para su eliminación, sin cargo alguno.

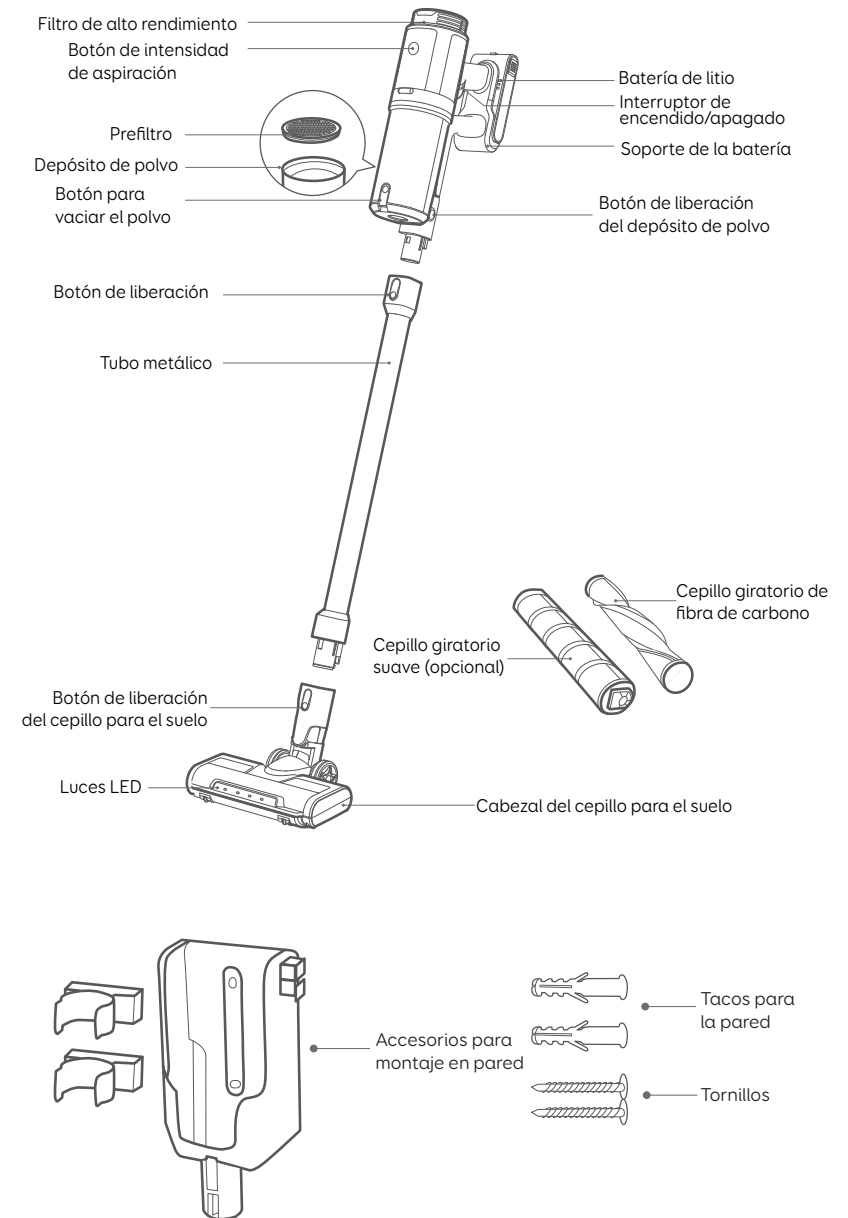
Declaración de conformidad

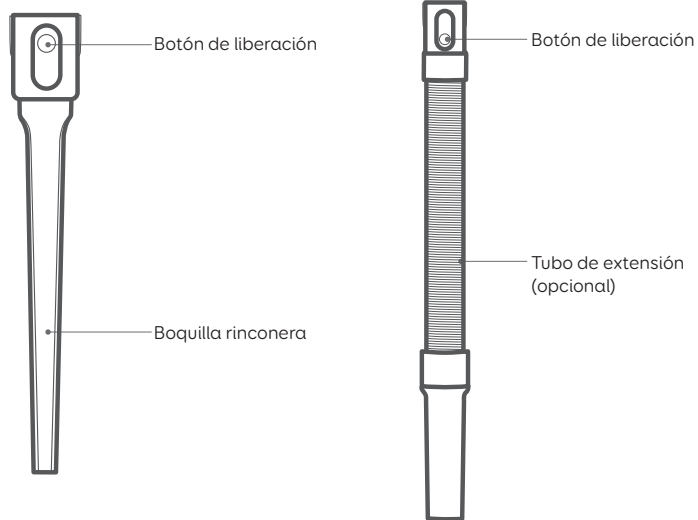
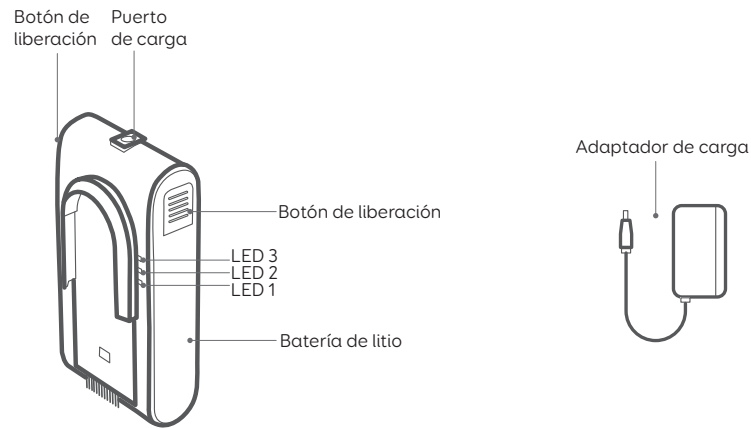
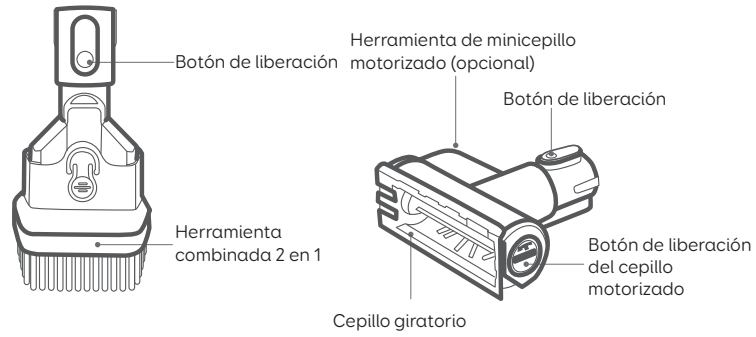
Por la presente, Anker Innovations Limited declara que el producto tipo T2501 cumple con las Directivas 2014/35/EU y 2014/30/EU.

El texto completo de la declaración de conformidad de la UE está disponible en la siguiente dirección de Internet:

<https://www.eufylife.com/>

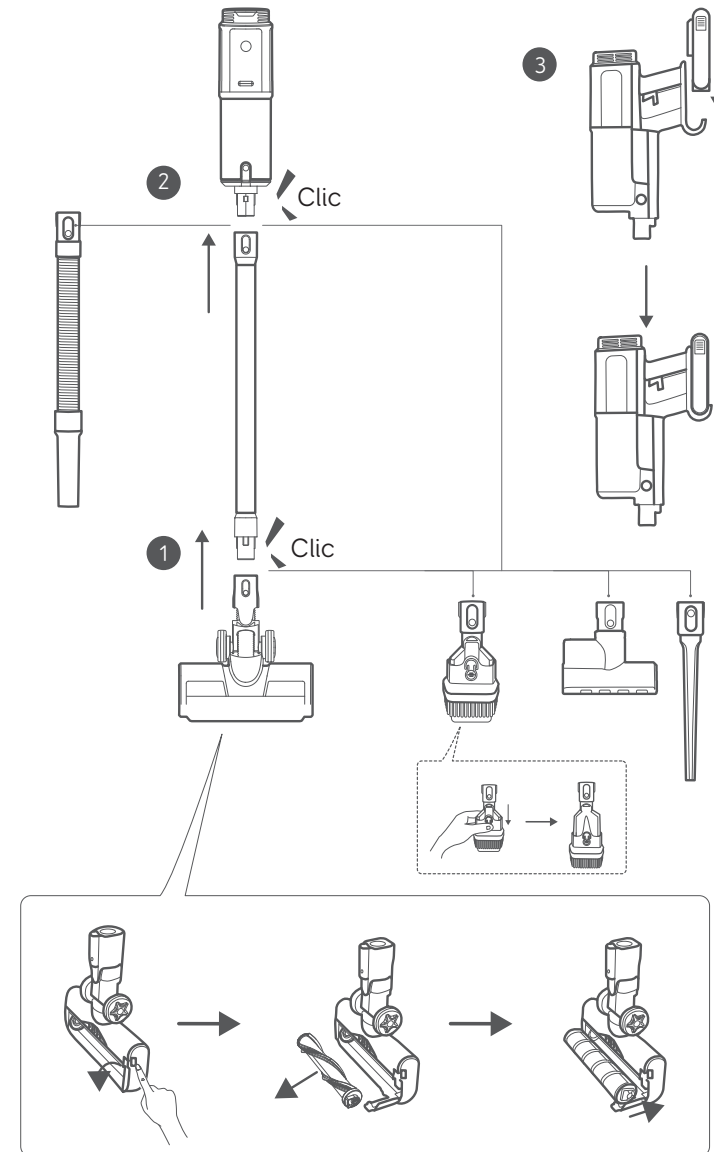
Descripción general






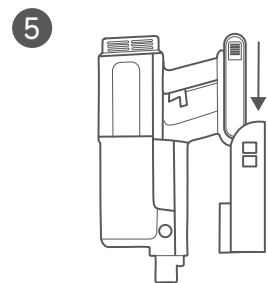
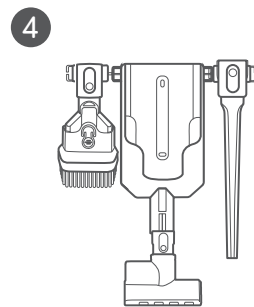
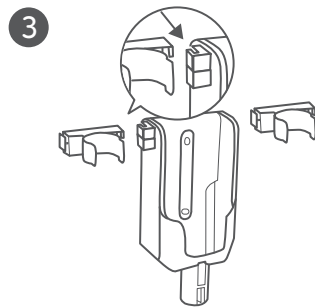
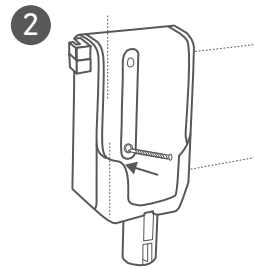
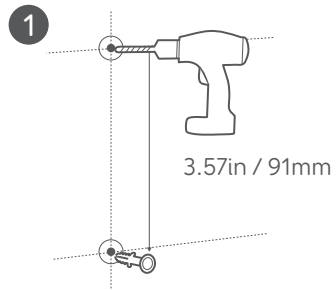
Montaje

Coloque el accesorio de limpieza que desee utilizar en el tubo metálico según de indica en la imagen.




Montaje en pared

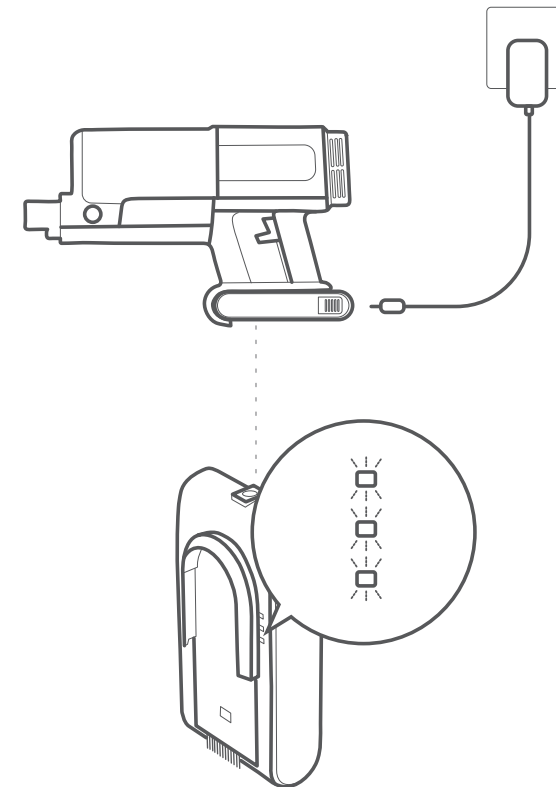
 La aspiradora no se puede sostener sola. Asegúrese de que esté montada en el soporte correctamente.



Carga

La aspiradora recibe alimentación de la batería de litio integrada. Antes del primer uso, cargue la batería por más de 3.5 horas.

 • La aspiradora no se puede utilizar durante la carga.
• La aspiradora no se puede cargar cuando la temperatura ambiente supere los 35 °C.



Indicadores luminosos durante la carga

	LED 1: azul intermitente		LED 2: azul intermitente
	Carga en curso, batería baja		Carga en curso, batería media
	LED 1 y 2: azul fijo		LED 3: azul intermitente
	Carga en curso, casi completa		Carga completa

5 Mins

Indicadores luminosos durante la aspiración

	LED 1, 2 y 3: azul fijo		LED 1: azul fijo
	Nivel de batería alto		Nivel de batería bajo
	LED 1 y 2: azul fijo		LED 1: azul intermitente 8 veces, luego se apaga
	Nivel de batería medio		Batería baja, requiere carga

x8

Indicadores luminosos cuando surge un problema

	LED 1: rojo intermitente lento 8 veces, luego se apaga	Temperatura demasiado alta
	LED 1: rojo intermitente lento 12 veces, luego se apaga	Error de la batería
	LED 1: rojo intermitente rápido 8 veces, luego se apaga	Error del motor

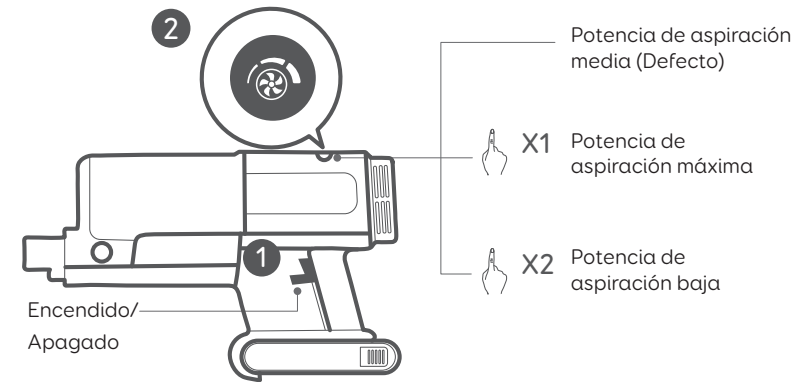
x8

x12

x8

Uso

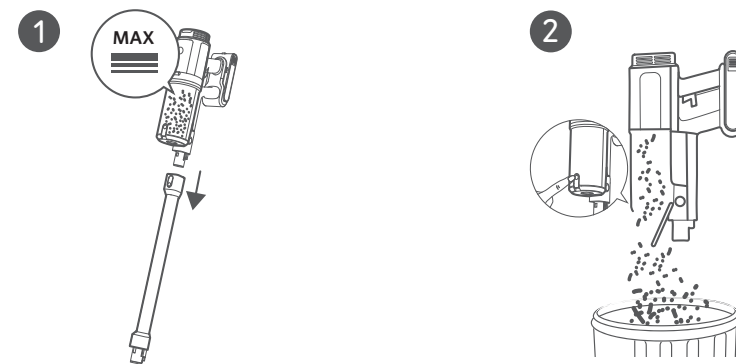
- Antes del uso, asegúrese de que:
- La batería esté totalmente cargada.
 - El depósito de polvo y los filtros estén limpios, secos e instalados en su lugar.



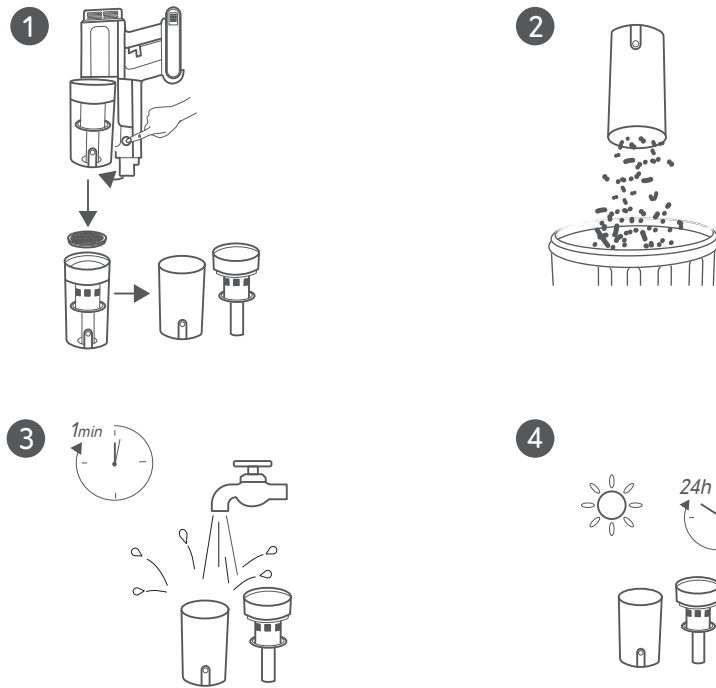
No utilice la aspiradora para recoger agua.

Mantenimiento

Vaciado del depósito de polvo

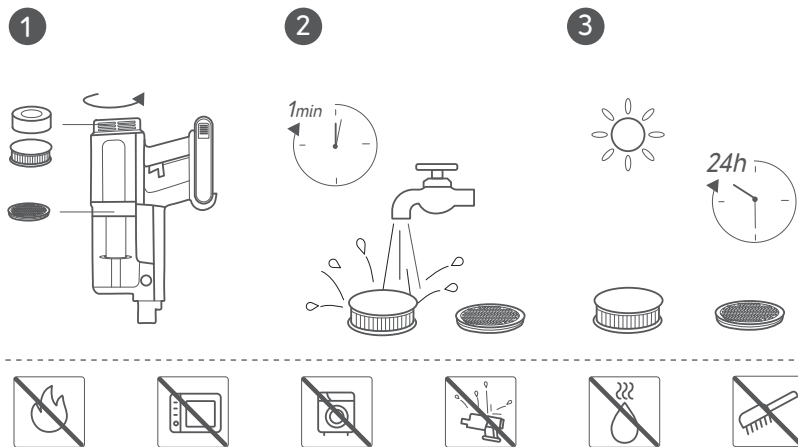


Limpieza del depósito de polvo



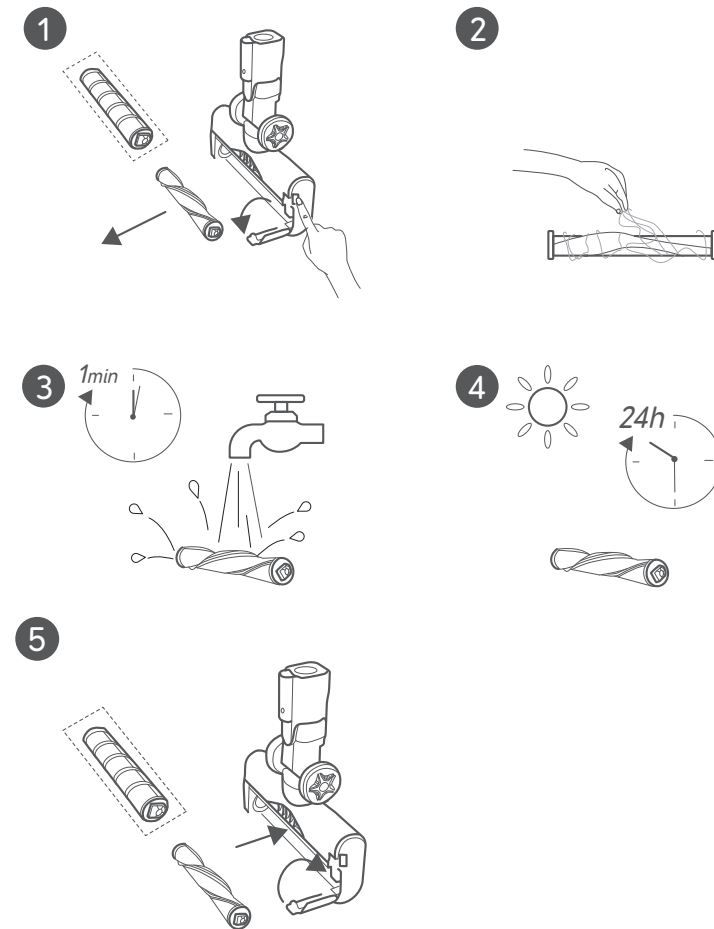
Limpieza de los filtros

Lave los filtros con agua fría al menos una vez al mes. Asegúrese de que los filtros estén completamente secos antes de volver a instalarlos.

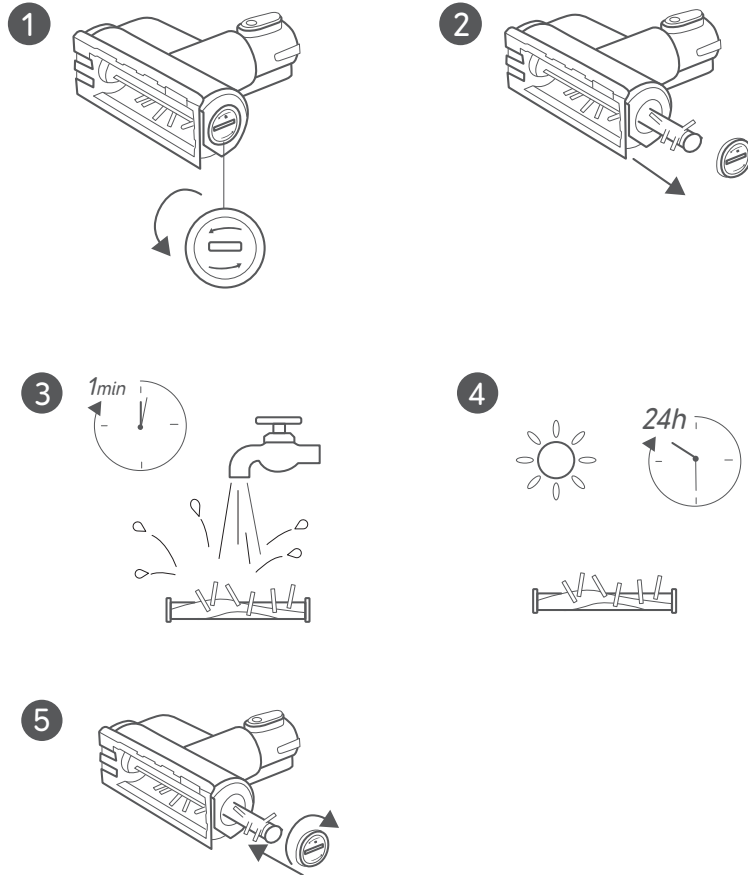


Pieza del HomeVac	Frecuencia de limpieza	Frecuencia de sustitución
Depósito de polvo	Después de cada uso	-
Filtro	Una vez por semana (Dos veces por semana si hay mascotas)	Cada 6 meses o tras 50 ciclos de limpieza

Limpieza de los cepillos giratorios



Limpieza del minicepillo motorizado



Especificaciones

Modelo	T2501
Entrada de carga	30 V 0,8 A
Potencia nominal	350 W
Tiempo de funcionamiento	40 minutos como máximo (una batería)
Capacidad de la celda de batería	2500 mAh
Clasificación de la batería	Batería de iones de litio de 25,2 V CC, 2500 mAh, 63 Wh
Tiempo de carga	3,5 horas

Customer Service | Servicio de atención al cliente

For FAQs and more information, please visit www.eufylife.com.

Para acceder a las preguntas frecuentes y obtener más información, visite www.eufylife.com.

✉ support@eufylife.com

💬 www.eufylife.com



(US) +1 (800) 988 7973 Mon-Fri 9:00am - 5:00pm (PT)

(UK) +44 (0) 1604 936200 Mon-Fri 6:00 - 11:00 (GMT)

(DE) +49 (0) 69 9579 7960 Mo-Fr 6:00 - 11:00

(AU) (+61) 3 8331 4800 (AUS) Mon-Fri 9:00 - 17:00 (AEST)

(中国) +86 400 0550 036 周一至周五 9:00 - 17:30

(日本) +81 03 4455 7823 月-金 9:00 - 17:00

@EufyOfficial
 @EufyOfficial
 @EufyOfficial
 @EufyOfficial

