

# CH160 Series

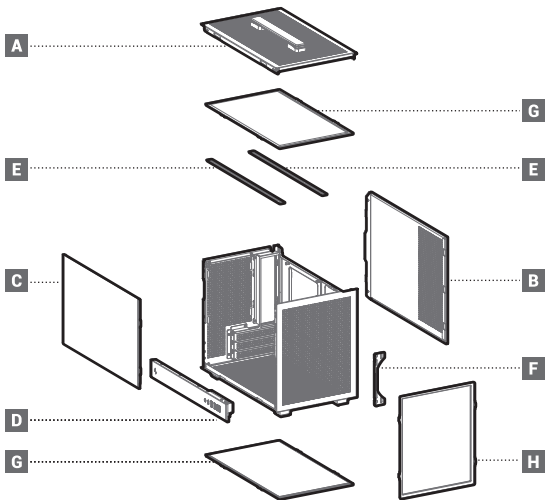
Portable High Airflow MINI-ITX Case

---

DEEPCOOL 



## Case Features

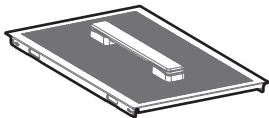


### Case Specifications

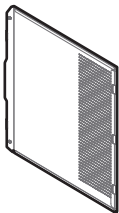
Length:336mm  
Width:200mm  
Height:283mm

Maximum GPU length:305mm  
Maximum PSU length:140mm  
Maximum CPU Cooler length:172mm

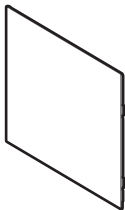
Fan locations:  
Front: 1×120mm  
Top: 2×120mm  
Rear: 1×120mm

**A**

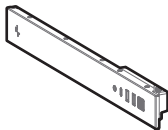
Chassis Top Plate

**x1****B**

Right Side Panel

**x1****C**

Glass Side Panels

**x1****D**

Bezel For IO

**x1**



**E**

Fan Bracket

**×2****F**

Multi-Functional Stand

**×1****G**

Dust proof net A

**×2****H**

Dust proof net B

**×1**

# Accessory Kit Contents

**I**

PSU screws

**×6****J**

Motherboard screws

**×6****K**

HDD screws

**×9****L**

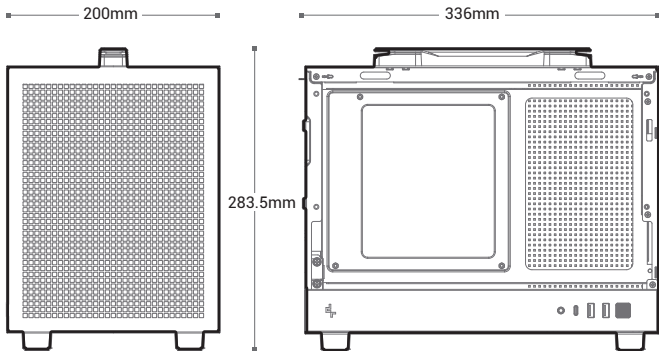
Fan screws

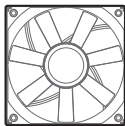
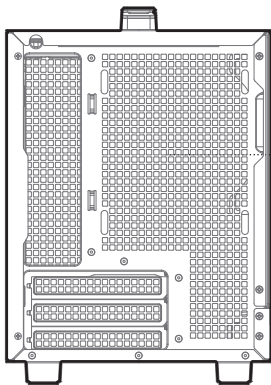
**×12****M**

Cable ties

**×11**

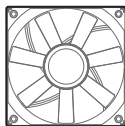
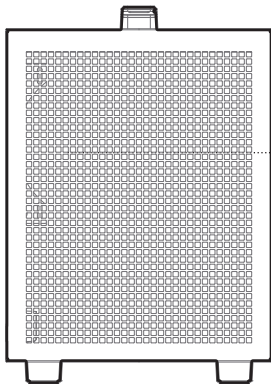
# Specifications





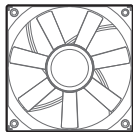
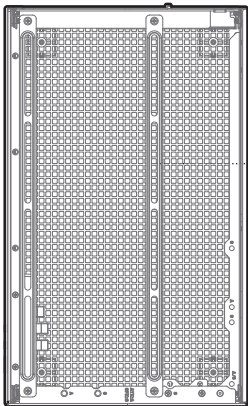
120mm×1

---



120mm×1

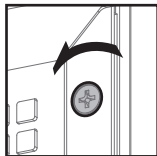
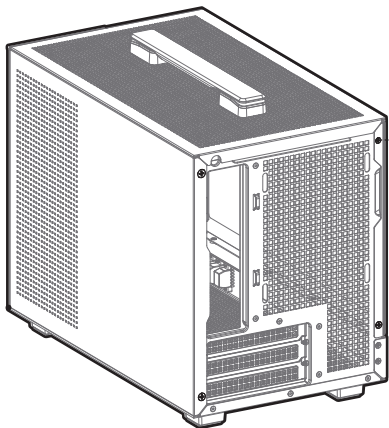
---

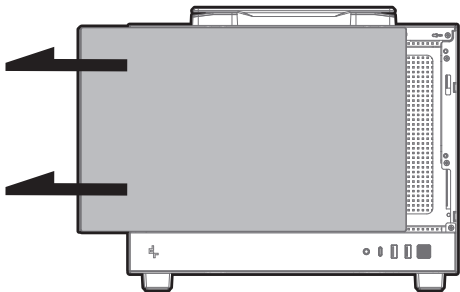


120mm×2

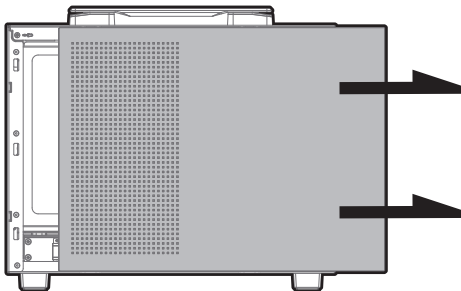
---

## Removing the Side Panel

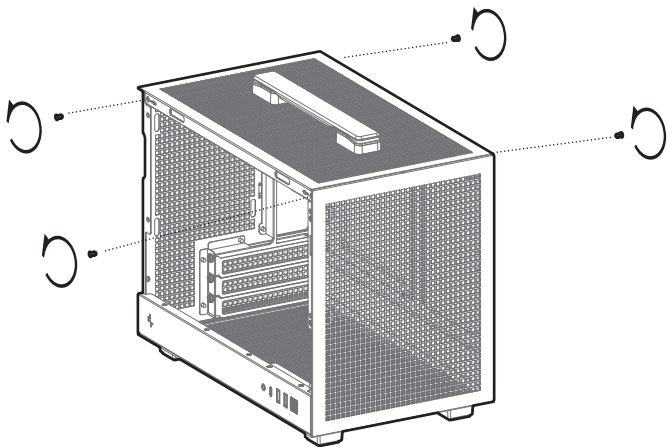


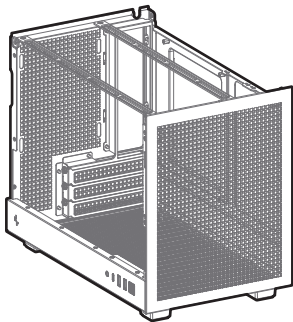
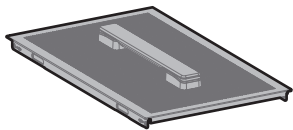






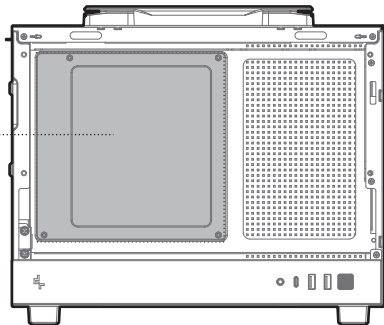
## Removing the Top Panel





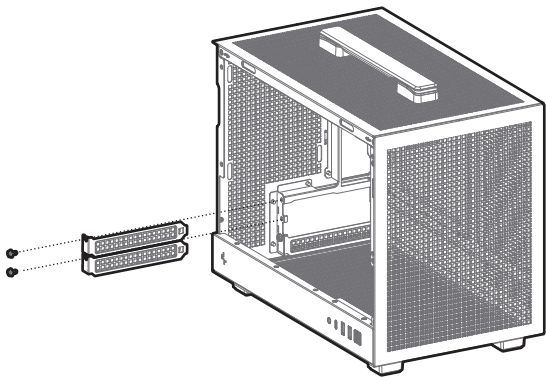
# Installing the Motherboard

Mini-ITX

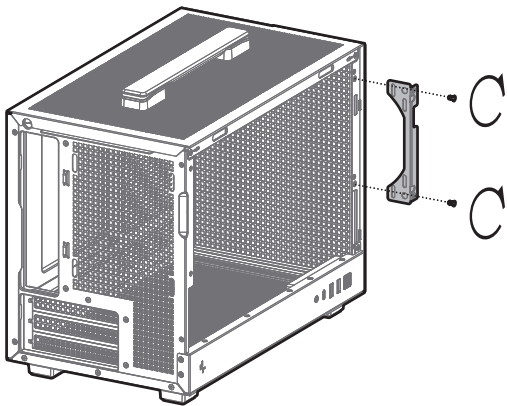


## Installing the GPU

---

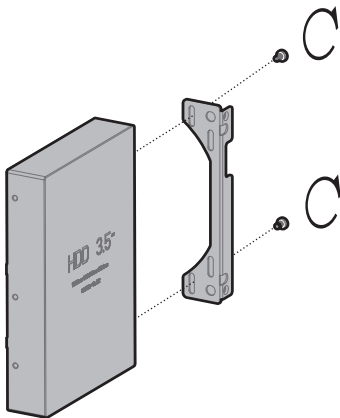


# Multifunctional Bracket - (Choose One of Three)

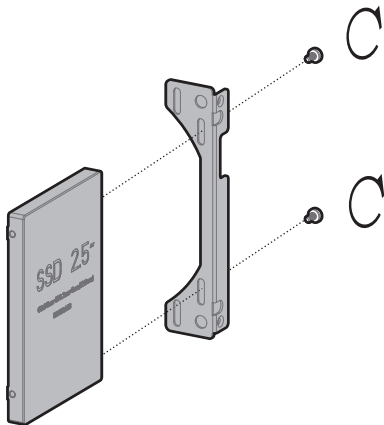


## Installing HDD

---



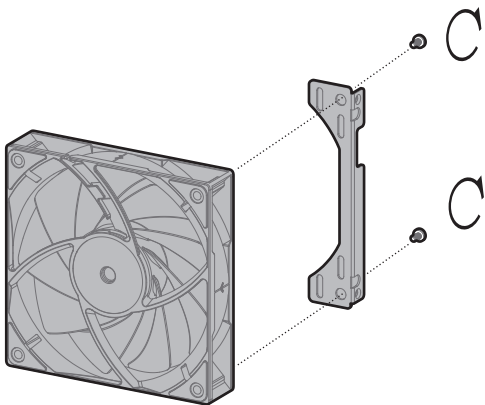
## Installing SSD





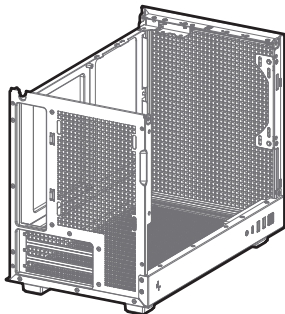
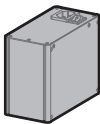
## Installing FAN

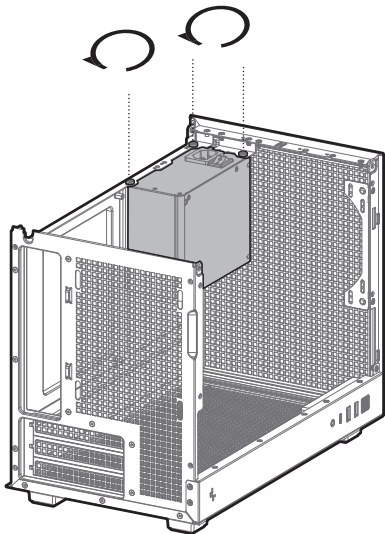
---

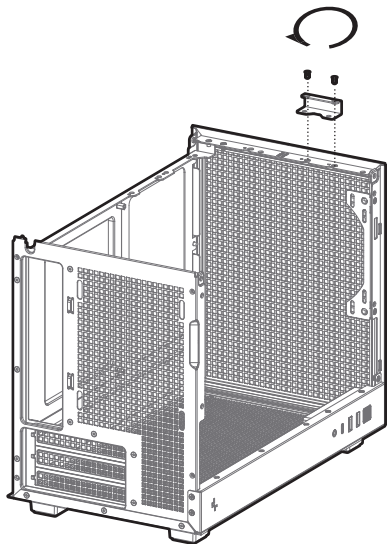


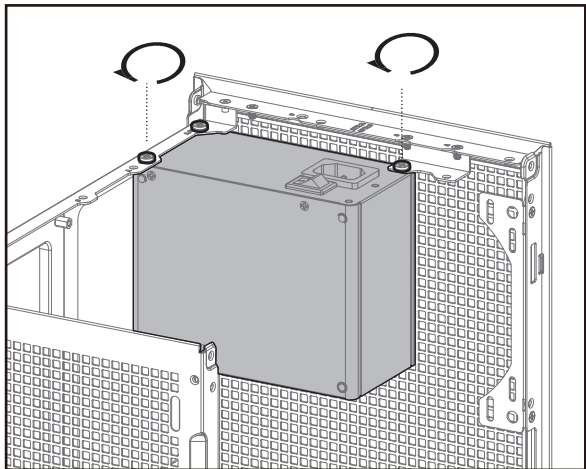
## Installing the Power Supply

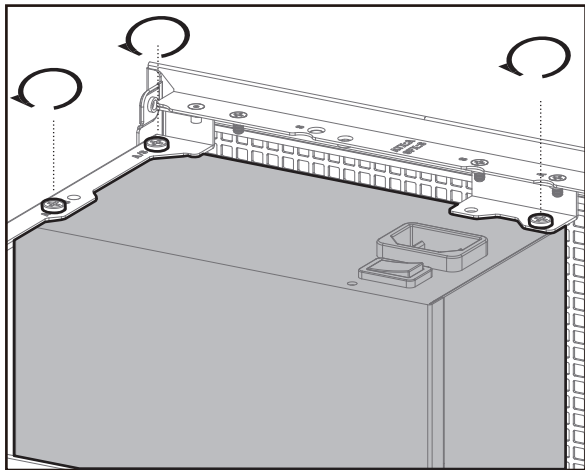
---



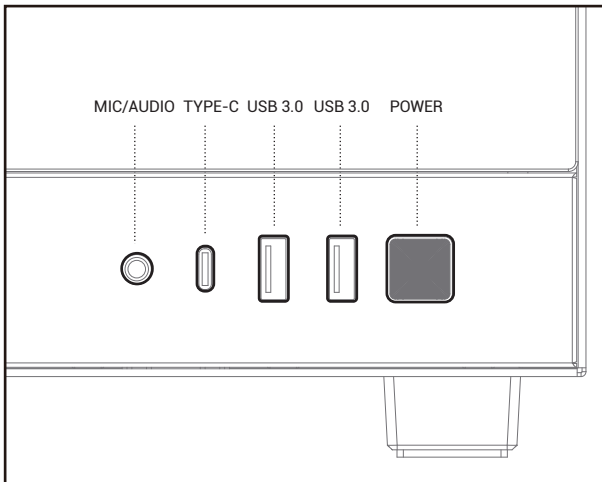








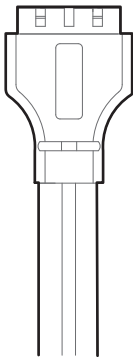
## I/O Panel Introduction



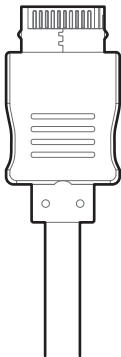
# Installing the Front I/O Connectors

---

USB3.0



TYPE-C



MIC/AUDIO



POWER SW



POWER LED






---

DeepCool USA Inc.  
11650 Mission Park Drive Suite 108., Rancho Cucamonga, CA 91730  
Beijing DeepCool Industries Co., Ltd.  
Building 10, No. 9 Dijin Road, Haidian District, Beijing 100095, China

© 2023 Beijing DeepCool Industries Co., Ltd. All rights reserved.

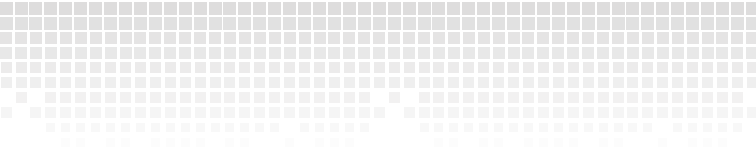
"DeepCool " and other commercial identities are legitimate registered trademarks and commercial identities of the trademarks owner and its affiliates in China and other countries or regions.

Pictures on this package are for reference only, please refer to the actual product.



- 
- EN For more information, please check our website at: [www.deepcool.com](http://www.deepcool.com)
- DE Für weitere Informationen besuchen Sie bitte unsere Website unter: [www.deepcool.com](http://www.deepcool.com)
- FR Pour plus d'informations, merci de visiter notre site internet: [www.deepcool.com](http://www.deepcool.com)
- ES Para más información, por favor, visite nuestra página en: [www.deepcool.com](http://www.deepcool.com)
- IT Per ulteriori informazioni, visitate il nostro sito web: [www.deepcool.com](http://www.deepcool.com)
- PT Para mais informação, visita o nosso website em: [www.deepcool.com](http://www.deepcool.com)
- CS Další informace najdete na našich webových stránkách: [www.deepcool.com](http://www.deepcool.com)
- SV För mer information, gå till vår hemsida på: [www.deepcool.com](http://www.deepcool.com)
- PL Więcej informacji można znaleźć na naszej stronie internetowej: [www.deepcool.com](http://www.deepcool.com)
- TR Daha Fazla bilgi için, lütfen websitemizi ziyaret ediniz: [www.deepcool.com](http://www.deepcool.com)
- RU Больше информации на сайте: [www.deepcool.com](http://www.deepcool.com)
- UK Щоб отримати додаткову інформацію, перегляньте наш веб-сайт: [www.deepcool.com](http://www.deepcool.com)
- KK Көбірек ақпарат алу үшін біздің вебсайтымызға кіріңіз: [www.deepcool.com](http://www.deepcool.com)
- JA 詳細については、以下URL先の公式WEBサイトをご確認ください: [www.deepcool.com](http://www.deepcool.com)
- KO 자세한 내용은 [www.deepcool.com](http://www.deepcool.com) 에서 확인하실 수 있습니다
- AR للمزيد من المعلومات، يرجى زيارة موقعنا على [www.deepcool.com](http://www.deepcool.com)
- TH สำหรับข้อมูลเพิ่มเติม กรุณาเยี่ยมชมเว็บไซต์: [www.deepcool.com](http://www.deepcool.com)
- VI Để biết thêm chi tiết, vui lòng kiểm tra tại website: [www.deepcool.com](http://www.deepcool.com)
- ZH 如需要更多信息, 请浏览网站: [www.deepcool.com](http://www.deepcool.com)
- ZH 如需要更多信息, 請瀏覽網站: [www.deepcool.com](http://www.deepcool.com)
-





---

[www.deepcool.com](http://www.deepcool.com)