

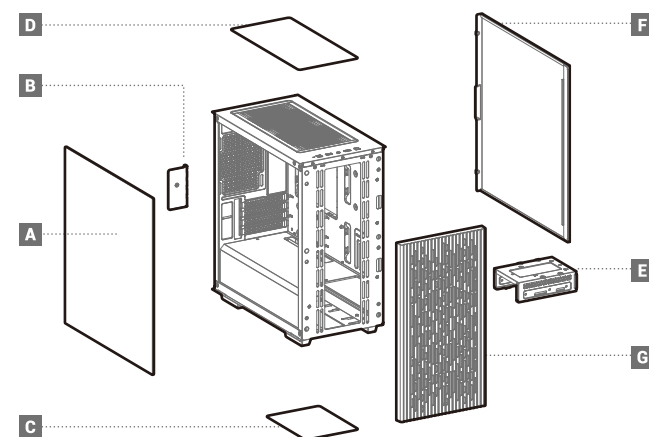
MATREXX 40

Micro-ATX Case



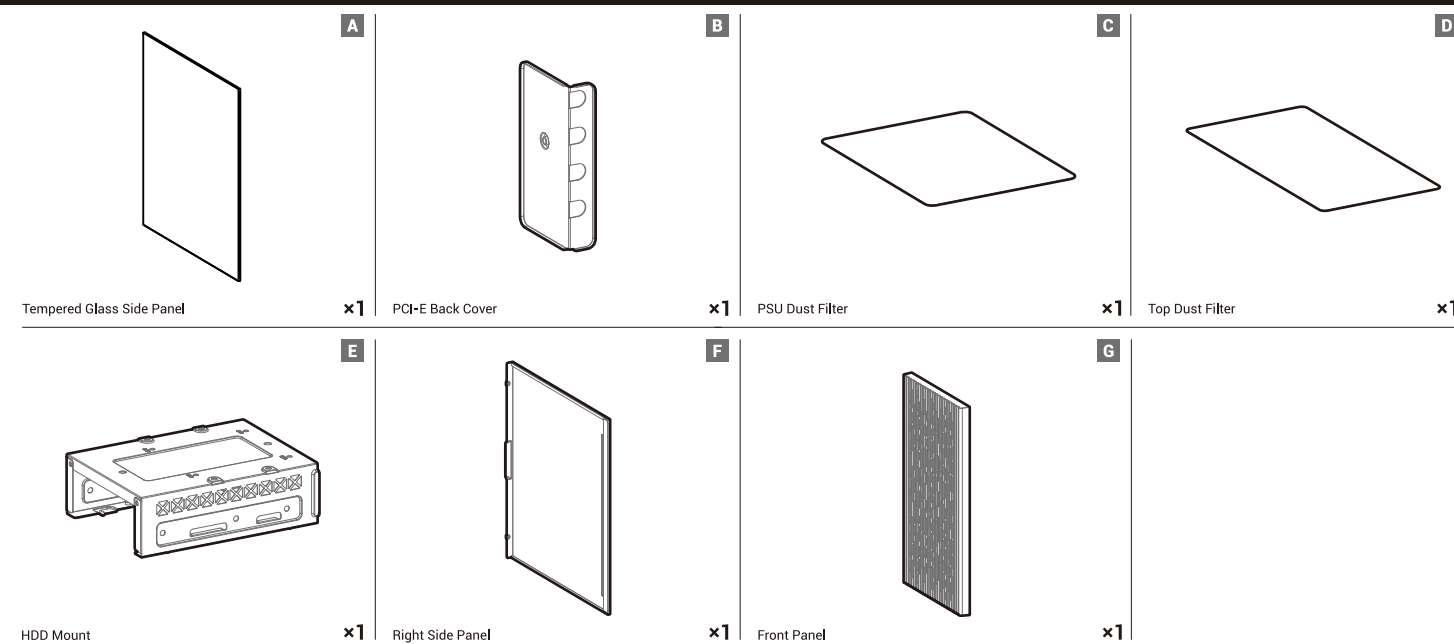
www.deepcool.com

Case Features

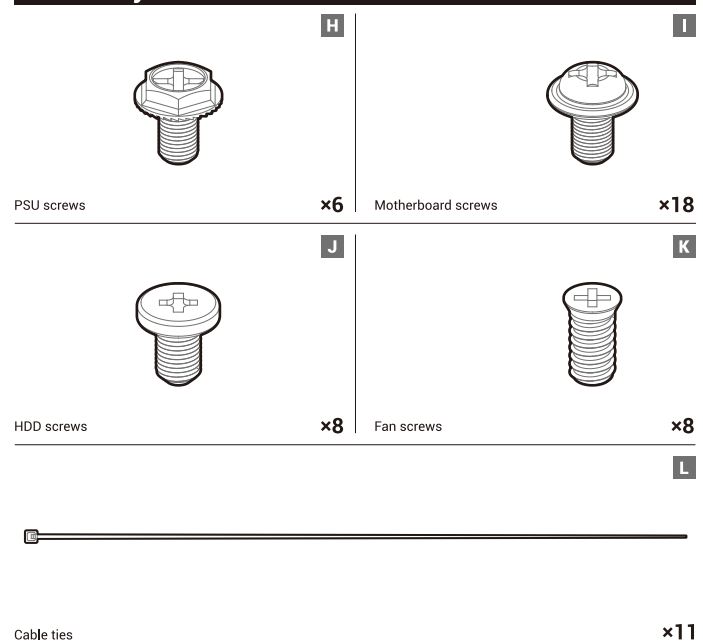


Case Specifications

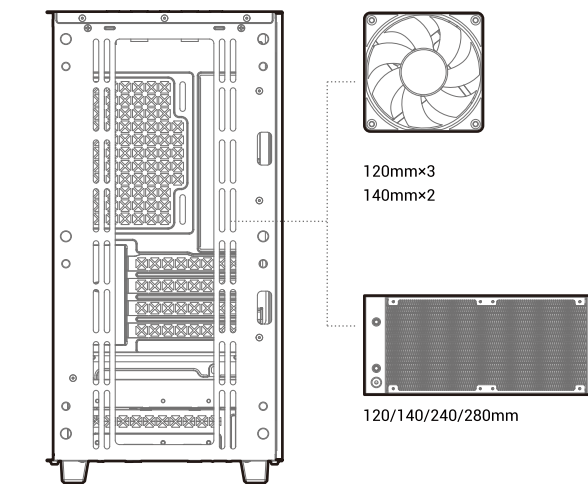
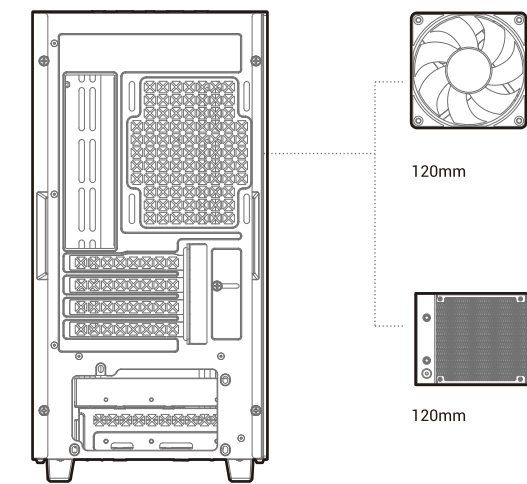
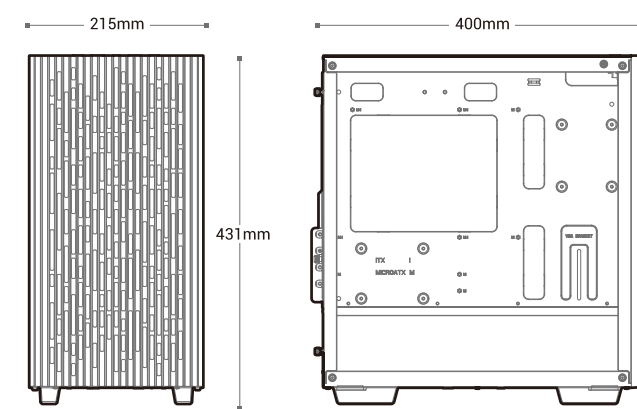
Length: 400mm Maximum GPU length: 320mm Radiator compatibility: Front: 120/140/240/280mm Fan locations: Front: 3x120/2x140mm
 Width: 215mm Maximum PSU length: 160mm Front: 120/140/240/280mm Top: 2x120/2x140mm
 Height: 431mm Maximum CPU cooler height: 165mm Rear: 120mm



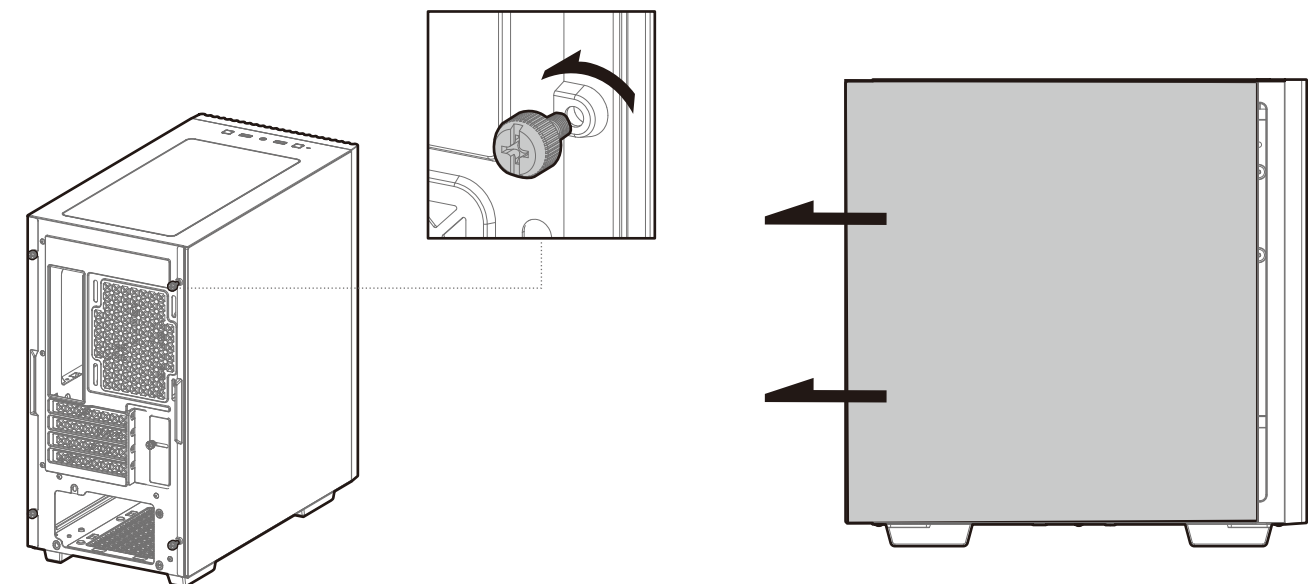
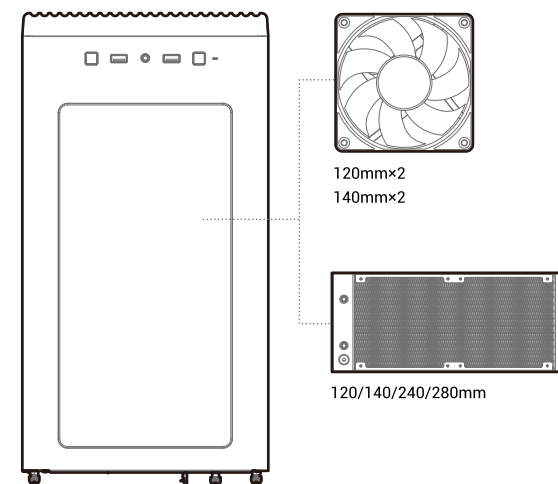
Accessory Kit Contents



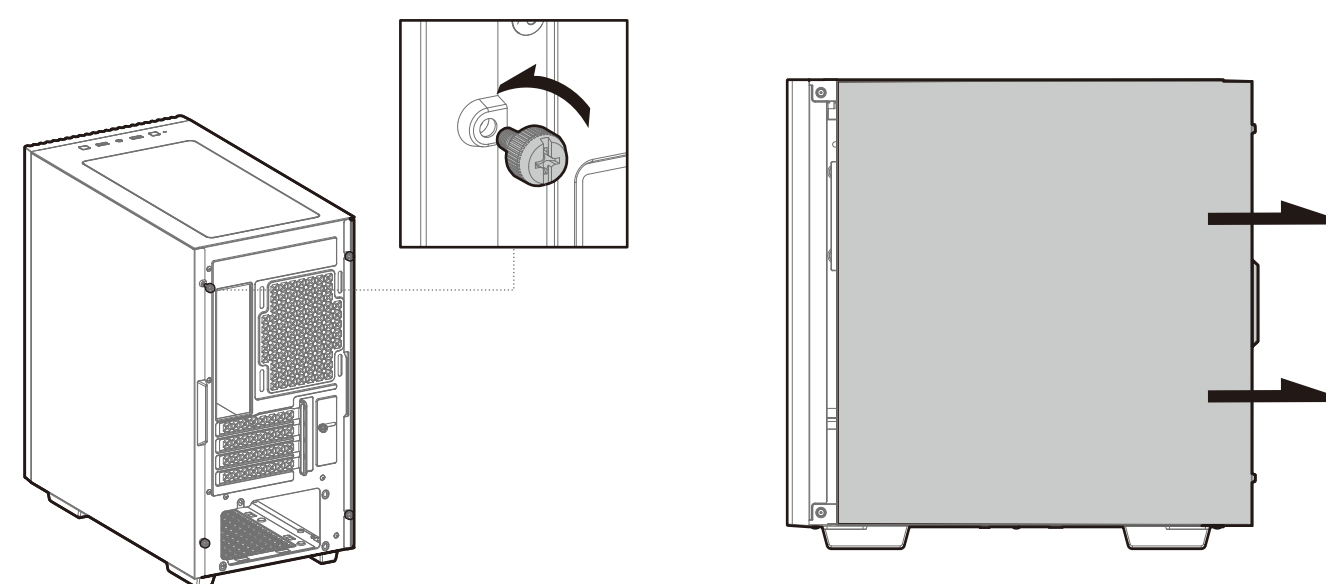
Specifications



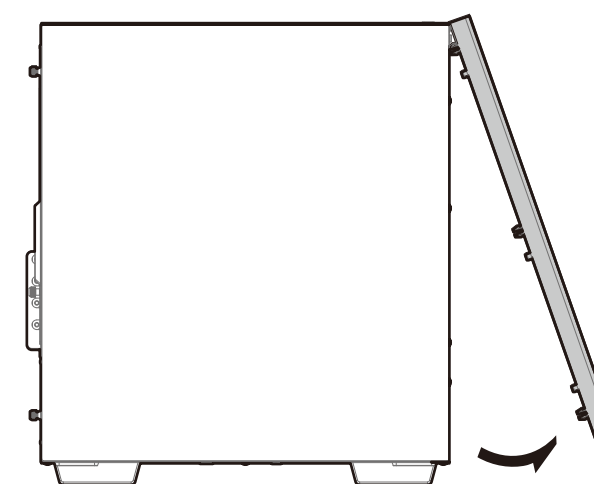
Removing the Tempered Glass Side Panel



Removing the Metal Side Panel



Removing the Front Panel



Installing the Motherboard

