

# JVC

- EN INSTRUCTION MANUAL
- CZ NÁVOD K POUŽITÍ
- PL INSTRUKCJA OBSŁUGI
- SK NÁVOD NA POUŽITIE
- HU HASZNÁLATI UTASÍTÁS
- RO MANUAL DE INSTRUCȚIUNI
- BG РЪКОВОДСТВО ЗА ЕКСПЛОАТАЦИЯ



Portable CD player with CASSETTE/MP3/USB/DAB+/Bluetooth

**RC-E561B-DAB**



## INTRODUCTION

- Thank you for buying our product.
- Please read through these operating instructions, so you will know how to operate your equipment properly. After you finished reading the instructions manual, put it away in a safe place for future reference.

## WARNING

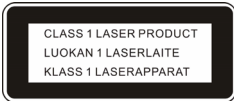
To prevent fire or shock hazard, do not expose this appliance to rain or moisture. To avoid electrical shock, do not open the cabinet; refer servicing to qualified personnel only.

## CAUTION

Use of controls or adjustment or performance of procedures other than those specified herein may result in hazardous radiation exposure.

## DANGER

Invisible laser radiation when open and interlock failed or defeated. Avoid direct exposure to beam.



This Compact Disc player is classified as a Class 1 LASER PRODUCT. THE CLASS 1 LASER PRODUCT label is located on the rear exterior.

*NOTE: The manufacturer is not responsible for any radio or TV interference caused by unauthorized modifications could void the user's authority to operate the equipment.*

- Avoid installing the unit in locations described below:
  - Places exposed to direct sunlight or close to heat radiating appliance such as electric heaters, on top of other stereo equipment that radiate too much heat.
  - Places lacking ventilation or dusty places.
  - Places subject to constant vibration.
  - Humid or moist places.
- Operate turning controls and switches as instructed in manual.
- Before turning on the power for the first time, make sure that the power cord is properly installed.

**WARNING:** Remove batteries if exhausted or if they will not be used again for a long period. The incorrect use of batteries can cause electrolyte leakage and will corrode the compartment or cause the batteries to burst, therefore:

- Do not mix battery types, e.g. alkaline with zinc carbonate.
- When inserting new batteries, replace all batteries at the same time.

Do not ingest the battery, Chemical burn hazard (the remote control supplied with).

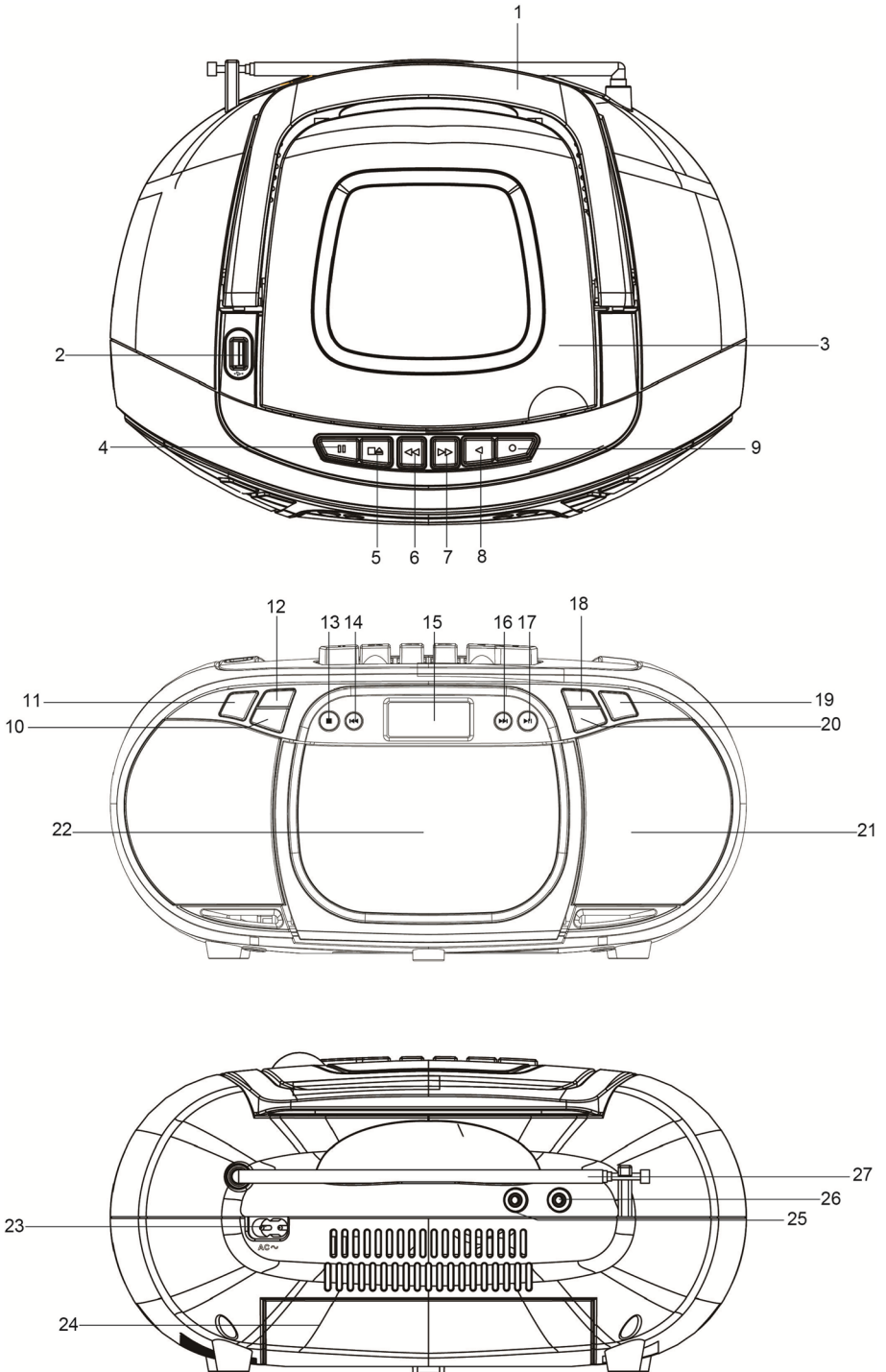
This product contains a coin/button cell battery. If the coin/button cell battery is swallowed, it can cause severe internal burns in just 2 hours and can lead to death.

Keep new and used batteries away from children.

If the battery compartment does not close securely, stop using the product and keep it away from children.

If you think batteries might have been swallowed or placed inside any part of the body, seek immediate medical attention.

# NAME OF CONTROLS



1. FOLDING HANDLE
2. USB PORT
3. CD COMPARTMENT
4. CASSETTE PAUSE KEY
5. CASSETTE STOP/EJECT KEY
6. CASSETTE FAST FORWARD KEY
7. CASSETTE REWIND KEY
8. CASSETTE PLAY KEY
9. CASSETTE RECORD KEY
10. 10/FOLD./MEM.- BUTTON
11. PROG./M./P-MODE BUTTON
12. 10/FOLD./MEM.+ BUTTON
13. ■/MENU/INFO BUTTON
14. ◀◀/TUN- BUTTON
15. LCD DISPLAY
16. ▶▶/TUN+ BUTTON
17. ▶||/SELECT/SCAN/PAIR BUTTON
18. VOL+ BUTTON
19. ⏻/FUNC. BUTTON
20. VOL- BUTTON
21. SPEAKERS
22. CASSETTE COMPARTMENT
23. AC SOCKET
24. BATTERY COMPARTMENT
25. AUX IN JACK
26. HEADPHONE JACK
27. FM ANTENNA

## POWER SOURCE

This unit is designed to be operated on AC/DC.

## AC OPERATION

Plug the smaller end of AC power cord into AC jack on unit and the other bigger end into household AC wall outlet. The unit will be automatically disconnected.

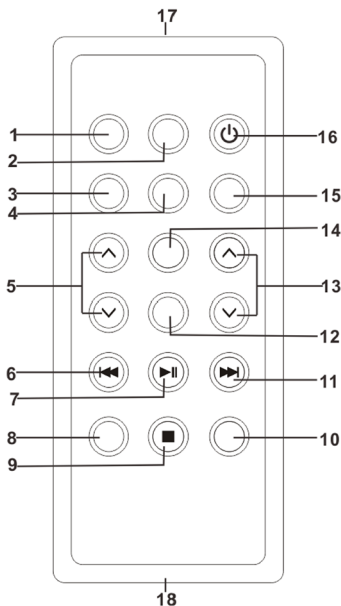
## DC OPERATION

Open the BATTERY COMPARTMENT DOOR. Install 6 pcs UM-1/D size batteries (not included) into compartment. Please follow correct polarities as indicated.

## CAUTION

- Remove batteries if they are exhausted or long time use.
- Batteries contain chemical substances, so they should be disposed of properly.

## REMOTE CONTROL



1. FUNC. KEY
2. MUTE KEY
3. MEMORY KEY
4. SCAN KEY
5. FOLD/10/M. UP/DOWN KEY
6. CD B-SKIP ◀◀/TUN- KEY
7. CD ▶||/PAIR KEY
8. INFO KEY
9. ■/MENU KEY
10. SELECT KEY
11. CD F-SKIP ▶▶/TUN+ KEY
12. ID3 KEY
13. VOLUME UP/DOWN KEY
14. P-MODE KEY
15. MO/ST KEY
16. ⏻ STANDBY KEY
17. REMOTE SENSOR
18. BATTERY COMPARTMENT

## REMOTE CONTROL OPERATION

To operate the unit with the remote control, point the remote handset at the remote sensor on the front panel and press the appropriate button on the remote handset.

The remote works best within a range of 6 ~ 7 meters from the front panel and on an angle of 30 degrees. Bright sunlight or room light conditions can interfere with the remote control. If the remote operation is unsatisfactory or stops working entirely, first try replacing the remote batteries, then try reducing the room lighting conditions.

## LITHIUM BATTERY INSTALLATION OF REMOTE CONTROL

The remote control includes one CR2025(3V) lithium battery.

To replace the battery, gently push the clasp to the right direction accordingly to the instruction and then pull out the battery compartment. Take the drained battery out and install a new lithium battery (CR-2025) in the compartment with the positive polarity unwarded. then push the compartment back to its position with a "click" sound indicating installation.

## BASIC FUNCTION

### SWITCHING ON THE UNIT

After connecting the power, press the **⏻/FUNC.** button to turn on the unit, then press the **⏻/FUNC.** button again to choose **FM / TAPE / CD / USB / BT** or **DAB** mode.

**NOTE:** In **CD / USB / AUX** mode, when the unit is not providing the main function for 15 minutes, the unit will automatically switch into standby mode. In the tape mode, only the tape stops for 15 minutes, the unit will automatically switch into standby mode. To turn on the unit again, press **⏻/FUNC.** button or replug the unit.

***ESD hints** – The product maybe reset or not reset to operation of control due to electrostatic discharge, just switch off and reconnect again.*

### TO ADJUST VOLUME

Press **VOL.+/-** button to increase or decrease volume.

### HEADPHONE JACK

For private listening, connect a 3,5 mm headphone (not included) to the HEADPHONE jack. The SPEAKER will be automatically disabled.

**CAUTION:** LISTENING AT A HIGH VOLUME OVER A LONG PERIOD IS NOT GOOD FOR YOUR EARS.

## FM OPERATION

### TUNING IN RADIO STATIONS

1. Press the **⏻/FUNC.** button to choose radio mode: **FM** mode.
2. Tune to the desired station by pressing **▶▶/TUN+** or **◀◀/TUN-** button, the station frequency will show on the display.
3. Press the **VOL.+/-** button to adjust the volume to a comfortable level.
4. To optimize reception when listening to stations on the FM band, extend the telescopic antenna to its full length. When the stereo signal is received, the **"ST"** show on the display.

### RADIO AUTO SCAN (SEARCH)

Press and hold the **▶▶/SELECT/SCAN/PAIR** button on unit, the unit will conduct auto scan and program until having found a strong signal. The unit will start to broadcast from the P01 after searching finished, then press the **10/FOLD./MEM+** or **10/FOLD./MEM-** to choose the desired stored station.

## RADIO STATION MEMORY OPERATION

You may pre-store 30 (FM) radio stations in memory for your preference.

1. Press the the ►►/TUN+ or ◀◀/TUN- button to select the first desired station. Then press and hold the **PROG./M/P-MODE** button on unit, “**PRESET STORE**” will show on the display.
2. Press the ►►/TUN+ or ◀◀/TUN- to choose the desired sequence you want to store, then press the ►/SELECT/SCAN/PAIR button on unit to confirm.
3. Search another station, repeat steps (1) & (2) until all desired stations stored. Up to 30 stations can be programmed.

## DAB RADIO OPERATION

DAB radio mode receives DAB/DAB+ digital radio and displays information about the station and programmed/track as broadcast. Press the ⏻/FUNC. button until display reads “**Welcome to DAB**”.

## SYSTEM

The system setting allows you to select display languages, reset to factory settings and view the software version.

### LANGUAGE

To select different languages for display messages. Press and hold the ■/MENU/INFO button to enter menu selection, select the “**System**” option and press the ►/SELECT/SCAN/PAIR button to enter, select “**Language**” then press the ►►/TUN+ or ◀◀/TUN- button to choose the desired language to be displayed, then press the ►/SELECT/SCAN/PAIR button to confirm.

### FACTORY RESET

Factory reset can help to clear all user defined settings, replacing them with the original default values, including the DAB station list and preset stations. Press and hold the ■/MENU/INFO button to enter menu selection, select the “**System**” option and press the ►/SELECT/SCAN/PAIR button to enter, select “**Factory reset**” then press the ►►/TUN+ or ◀◀/TUN- button to choose **YES** or **NO** option, then press the ►/SELECT/SCAN/PAIR button to confirm.

### SOFTWARE VERSION

This displays the current software version. Press and hold the ■/MENU/INFO button to enter menu selection, select the “**System**” option and press the ►/SELECT/SCAN/PAIR button to enter, select “**SW version**” then press the ►/SELECT/SCAN/PAIR button to view the current software version.

## SCANNING FOR STATIONS

1. To do a full scan, press and hold the ■/MENU/INFO button to enter menu selection, select the “**Full scan**” option and press the ►/SELECT/SCAN/PAIR button on the unit to confirm. Once a full scan is complete, the radio returns to play the previously-selected station or first station on the station list.
2. To choose between the scanned station list, press the ►►/TUN+ or ◀◀/TUN- button to scroll through the list of stations and press the ►/SELECT/SCAN/PAIR button to confirm. The “**Playing**” screen will display the new station details.

- To remove stations that are listed but unavailable, press and hold the **■/MENU/INFO** button to enter menu selection, select the “**Prune**” option and press the **▶▶/SELECT/SCAN/PAIR** button to enter, press the **▶▶/TUN+** or **◀◀/TUN-** button to choose **YES** or **NO** option, then press the **▶▶/SELECT/SCAN/PAIR** button to confirm. This removes all invalid stations, indicated in the station list with a “?” in front of the station name.

## PRESET STATIONS

To store a station in a preset memory, tune to the station that you want to save as a preset, then press the **PROG./M/P-MODE** button on the unit until the display shows “**Preset Store**”. Use the **▶▶/TUN+** or **◀◀/TUN-** button to choose a preset memory position (for example, “**Preset 1**”), then press the **▶▶/SELECT/SCAN/PAIR** button to confirm. Repeat this operation to save up to 30 preset stations.

## MANUAL TUNE

To do a manual tune, press and hold the **■/MENU/INFO** button to enter menu selection, select the “**Manual tune**” option and press the **▶▶/SELECT/SCAN/PAIR** button to confirm. Use the **▶▶/TUN+** or **◀◀/TUN-** button to tune to the desired stations.

## NOW PLAYING INFORMATION

While a station is playing, the screen shows its name and DLS (Dynamic Label Segment) information broadcast by the station such as program name, track title and contact details. To view further information, press the **■/MENU/INFO** button each time to show next set of information, cycling through: DLS text, DL Plus information (this is only displayed if broadcast by the station), signal strength, program type, ensemble name, channel number/frequency, signal error rate and bit rate.

## DYNAMIC RANGE COMPRESSION (DRC)

This function helps to reduce the difference between the loudest and quietest audio being broadcast. Effectively, this makes quite sounds comparatively louder and loud sounds comparatively quieter. There are 2 options in this setting, the options available are: **DRC/off**. To change the DRC setting, press and hold the **■/MENU/INFO** button to enter menu selection, select the “**DRC**” option then use the **▶▶/SELECT/SCAN/PAIR** button to choose a desired option.

## CASSETTE OPERATION

### UNDERSTANDING THE BUTTONS

**PLAY** - Press to play cassettes.

**REW** - From stop mode, press to rewind the tape toward the beginning.

**F.FWD** - From stop mode, press to advance the tape toward the end.

**STOP/EJ.** - Press to stop current tape activity or to open the cassette compartment door when no buttons are active.

**PAUSE** - Press to interrupt tape play or record mode. Press the second time to resume tape play or tape record mode.

### PLAYING A CASSETTE TAPE

- Press the **⏻/FUNC.** button to Choose **TAPE** mode.
- Press **STOP/EJ.** key to open the cassette compartment door.
- Insert cassette tape into the compartment with the open edge facing up and the full reel on the right.
- Close the door securely.
- Press **REW** or **F.FWD** to move tape to the desired starting point.



6. Press **PLAY** key to begin playing the tape.
7. Adjust the volume to your desired listening level.

## AUTOMATIC STOP FEATURE

When the cassette deck is operating in play or record mode and the end of the tape is reached, the unit automatically shuts itself off and returns all buttons to the off position.

## RECORDING FROM THE RADIO

1. Load a blank tape into the tape compartment and close the door.
2. Press the **⏻/FUNC.** button to choose **FM** or **DAB** mode.
3. Tune to required station by pressing the **⏮** or **⏭** button.
4. Press **RECORD** key to begin recording. **RECORD** key and **PLAY** key go down simultaneously.
5. Press **STOP/EJ.** key to end recording.
6. To hear what you recorded, follow instructions in PLAYING A CASSETTE TAPE.

*NOTE: PAUSE FOR A MOMENT - Using the **PAUSE** key on the cassette deck instead of the **STOP/EJ.** Key to momentarily interrupt recording gives you a much clear recording. Press **PAUSE** key again to resume recording.*

## RECORDING FROM CD/USB

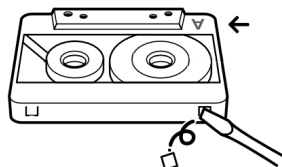
1. Insert a blank cassette tape into the tape compartment.
2. Press the **⏻/FUNC.** button to choose **CD** or **USB** mode.
3. Load a CD or insert a USB and select the desired track you want to record.
4. Press **CD ▶/SELECT/SCAN/PAIR** button to start playback. Press **RECORD** key to begin recording. **RECORD** key and **PLAY** key go down simultaneously.
5. Press **PAUSE** key to interrupt or edit recording. Press it again to resume recording.
6. Press **STOP/EJ.** key to end recording.
7. To hear what you recorded, follow instructions in PLAYING A CASSETTE TAPE.

## TYPES OF CASSETTE

Use only good quality cassettes (IEC TYPE 1) for making recordings. May be used to replay other types of cassette but is unable to make proper recording on these more specialized tapes. The use of C120 cassettes is NOT recommended in this machine.

## PROTECTING RECORDING

Normally, anything recorded on the tape is automatically erased when new recording is made. It is possible to protect your recording from accidental erasure by removing the tabs found on the rear of the cassette.



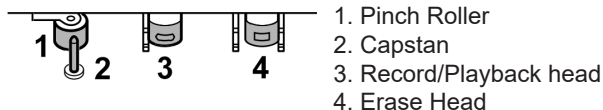
ERASE TAB FOR SIDE "A"

When the cassettes is held with the recorded side upper-most and exposed tape facing the front, the protective tab will be found on the left rear of the cassette.

All pre-recorded cassette are protected in this way to prevent accidental erasure of the commercial recording. "Protected" cassette will prevent the record button from being operated. If at any time you attempt to record and find that this button will not depress, never force the mechanism or it may be damaged. Check that a cassette has been loaded and that tab has not been removed. Recording on a cassette from which the tabs have been removed can be done by covering the tab openings with a piece of adhesive tape.

## CARE OF CASSETTE MECHANISM

Gently clean the tape head and pinch wheel/capstan assemblies after every 10 hours of using the unit. A range of cassette care products are available.



The erase head and record/play head and the surface of the pinch roller are delicate and must not be touched with metal objects such as screwdrivers. You may find it easier to clean the assembly by pressing the **PLAY** button to bright head and pinch roller into view. Be sure to press the **STOP/EJ.** button after cleaning the mechanism.

Damage to the pinch wheel can occur if the unit is left in **PLAY** mode with the power switch off. Under no circumstances should you attempt to lubricate any part of the machine.

## CD/MP3 OPERATION

### Discs for Playback

This system can playback all digital audio CD, MP3, finalized digital audio CD-Recordable (CD-R) discs, finalized digital audio CD-Rewritable (CD-RW) discs and CD-DA format digital audio CD/CD-R/CD-RW discs.

### LOADING A DISC

1. Press the **⏻/FUNC.** button to choose **CD** mode.
2. Open the CD door. "**OPEN**" will be shown on the display.
3. Place an audio CD into the tray with the label side facing up.
4. Close the CD door. The total number of tracks will appear on the display after reading finished.
5. To remove the CD, press **■/MENU/INFO** button and open CD compartment lid, grasp the CD by its edges, and carefully take it out.

*Note:*

*To ensure good system performance; wait until the disc tray completely reads the disc before proceeding.*

*If no disc is loaded into the compartment, or the disc is placed upside down, the display will show "**NO DISC**".*

### PLAYING A DISC

1. After loading the disc, the unit starts playback automatically.
2. To interrupt playback, press the **⏸/SELECT/SCAN/PAIR** button. The "current playing time" indicator will flash on the display. To resume playback, press the **⏸/SELECT/SCAN/PAIR** button again.
3. To stop playback, press the **■/MENU/INFO** button, the total number of tracks appears on the display.

### SELECTING A DESIRED TRACK/PASSAGE

#### To select a desired track

- Press the **▶/TUN+** or **◀/TUN-** button repeatedly in stop mode or during play until the desired track appears on the display.
- Press the **⏸/SELECT/SCAN/PAIR** button to start play.

### To search for a particular passage during playback (track scanning at high speed)

Press and hold the ►►/TUN+ or ◀◀/TUN- button to scan the current playing track at high speed until desired passage appears, and then release the button. Playback will start again from this point.

### To select a song which track number exceeds 10 (for MP3 disc only)

To select a song/track which number exceeds 10, press the 10/FOLD./MEM.+ or 10/FOLD./MEM.- button each time to skip forward/backward 10 tracks, then press the ►►/TUN+ or ◀◀/TUN- button to select desired track. For example: to select the 17th track, press 10/FOLD./MEM.+ button, and then the ►►/TUN+ button six times immediately.

### To Select A Desired Folder (for MP3 disc only)

(if the MP3 disc contains more than one folder)

To skip to the desired folder during playback, press and hold the 10/FOLD./MEM.+ or 10/FOLD./MEM.- button for about 2 seconds to skip to next/previous folder.

## PROGRAM TRACKS

Programming tracks of disc are possible when playback is stopped. Up to CD 20 tracks /MP3 99 tracks can be stored in the memory in any order.

1. In stop mode, press the **PROG./M/P-MODE** button, the “**T-000**” will flash and the “**P01**” indicator will be on.
2. Press the CD ►►/TUN+ or ◀◀/TUN- button to select the first desired track to be programmed.
3. Press the **PROG./M/P-MODE** button to enter. The display changes to show “**P02**”.
4. Repeat steps 2 & 3 to store other desired tracks until all tracks are programmed.
5. Press the ►|/SELECT/SCAN/PAIR button to start playback from the first programmed track.
6. Press the ■/MENU/INFO button to stop program playback.

### To Erase the Memory (Program)

To clear the program, you have two options:

1. Press the ■/MENU/INFO button when the disc is stopped.
2. Open the CD compartment lid, program will be erased.

*NOTE: If there are several folders in the USB or MP3 disc, it is necessary to program folders first and then the tracks. Press the 10/FOLD./MEM.+ or 10/FOLD./MEM.- to select the first folder you want to program. After that, press ►►/TUN+ or ◀◀/TUN- button to choose the first desired track to be programmed, press the **PROG./M/P-MODE** button to enter. The display changes to show “**P02**”.*

## REPEAT

### To Repeat a Single Track

1. Press the **PROG./M/P-MODE** button once in play mode, “**REP-1**” will show steady on the display. The current track will be played repeatedly until the ■/MENU/INFO button is pressed.
2. To cancel Repeat function, press the **PROG./M/P-MODE** button until the “**REP-1**” disappears on the LCD display.

### To repeat all the Tracks

1. Press **PROG./M/P-MODE** button in play mode till the “**REP-ALL**” shows steady on the display, all tracks on the disc will be played repeatedly until the ■/MENU/INFO button is pressed.
2. To cancel Repeat function, press the **PROG./M/P-MODE** button until the “**REP-ALL**” disappears on the LCD display.

### To repeat current folder (for MP3 only)

1. Press **PROG./M/P-MODE** button in play mode, till the “**REP-ALBUM**” shows steady on the display, the current folder will be played repeatedly until the **■/MENU/INFO** button is pressed.
2. To cancel Repeat function, press the **PROG./M/P-MODE** button until the “**REP-ALBUM**” disappear on the LCD display.

## RANDOM PLAY

Press the **PROG./M/P-MODE** button in play mode till the “**RANDOM**” shows steady on the display, the random play will start immediately until all tracks are played over and then stop. Press the **PROG./M/P-MODE** button once to cancel.

## INTRO

Press the **PROG./M/P-MODE** button in play mode till the “**INTRO**” shows steadily on the display, the intro play will start and scan 10 seconds for every track. To cancel intro play, press the **PROG./M/P-MODE** button until “**INTRO**” disappear from the display.

## USB OPERATION

1. Press the **⏻/FUNC.** button to choose **USB** mode.
2. Connect the USB to the USB INPUT. The LCD will show the total number of tracks and folders stored in the USB. After reading the USB, the unit will start playback automatically.
3. Press the **■/MENU/INFO** button on unit to stop playing. The display will show total number of tracks and folders.
4. Proceed repeat play (repeat 1- repeat folder - repeat all - random - intro) operation as the same described in above CD/MP3 OPERATION.

**CAUTION:** Do not use any USB extension cable for connecting the USB bar which may cause harmful interference.

## BLUETOOTH OPERATION

1. Press the **⏻/FUNC.** button to switch to **BLUETOOTH** function, the LCD will display flashing “**UNCONNECT**” at high speed.
2. Turn on the Bluetooth function on the device, scan the unit “**JVC RC-E561B-DAB**” and connect, then input the password 0000 if required, the “**BT MODE CONNECT**” will show steadily to indicate connection done. Press the **▶II/SELECT/SCAN/PAIR** button on the unit or play key on the device to start playback.
3. If the unit can't connect the relative Bluetooth within 2 minutes, press and hold the **▶II/SELECT/SCAN/PAIR** button on unit to reconnect.
4. Press the **VOL.+/-** buttons to select your desired level.
5. Press **▶II/TUN+** or **◀◀/TUN-** on the unit to choose the desired track.
6. To stop playback, press **▶II/SELECT/SCAN/PAIR** button.

*Note: The Bluetooth works best within 10 meters.*

## AUX IN OPERATION

This unit provides a 3,5 mm AUX IN jack, through this jack other audio sources can be connected to this unit and be amplified.

1. Connect the audio cable( cable not include) into the AUX IN jack and the other end connects to the AUDIO OUT jack of the external audio source. The unit will change to AUX mode automatically.
2. Adjust the volume of the main unit to your desired level.
3. Press PLAY of the external audio source (eg. MP3 player) to start playback.

## COMPACT DISC MAINTENANCE

Always use a compact disc bearing the mark as shown.



Notes on handling discs

- Removing the disc from its storage case and loading it.
- Do not touch the reflective recorded surface.
- Do not stick paper or write anything on the surface.
- Do not bend the disc.

Storage

- Store the disc in its case.
- DO not expose discs to direct sunlight or high temperatures, high humidity or dusty places.

Cleaning a disc

- Should the disc become soiled, wipe off dust, dirt and fingerprints with a soft cloth.
- The disc should be cleaned from the center to the edge.
- Never use benzene, thinners, record cleaner fluid or anti-static spray.
- Be sure to close the CD door, so the lens is not contaminated by dust.
- Do not touch the lens.

## SPECIFICATIONS

### GENERAL

Power Requirement	AC 100-240V ~ 60/50Hz DC 9V UM-1/D x 6 PCS
Power consumption	14 Watts
Standby Power consumption	< 0,5 W
Weight	Approx. 1,7 kg
Dimensions	Approx. 285 (W) x 213 (D) x 140 (H) mm
Operation temperature	+5°C – +35°C

### RECEIVER SECTION

FM Frequency Range	87,5 – 108 MHz
DAB+ Frequency Range	174,928 – 239,200 MHz

### BLUETOOTH SECTION

BT Frequency Range	2402 – 2480 MHz
EIRP	2,64 dBm

### COMPACT DISC SECTION

Optical Pickup	3 – Beam Laser
Frequency Response	100 Hz – 16 kHz

### CASSETTE SECTION

Recording System	2 Tracks 2 Channel (Stereo)
Bias System	DC Bias
Frequency Response	125 – 6,3 kHz
Wow and Flutter	0,35% WRMS (JIS)

### AUDIO SECTION

Power output	2 x 1,5 Watts RMS
--------------	-------------------

### ACCESSORIES

Instruction Booklet, AC Cord, Remote Control

**WE RESERVE THE RIGHT TO CHANGE TECHNICAL SPECIFICATIONS.**



**WARNING:** DO NOT USE THIS PRODUCT NEAR WATER, IN WET AREAS TO AVOID FIRE OR INJURY OF ELECTRIC CURRENT. ALWAYS TURN OFF THE PRODUCT WHEN YOU DON'T USE IT OR BEFORE A REVISION. THERE AREN'T ANY PARTS IN THIS APPLIANCE WHICH ARE REPARABLE BY CONSUMER. ALWAYS APPEAL TO A QUALIFIED AUTHORIZED SERVICE. THE PRODUCT IS UNDER A DANGEROUS TENTION.



TO AVOID DANGER OF SUFFOCATION, KEEP THE PLASTIC BAG AWAY FROM BABIES AND CHILDREN. DO NOT USE THIS BAG IN CRIBS, BEDS, CARRIAGES OR PLAYPENS. THIS BAG IS NOT A TOY.

**Disposal of old Electrical & Electronic Equipment  
(Applicable in the European Union and other European countries with separate collection systems)**



This symbol on the product or on its packaging indicates that this product shall not be treated as household waste. Instead it shall be handed over to the applicable collection point for the recycling of electrical and electronic equipment. By ensuring this product is disposed of correctly, you will help prevent potential negative consequences for the environment and human health, which could otherwise be caused by inappropriate waste handling of this product. The recycling of materials will help to conserve natural resources. For more detailed information about recycling of this product, please contact your local Civic Office, your household waste disposal service or the shop where you purchased the product.

Hereby, ETA a.s. declares that the radio equipment type RC-E561B-DAB is in compliance with Directive 2014/53/EU. The full text of the EU declaration of conformity is available at the following internet address: [www.JVCAUDIO.cz/doc](http://www.JVCAUDIO.cz/doc)

## ÚVOD

- Děkujeme vám za zakoupení tohoto výrobku.
- Přečtěte si prosím tento návod k použití, abyste se dozvěděli, jak správně s přístrojem zacházet. Po přečtení návodu k použití jej uložte na bezpečné místo k možnému pozdějšímu využití.

## UPOZORNĚNÍ

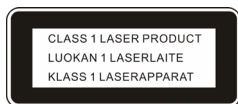
Aby nedošlo k požáru nebo úrazu elektrickým proudem, nevystavujte přístroj dešti ani vlhkosti. Neotvírejte skříň přístroje, jinak hrozí nebezpečí úrazu elektrickým proudem. Přenechejte servis kvalifikovaným osobám.

## POZOR

Použití ovládacích prvků či úprav anebo aplikace postupů odlišných od těch, které jsou popsány v tomto návodu, může vést k nebezpečnému ozáření.

## NEBEZPEČÍ

Po otevření přístroje a selhání nebo překonání bezpečnostních zámků hrozí ozáření neviditelným laserovým paprskem. Dbejte, abyste se paprsku přímo nevystavili.



Tento přehrávač kompaktních disků je klasifikován jako LASEROVÝ PRODUKT TŘÍDY 1. Štítek LASEROVÝ PRODUKT TŘÍDY 1 se nachází na vnější straně zadní části.

*POZNÁMKA: Výrobce není odpovědný za rušení rádia nebo televizoru způsobené neoprávněnými úpravami, které mohou vést k neplatnosti oprávnění uživatele toto vybavení používat.*

- Neinstalujte přístroj na níže uvedených místech:
  - Místa vystavená přímému slunci nebo v blízkosti spotřebičů vyzařujících teplo, například elektrických topných těles, ani přístroj nestavte na jiná audio zařízení, které vydávají příliš velké množství tepla.
  - Nevětraná nebo prašná místa.
  - Místa vystavená stálým vibracím.
  - Vlhká nebo mokrá místa.
- Otočné knoflíky a vypínače používejte dle pokynů v návodu.
- Před prvním zapnutím se ujistěte, že je řádně nainstalován síťový kabel.

**UPOZORNĚNÍ:** Pokud jsou baterie vybité nebo je nebudete delší dobu používat, vyjměte je z přístroje. Nesprávné použití baterií může způsobit únik elektrolytu a korozi prostoro pro baterie nebo roztržení baterií. Proto:

- Nekombinujte různé druhy baterií, např. alkalické se zinko-uhlíkovými.
- Pokud instalujete nové baterie, vyměňte všechny baterie najednou.

Dbejte, aby nedošlo ke spolknutí baterie (v přiloženém dálkovém ovladači), hrozí chemické popálení. Dálkový ovladač obsahuje knoflíkovou baterii. Pokud ji spolknete, může to za pouhé 2 hodiny způsobit vážné vnitřní popáleniny a smrt.

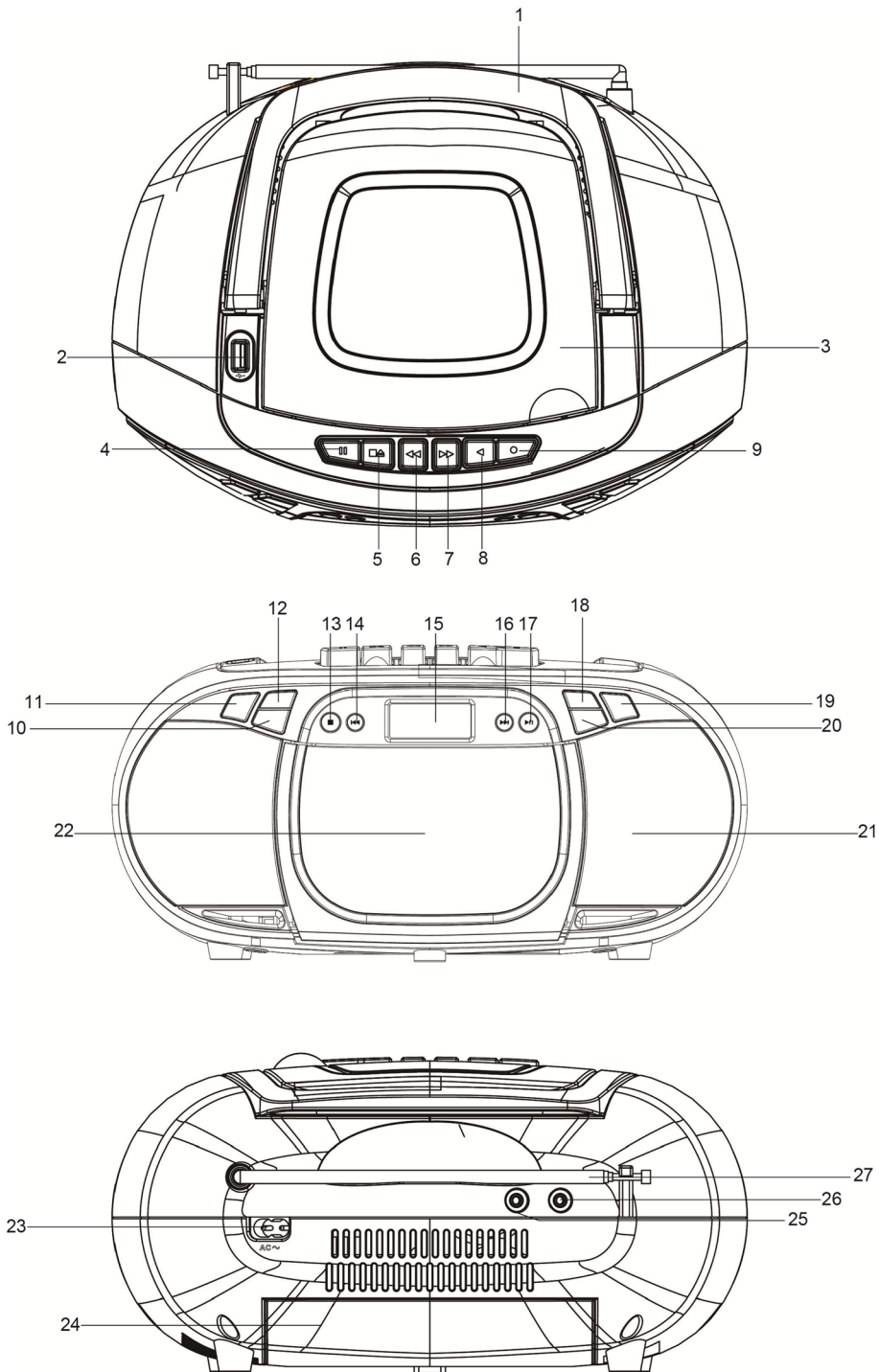
Nové i použité baterie uchovávejte mimo dosah dětí.

Pokud nejde prostor pro baterie bezpečně uzavřít, přestaňte výrobek používat a chraňte jej před dětmi.

Pokud si myslíte, že mohlo dojít ke spolknutí baterie nebo se mohly dostat do některé části těla, okamžitě vyhledejte lékařskou pomoc.



# UMÍSTĚNÍ OVLÁDACÍCH PRVKŮ



1. SKLÁPĚCÍ RUKOJEŤ
2. VSTUP USB
3. PROSTOR PRO CD
4. TLAČÍTKO PAUZY KAZETY
5. TLAČÍTKO ZASTAVENÍ/VYSUNUTÍ KAZETY
6. TLAČÍTKO RYCHLÉHO POSUNU KAZETY VPŘED
7. TLAČÍTKO RYCHLÉHO POSUNU KAZETY VZAD
8. TLAČÍTKO PŘEHRÁVÁNÍ KAZETY
9. TLAČÍTKO NAHRÁVÁNÍ KAZETY
10. TLAČÍTKO 10/FOLD./MEM.-
11. TLAČÍTKO PROG./M./P-MODE
12. TLAČÍTKO 10/FOLD./MEM.+
13. TLAČÍTKO ■/MENU/INFO
14. TLAČÍTKO ◀◀/TUN-
15. LCD DISPLEJ
16. TLAČÍTKO ▶▶/TUN+
17. TLAČÍTKO ▶▶/SELECT/SCAN/PAIR
18. TLAČÍTKO VOL+
19. TLAČÍTKO ⏻/FUNC.
20. TLAČÍTKO VOL-
21. REPRODUKTORY
22. PROSTOR PRO KAZETU
23. ZDÍŘKA PRO NAPÁJENÍ STŘÍDAVÝM PROUDEM
24. PROSTOR PRO BATERIE
25. KONEKTOR VSTUPU AUX IN
26. KONEKTOR SLUCHÁTEK
27. ANTÉNA FM

## ZDROJ NAPÁJENÍ

Tento přístroj je určen k provozu na střídavý a stejnosměrný proud.

### PROVOZ NA STŘÍDAVÝ ELEKTRICKÝ PROUD

Užší konec síťového kabelu zapojte do elektrické zdířky pro střídavý proud na přístroji a velkou zástrčku zapojte do domovní zásuvky pro střídavý proud. Baterie se automaticky odpojí.

### PROVOZ NA STEJNOSMĚRNÝ PROUD

Otevřete KRYT PROSTORU PRO BATERIE. Do prostoru pro baterie instalujte 6 kusů baterií velikosti UM-1/D (nejsou přiloženy). Dodržte správnou polaritu dle označení.

### POZOR

- Jsou-li baterie vybité nebo je nebudete delší dobu používat, vyjměte je z přístroje.
- Baterie obsahují chemické látky, proto je třeba je správným způsobem likvidovat.

## DÁLKOVÝ OVLADAČ

### POUŽÍVÁNÍ DÁLKOVÉHO OVLADAČE

Chcete-li přístroj ovládat pomocí dálkového ovladače, nasměrujte jej na senzor dálkového ovládání na předním panelu a stiskněte příslušné tlačítko na dálkovém ovladači.

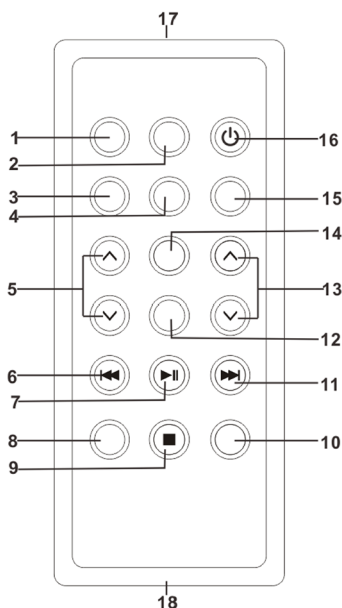
Dálkový ovladač funguje nejlépe do vzdálenosti 6 až 7 metrů od čelního panelu a pod úhlem do 30 stupňů. Dálkové ovládání může být rušeno jasným slunečním svitem nebo světelnými podmínkami v místnosti. Pokud dálkové ovládání funguje špatně nebo vůbec, zkuste v něm nejprve vyměnit baterie a poté zkuste snížit intenzitu světla v místnosti.

### INSTALACE LITHIOVÉ BATERIE DO DÁLKOVÉHO OVLADAČE

Dálkový ovladač obsahuje jednu lithiovou baterii CR2025 (3 V). Při výměně baterie mírně zatlačte na plošku směrem doprava podle nákresu a poté vsuňte zásuvku s baterií.

Vyjměte vybitou baterii a vložte do prostoru pro baterie novou lithiovou baterii (CR-2025) s dodržením správné polarit. Poté zasuňte zásuvku s baterií zpět na místo.

Uslyšíte zaklapnutí a výměna je hotová.



1. TLAČÍTKO FUNC.
2. TLAČÍTKO MUTE
3. TLAČÍTKO MEMORY
4. TLAČÍTKO SCAN KEY
5. TLAČÍTKO FOLD/10/M. UP/DOWN
6. TLAČÍTKO CD B-SKIP ◀◀/TUN-
7. TLAČÍTKO CD ▶▶/PAIR
8. TLAČÍTKO INFO
9. TLAČÍTKO ■ /MENU
10. TLAČÍTKO SELECT
11. TLAČÍTKO CD F-SKIP ▶▶/TUN+
12. TLAČÍTKO ID3
13. TLAČÍTKO VOLUME UP/DOWN
14. TLAČÍTKO P-MODE
15. TLAČÍTKO MO/ST
16. TLAČÍTKO ⏻ STANDBY
17. SENZOR DÁLKOVÉHO OVLÁDÁNÍ
18. PROSTOR PRO BATERIE

## ZÁKLADNÍ FUNKCE

### ZAPNUTÍ PŘÍSTROJE

Po zapojení do elektřiny zapnete přístroj stisknutím tlačítka **⏻ /FUNC.** na přístroji, a poté opětovným stisknutím tlačítka **⏻ /FUNC.** zvolte mezi režimy **FM / TAPE / CD / USB /BT** nebo **DAB**.

**POZNÁMKA:** Pokud nebudete v režimu **CD / USB / AUX** s přístrojem po dobu 15 minut manipulovat, automaticky se přepne do pohotovostního režimu. Pokud bude v režimu kazetového magnetofonu kazeta po dobu 15 minut zastavena, přístroj se automaticky přepne do pohotovostního režimu. Budete-li chtít přístroj znovu zapnout, stiskněte tlačítko pohotovostního režimu **⏻ /FUNC.** nebo přístroj vytáhněte ze zásuvky a znovu zapojte.

***Tipy pro elektrostatickou elektřinu** – V důsledku elektrostatického výboje může dojít u produktu k dočasné nefunkčnosti. V takovém případě přístroj resetujte jeho vypnutím a opětovným zapnutím.*

### NASTAVENÍ HLASITOSTI

Tlačítka **VOL. +/-** zvýšíte nebo snížíte hlasitost.

### KONEKTOR SLUCHÁTEK

Chcete-li poslouchat v soukromí, zapojte do konektoru **SLUCHÁTEK** sluchátka 3,5 mm (nejsou přiložena). Výstup **REPRODUKTORŮ** se automaticky vypne.

**UPOZORNĚNÍ:** **DLOUHODOBÝ POSLECH PŘI VYSOKÉ HLASITOSTI ŠKODÍ SLUCHU.**

## POUŽÍVÁNÍ RÁDIA FM

### LADĚNÍ ROZHLASOVÝCH STANIC

1. Stisknutím tlačítka **⏻/FUNC.** zvolte režim rádia **FM**.
2. Tlačítky **▶▶/TUN+** nebo **◀◀/TUN-** naladíte požadovanou stanici. Na displeji se zobrazí frekvence stanice.
3. Pomocí tlačítek **VOL.+/-** nastavíte hlasitost na požadovanou úroveň.
4. Jestliže budete chtít optimalizovat příjem při poslechu stanic v pásmu FM, vytáhněte teleskopickou anténu FM do plné délky. Pokud se přijímá stereofonní signál, na displeji se zobrazí **"ST"**.

### AUTOMATICKÉ NALEZENÍ ROZHLASOVÉ STANICE (VYHLEDÁVÁNÍ)

Stiskněte a podržte tlačítko **▶▶/SELECT/SCAN/PAIR** na přístroji. Přístroj automaticky vyhledá silné signály a uloží je do předvoleb. Po dokončení vyhledávání bude přístroj vysílat stanici uloženou pod číslem předvolby P01. Pomocí tlačítek **10/FOLD./MEM+** nebo **10/FOLD./MEM-** můžete volit mezi uloženými stanicemi.

### POUŽÍVÁNÍ PAMĚTI PRO ROZHLASOVÉ STANICE

Do předvoleb lze uložit 30 rozhlasových stanic (FM) dle vašeho výběru.

1. Tlačítky **▶▶/TUN+** nebo **◀◀/TUN-** naladíte první požadovanou stanici. Poté stiskněte a podržte tlačítko **PROG./M/P-MODE** na přístroji. Na displeji se zobrazí **"PRESET STORE"**.
2. Pomocí tlačítek **▶▶/TUN+** nebo **◀◀/TUN-** zvolte požadované číslo předvolby, kam chcete stanici uložit, a poté potvrďte tlačítkem **▶▶/SELECT/SCAN/PAIR** na přístroji.
3. Vyhledejte další stanici a opakujte kroky 1 a 2, dokud neuložíte všechny požadované stanice. Lze naprogramovat až 30 stanic.

## POUŽÍVÁNÍ RÁDIA DAB

Režim rádia DAB přijímá digitální rádio DAB/DAB + a zobrazuje informace o stanici a naprogramované stopě při vysílání. Opakovaně stiskněte tlačítko **⏻/FUNC.**, dokud se na displeji nezobrazí **"Welcome to DAB"**.

### SYSTEM

Nastavení systému umožňuje vybrat jazyk zobrazení, obnovit nastavení z výroby a zobrazit verzi softwaru.

### JAZYK

Pokud chcete vybrat jiný jazyk pro zobrazení oznámení na displeji, stisknutím a podržením tlačítka **■/MENU/INFO** přejděte do nabídky možností, zvolte možnost **"System"** a potvrďte stisknutím tlačítka **▶▶/SELECT/SCAN/PAIR**. Zvolte **"Jazyk"** a poté pomocí tlačítek **▶▶/TUN+** nebo **◀◀/TUN-** zvolte požadovaný jazyk, který se má zobrazovat. Poté potvrďte výběr stisknutím tlačítka **▶▶/SELECT/SCAN/PAIR**.

### OBNOVENÍ TOVÁRNÍHO NASTAVENÍ

Použitím obnovení nastavení z výroby můžete vymazat všechna uživatelská nastavení, včetně seznamu stanic DAB a přednastavených stanic, a nahradit je původními výchozími hodnotami. Stisknutím a podržením tlačítka **■/MENU/INFO** přepněte do nabídky možností, zvolte možnost **"System"** a potvrďte stisknutím tlačítka **▶▶/SELECT/SCAN/PAIR**. Zvolte **"Tovární nastavení"** a poté pomocí tlačítka **▶▶/TUN+** nebo **◀◀/TUN-** vyberte možnost ANO nebo **NE**. Potvrďte stisknutím tlačítka **▶▶/SELECT/SCAN/PAIR**.

## VERZE SOFTWARE

Zde se zobrazuje aktuální verze softwaru. Stisknutím a podržením tlačítka **■/MENU/INFO** přepněte do nabídky možností, zvolte možnost **“Systém”** a potvrďte stisknutím tlačítka **▶▶/SELECT/SCAN/PAIR**. Vyberte možnost **“Verze softwaru”** a poté stisknutím tlačítka **▶▶/SELECT/SCAN/PAIR** zobrazíte aktuální verzi softwaru.

## VYHLEDÁVÁNÍ STANIC

1. Chcete-li provést úplné vyhledání, stisknutím a podržením tlačítka **■/MENU/INFO** přepněte do nabídky možností, zvolte možnost **“Úplné vyhledávání”** a stisknutím tlačítka **▶▶/SELECT/SCAN/PAIR** na přístroj výběr potvrďte. Po dokončení úplného vyhledání se rádio vrátí k přehrávání dříve vybrané stanice nebo první stanice v seznamu.
2. Chcete-li vybrat v seznamu vyhledaných stanic, pomocí tlačítek **▶▶/TUN+** nebo **◀◀/TUN-** můžete procházet seznamem stanic a tlačítkem **▶▶/SELECT/SCAN/PAIR** volbu potvrdit. Zobrazí se **„Nyní hraje“** s údaji o nové stanici.
3. Jestliže chcete odstranit stanice, které jsou v seznamu, ale nefungují, stisknutím a podržením tlačítka **■/MENU/INFO** přejděte do nabídky možností, vyberte možnost **“Promazat”** a potvrďte stisknutím tlačítka **▶▶/SELECT/SCAN/PAIR**. Pomocí tlačítek **▶▶/TUN+** nebo **◀◀/TUN-** zvolte možnost **Ano** nebo **Ne** a poté potvrďte stisknutím tlačítka **▶▶/SELECT/SCAN/PAIR**. Odstraní se všechny neplatné stanice, které jsou v seznamu označeny symbolem **“?”** před názvem stanice.

## PŘEDVOLENÉ STANICE

Chcete-li uložit stanici do paměti, naladte stanici, kterou chcete uložit jako předvolbu, a opakovaně stiskněte tlačítko **PROG./M/P-MODE** na přístroji, dokud se na displeji nezobrazí **“Předv. uložit”**. Tlačítka **▶▶/TUN+** nebo **◀◀/TUN-** zvolte pozici pro paměť předvolby (například **“Předvolba 1”**) a poté potvrďte stisknutím tlačítka **▶▶/SELECT/SCAN/PAIR**. Opakováním tohoto postupu můžete do předvoleb uložit až 30 stanic.

## MANUÁLNÍ LADĚNÍ

Při manuálním ladění přepněte do nabídky možností stisknutím a podržením tlačítka **■/MENU/INFO**. Zvolte možnost **“Ruční ladění”** a potvrďte stisknutím tlačítka **▶▶/SELECT/SCAN/PAIR**. Pomocí tlačítek **▶▶/TUN+** nebo **◀◀/TUN-** naladte požadované stanice.

## INFORMACE O PRÁVĚ PŘEHRAVANÉ STANICI

Během přehrávání stanice se na obrazovce zobrazuje její název a informace DLS vysílané stanicí, například název programu, název stopy a další údaje. Chcete-li zobrazit další informace, stiskněte tlačítko **■/MENU/INFO**. Po každém stisknutí se zobrazí další sada informací, a to v posloupnosti: text DLS, informace DL Plus (zobrazí se, jen pokud je příslušná stanice vysílá), intenzita signálu, typ programu, název multiplexu, číslo/frekvence kanálu, chybovost signálu a bitová rychlost.

## KOMPRESÍ DYNAMICKÉHO ROZSAHU (DRC)

Tato funkce pomáhá snížit rozdíl mezi nejhlasitějším a nejtisším vysílaným zvukem. Díky tomu jsou tišší zvuky relativně hlasitější a hlasité zvuky relativně tišší. V tomto nastavení jsou k dispozici dvě možnosti, a to **DRC** a **Vyp.** Chcete-li změnit nastavení DRC, stiskněte a podržte tlačítko **■/MENU/INFO**, čímž přepnete do nabídky možností, zvolte možnost **“DRC”** a poté tlačítkem **▶▶/SELECT/SCAN/PAIR** vyberte požadovanou možnost.

# POUŽÍVÁNÍ KAZETOVÉHO MAGNETOFONU

## POPIS TLAČÍTEK

**PLAY** - Stisknutím můžete přehrávat kazety.

**REW** - V režimu zastavení můžete stisknutím tohoto tlačítka převinout kazetu zpět na její začátek.

**F.FWD** - V režimu zastavení můžete stisknutím tohoto tlačítka převinout kazetu vpřed na její konec.

**STOP/EJ.** - Stisknutím zastavíte aktuální režim provozu kazetového magnetofonu nebo otevřete dvířka prostoru pro kazetu, není-li aktivní žádné tlačítko.

**PAUSE** - Stisknutím přerušíte přehrávání nebo nahrávání kazety. Dalším stisknutím přehrávání nebo nahrávání obnovíte.

## PŘEHŘÁVÁNÍ KAZETY

1. Stisknutím tlačítka **⏮/FUNC.** zvolte režim **TAPE**.
2. Stisknutím tlačítka **STOP/EJ.** otevřete dvířka prostoru pro kazetu.
3. Do prostoru pro kazetu vložte kazetu otevřenou stranou směrem nahoru a namotanou cívkou vpravo.
4. Správně zavřete dvířka.
5. Pomocí tlačítek **REW** nebo **F.FWD** převiňte kazetu do požadovaného bodu.
6. Stisknutím tlačítka **PLAY** spustíte přehrávání kazety.
7. Nastavte hlasitost na požadovanou úroveň.

## FUNKCE AUTOMATICKÉHO ZASTAVENÍ

Pokud dosáhne pásek při přehrávání nebo nahrávání konce kazety, kazetový magnetofon se automaticky vypne a vrátí všechna tlačítka do polohy vypnuto.

## NAHRÁVÁNÍ Z RÁDIA

1. Do prostoru pro kazetu vložte čistý pásek a zavřete dvířka.
2. Stisknutím tlačítka **⏮/FUNC.** zvolte režim **FM** nebo **DAB**.
3. Naladte požadovanou stanici pomocí tlačítek **⏪** nebo **⏩**.
4. Tlačítkem **RECORD** spusťte nahrávání. Tlačítka **RECORD** a **PLAY** se zároveň stlačí.
5. Nahrávání ukončíte stisknutím tlačítka **STOP/EJ.**
6. Chcete-li si poslechnout, co jste nahráli, viz pokyny v části **PŘEHŘÁVÁNÍ KAZETY**.

*POZNÁMKA: CHVILKOVÁ PAUZA – Použitím tlačítka **PAUSE** kazetového magnetofonu místo tlačítka **STOP/EJ.** můžete nahrávání pozastavit. Nahrávka bude mnohem čistší. Nahrávání obnovíte opětovným stisknutím tlačítka **PAUSE**.*

## NAHRÁVÁNÍ Z CD/USB

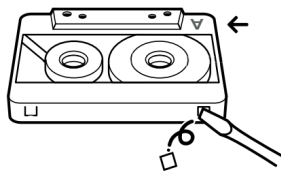
1. Do prostoru pro kazetu vložte čistý pásek a zavřete dvířka.
2. Stisknutím tlačítka **⏮/FUNC.** zvolte režim **CD** nebo **USB**.
3. Vložte CD nebo připojte USB a zvolte požadovanou stopu, kterou chcete nahrát.
4. Stisknutím tlačítka **CD** **▶||/SELECT/SCAN/PAIR** spustíte přehrávání. Tlačítkem **RECORD** spusťte nahrávání. Tlačítka **RECORD** a **PLAY** se zároveň stlačí.
5. Stisknutím tlačítka **PAUSE** můžete nahrávání přerušit nebo editovat. Nahrávání obnovíte opětovným stisknutím tohoto tlačítka.
6. Nahrávání ukončíte stisknutím tlačítka **STOP/EJ.**
7. Chcete-li si poslechnout, co jste nahráli, viz pokyny v části **PŘEHŘÁVÁNÍ KAZETY**.

## TYPY KAZET

K pořizování nahrávek používejte pouze kvalitní kazety (IEC TYP 1). Lze použít i jiné typy kazet, ale na tyto více specializované kazety není možné pořídít kvalitní nahrávku. U tohoto přístroje **NEDOPORUČUJEME** použití kazet C120.

## OCHRANA NAHRÁVKY

Za normálních okolností se při pořizování nové nahrávky vymaže vše, co bylo na pásek nahrané předtím. Je však možné nahrávku ochránit před náhodným přemazáním tím, že odstraníte jazýčky na zadní hraně kazety.



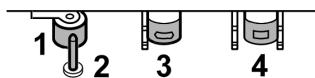
JAZÝČEK PRO STRANU "A"

Pokud kazetu držíte nahranou stranou nahoru a odkrytým páskem směrem dopředu, bude se ochranný jazýček nacházet na levé zadní straně kazety.

Tímto způsobem jsou chráněny všechny předem nahrané kazety, aby nedošlo k náhodnému přemazání komerční nahrávky. „Chráněná“ kazeta brání stisknutí tlačítka pro nahrávání. Pokud se pokusíte o nahrávání a zjistíte, že toto tlačítko nelze stisknout, nikdy se nepokoušejte mechanismus překonat silou, jinak způsobíte jeho poškození. Zkontrolujte, zda je kazeta správně vložena a zda nebyl odstraněn ochranný jazýček. Nahrávání na kazetu s odstraněnými jazýčky je možné tak, že otvory po jazýčcích zalepíte kouskem lepicí pásky.

## PÉČE O KAZETOVÝ MECHANISMUS

Hlavu magnetofonu a soustavu hnacího hrotu a přítlačného válečku čistíte po každých 10 hodinách používání přístroje. K dispozici je široký sortiment produktů pro péči o kazetové magnetofony.



1. Přítlačný váleček
2. Hnací hrot
3. Přehrávací/nahrávací hlava
4. Mazací hlava

Mazací hlava a nahrávací/přehrávací hlava a povrch přítlačného válečku jsou choulostivé a nesmíte se jich dotýkat kovovými předměty, například šroubovákem. Čištění bude snazší, pokud nejprve stisknete tlačítko **PLAY**, čímž se hlava a hnací váleček vysunou tak, že na ně půjde dobře vidět. Po vyčištění mechanismu se ujistěte, že jste stiskli tlačítko **STOP/EJ**. Pokud přístroj ponecháte se stisknutým tlačítkem **PLAY** po vypnutí, může dojít k poškození hnacího hrotu. V žádném případě se nepokoušejte jakoukoliv část přístroje promazávat.

## POUŽÍVÁNÍ CD/MP3

### DISKY PRO PŘEHŘÁVÁNÍ

Tento přístroj je schopen přehrávat veškerá digitální zvuková CD, MP3, finalizované digitální nahrávací audio disky (CD-R), finalizované digitální prepisovatelné audio disky (CD-RW) a digitální audio disky CD, CD-R a CD-RW formátované jako CD-DA.

### VLOŽENÍ DISKU

1. Stisknutím tlačítka **⏻ /FUNC.** zvolte režim **CD**.
2. Otevřete prostor pro CD. Na displeji se zobrazí "**OPEN**" (Otevřeno).
3. Vložte na talíř CD potištěnou stranou směrem nahoru.
4. Zavřete talíř CD. Po načtení disku se na displeji se zobrazí celkový počet stop.
5. Chcete-li CD vyjmout, stiskněte tlačítko **■ /MENU/INFO** a otevřete talíř CD. Uchopte CD za okraje a opatrně jej vyjměte.

*Poznámka:*

*Chcete-li zajistit dobrý výkon systému, vyčkejte před dalšími úkony, až přístroj kompletně načte disk.*



Pokud není vložen žádný disk nebo není možné jej načíst, na displeji se zobrazí "NO DISC".

## PŘEHRÁVÁNÍ DISKU

1. Po vložení disku přístroj automaticky spustí přehrávání.
2. Chcete-li přehrávání přerušit, stiskněte tlačítko **▶▶/SELECT/SCAN/PAIR**. Na displeji začne blikat indikátor aktuální doby přehrávání. Přehrávání obnovíte opětovným stisknutím tlačítka **▶▶/SELECT/SCAN/PAIR**.
3. Chcete-li přehrávání zastavit, stiskněte tlačítko **■/MENU/INFO**. Na displeji se zobrazí celkový počet stop.

## VOLBA POŽADOVANÉ STOPY/PASÁŽE

### Volba požadované stopy

- Stiskněte opakovaně tlačítko **▶▶/TUN+** nebo **◀◀/TUN-** v režimu zastavení nebo během přehrávání, dokud se na displeji neobjeví požadovaná stopa.
- Stisknutím tlačítka **▶▶/SELECT/SCAN/PAIR** spustíte přehrávání.

### Vyhledání určité pasáže během přehrávání (prohledávání stopy vysokou rychlostí)

Stisknutím a podržením tlačítka **▶▶/TUN+** nebo **◀◀/TUN-** můžete aktuálně přehrávanou stopu prohledávat vysokou rychlostí, dokud nenarazíte na požadovanou pasáž. Poté tlačítko pusťte. Přehrávání se spustí znovu od tohoto bodu.

### Volba skladby, jejíž číslo stopy je vyšší než 10 (pouze u disků MP3)

Chcete-li vybrat skladbu/stopu, jejíž číslo je vyšší než 10, při každém stisknutí tlačítka **10/FOLD./MEM.+** nebo **10/FOLD./MEM.-** přeskočíte o 10 stop směrem vpřed nebo vzad. Poté pomocí tlačítek **▶▶/TUN+** nebo **◀◀/TUN-** zvolte požadovanou stopu. Například: Jestliže chcete vybrat 17. stopu a nacházíte se ve stopě číslo 1, stiskněte tlačítko **10/FOLD./MEM.+** a bezprostředně poté stiskněte šestkrát tlačítko **▶▶/TUN+.**

### Volba požadované složky (pouze u disků MP3)

(jestliže disk MP3 obsahuje více než jednu složku)

Chcete-li během přehrávání přeskočit na požadovanou složku, stiskněte a podržte tlačítko **10/FOLD./MEM.+** nebo **10/FOLD./MEM.-** po dobu 2 vteřin, čímž se dostanete do další nebo předchozí složky.

## PROGRAMOVÁNÍ STOP

Programování stop na disku je možné, pokud je zastaveno přehrávání. Do paměti lze uložit až 20 stop z CD nebo 99 stop z disku MP3, a to v libovolném pořadí.

1. V režimu zastavení stiskněte tlačítko **PROG./M/P-MODE**. Na displeji bude blikat "T-000" a zapne se indikátor "P01".
2. Pomocí tlačítka CD **▶▶/TUN+** nebo **◀◀/TUN-** zvolte první požadovanou stopu, která se má naprogramovat.
3. Potvrďte stisknutím tlačítka **PROG./M/P-MODE**. Na displeji se zobrazí "P02".
4. Opakováním kroků 2 a 3 ukládejte další stopy, dokud nenaprogramujete všechny požadované stopy.
5. Stisknutím tlačítka **▶▶/SELECT/SCAN/PAIR** spustíte přehrávání od první naprogramované stopy.
6. Naprogramované přehrávání zastavíte stisknutím tlačítka **■/MENU/INFO**.

### Chcete-li paměť (program) vymazat

Pro vymazání programu jsou k dispozici dvě možnosti:

1. Stiskněte tlačítko **■/MENU/INFO** když je disk zastaven.
2. Otevřete prostor pro CD, čímž se program vymaže.



**POZNÁMKA:** Pokud se v paměťové jednotce USB nebo na disku MP3 nachází více složek, je třeba nejprve naprogramovat složku a až poté stopy. Stisknutím tlačítka **10/FOLD./MEM.+** nebo **10/FOLD./MEM.-** zvolte první složku, kterou chcete programovat. Poté tlačítka **▶▶/TUN+** nebo **◀◀/TUN-** zvolte první požadovanou stopu, kterou chcete naprogramovat a potvrďte stisknutím tlačítka **PROG./M/P-MODE**. Zobrazení na displeji se změní na **"P02"**.

## OPAKOVÁNÍ

### Opakování jedné stopy

1. V režimu přehrávání stiskněte jednou tlačítka **PROG./M/P-MODE**. Na displeji se nepřerušovaně zobrazí **"REP-1"**. Aktuální stopa se bude opakovaně přehrávat, dokud nestisknete tlačítka **■/MENU/INFO**.
2. Chcete-li funkci opakování zrušit, stiskněte tlačítka **PROG./M/P-MODE**, dokud indikátor **"REP-1"** nezmizí z LCD displeje.

### Opakování všech stop

1. Stiskněte opakovaně tlačítka **PROG./M/P-MODE** v režimu přehrávání, dokud se na displeji nezobrazí nepřerušovaně **"REP-ALL"**. Budou se opakovaně přehrávat všechny stopy, dokud nestisknete tlačítka **■/MENU/INFO**.
2. Chcete-li funkci opakování zrušit, stiskněte tlačítka **PROG./M/P-MODE**, dokud indikátor **"REP-ALL"** nezmizí z LCD displeje.

### Opakování aktuální složky (pouze u MP3)

1. Stiskněte opakovaně tlačítka **PROG./M/P-MODE** v režimu přehrávání, dokud se na displeji nezobrazí nepřerušovaně **"REP-ALBUM"**. Bude se opakovaně přehrávat aktuální složka, dokud nestisknete tlačítka **■/MENU/INFO**.
2. Chcete-li funkci opakování zrušit, stiskněte **PROG./M/P-MODE**, dokud indikátor **"REP-ALBUM"** nezmizí z LCD displeje.

## PŘEHRÁVÁNÍ V NÁHODNÉM POŘADÍ

Stiskněte opakovaně tlačítka **PROG./M/P-MODE**, dokud nebude na displeji nepřerušovaně svítit **"RANDOM"** (Náhodně). Náhodné přehrávání se okamžitě spustí a bude pokračovat, dokud se nepřehrají všechny stopy. Chcete-li opakované přehrávání zrušit, stiskněte tlačítka **PROG./M/P-MODE**.

## PŘEHRÁNÍ ZAČÁTKŮ STOP (INTRO)

Stiskněte opakovaně tlačítka **PROG./M/P-MODE** dokud nebude na displeji nepřerušovaně svítit **"INTRO"** (Přehrávání začátků stop). Spustí se přehrávání začátků stop, přičemž se přehraje vždy 10 vteřin každé stopy. Chcete-li přehrávání začátků stop zrušit, stiskněte tlačítka **PROG./M/P-MODE** dokud z displeje nezmizí **"INTRO"**.

## POUŽÍVÁNÍ USB

1. Stisknutím tlačítka **⏻/FUNC** zvolte režim **USB**.
2. Ke VSTUPU USB připojte zařízení USB. Displej LCD zobrazí celkový počet stop uložený na USB. Po načtení zařízení USB spustí přístroj automaticky přehrávání.
3. Přehrávání zastavíte stisknutím tlačítka **■/MENU/INFO**. Displej zobrazí celkový počet stop a složek na zařízení USB.
4. Dále můžete pokračovat opakovaným přehráváním (opakování stopy – opakování složky – opakování všeho - náhodné přehrávání - intro) jak je popsáno v části POUŽÍVÁNÍ CD/MP3.

**POZOR:** Aby nedošlo ke škodlivému rušení, nepoužívejte pro připojení zařízení USB k přístroji prodlužovací kabely USB.

## POUŽÍVÁNÍ BLUETOOTH

1. Stisknutím tlačítka **⏻/FUNC.** přepněte na funkci **BLUETOOTH**. Na LCD displeji bude vysokou rychlostí blikat "**UNCONNECT**".
2. Zapněte funkci Bluetooth na zařízení, vyhledejte přístroj "**JVC RC-E561B-DAB**" a proveďte propojení. Poté v případě nutnosti zadejte heslo 0000. Symbol "**BT MODE CONNECT**" bude pomalu blikat, což znamená, že připojení bylo provedeno. Přehrávání spustíte stisknutím tlačítka **▶||/SELECT/SCAN/PAIR** na přístroji nebo tlačítka pro přehrávání na připojeném zařízení.
3. Pokud nedorazíte ke spojení přístroje pomocí funkce Bluetooth do 2 minut, stiskněte a podržte tlačítko **▶||/SELECT/SCAN/PAIR** na přístroji, čímž se pokus o propojení zopakuje.
4. Pomocí tlačítek **VOL.+/-** nastavte požadovanou úroveň hlasitosti.
5. Pomocí tlačítek **▶||/TUN+** nebo **◀◀/TUN-** na přístroji zvolte požadovanou stopu.
6. Chcete-li přehrávání zastavit, stiskněte tlačítko **▶||/SELECT/SCAN/PAIR**.

*Poznámka: Bluetooth nejlépe funguje do vzdálenosti 10 metrů.*

## POUŽÍVÁNÍ EXTERNÍHO VSTUPU AUX-IN

Přístroj má konektor externího vstupu 3,5 mm, s jehož pomocí lze k přístroji připojit a zesílit další zdroje zvuku.

1. Připojte do konektoru externího vstupu AUX IN audio kabel (není přiložen) a druhý konec zapojte do konektoru zvukového výstupu externího zdroje zvuku. Přístroj se automaticky přepne do režimu externího zdroje zvuku AUX.
2. Upravte hlasitost hlavní jednotky na požadovanou úroveň.
3. Přehrávání spustíte stisknutím tlačítka PLAY externího zařízení (např. přehrávače MP3).

## ÚDRŽBA KOMPAKTNÍHO DISKU

Používejte vždy kompaktní disky s označením dle obrázku.



Poznámky ke kompaktním diskům:

- Při vyjímání disku z jeho krabičky a vkládání do přehrávače se nedotýkejte lesklého povrchu disku s nahrávkou.
- Na povrch disku nic nelepte ani nepište.
- Disk neohýbejte.

Uskladnění

- Skladujte disk v jeho krabičce.
- Nevystavujte disky přímému slunci ani vysoké teplotě, vysoké vlhkosti a prachu.

Čištění disku

- Jestliže dojde ke znečištění disku, otřete prach, nečistoty a otisky prstů měkkou tkaninou.
- Disk je třeba čistit od středu k okrajům.
- Nikdy nepoužívejte benzen, ředidla, tekutiny na čištění desek ani antistatické spreje.
- Ujistěte se, že dvířka prostoru pro CD jsou vždy zavřena, aby nedošlo ke znečištění čočky prachem.
- Nedotýkejte se čočky.

## TECHNICKÉ SPECIFIKACE

### VŠEOBECNÉ

Napájení	AC 100-240V ~ 60/50Hz DC 9V UM-1/D x 6 ks
Příkon	14 W
Standby v pohotovostním režimu	< 0,5 W
Hmotnost	přibližně 1,7 kg
Rozměry	přibližně 285 (Š) x 213 (H) x 140 (V) mm
Provozní teplota	+5°C – +35°C

### SEKCE PŘIJÍMAČE

Kmitočtový rozsah FM	87,5 – 108 MHz
Kmitočtový rozsah DAB+	174,928 – 239,200 MHz

### SEKCE BLUETOOTH

Kmitočtový rozsah BT	2402 – 2480 MHz
EIRP	2,64 dBm

### SEKCE KOMPAKTNÍHO DISKU

Optický snímač	3 – paprskový laser
Kmitočtová odezva	100 Hz – 16 kHz

### SEKCE KAZETOVÉHO MAGNETOFONU

Nahrávací systém	2 stopy, 2 kanály (stereo)
Systém předpětí	předpětí stejnosměrným proudem
Kmitočtová odezva	125 – 6,3 kHz
Pomalé a rychlé kolísání	0,35 % WRMS (JIS)

### SEKCE AUDIO

Výstupní výkon	2 x 1,5 W RMS
----------------	---------------

### PŘÍSLUŠENSTVÍ

Návod k použití, Síťový kabel, Dálkový ovladač

**ZMĚNA TECHNICKÉ SPECIFIKACE VÝROBKU VYHRAZENA VÝROBCEM.**

Informace o výrobku a servisní síti najdete na internetové adrese [www.JVCAUDIO.cz](http://www.JVCAUDIO.cz)



**VAROVÁNÍ:** NEVYSTAVUJTE SPOTŘEBIČ DEŠTI NEBO VLHKOSTI ABYSTE PŘEDEŠLI VZNIKU POŽÁRU NEBO ÚRAZU ELEKTRICKÝM PROUDEM. VŽDY SPOTŘEBIČ VYPNĚTE ZE ZÁSUVKY, KDYŽ JEJ NEPOUŽÍVÁTE NEBO PŘED OPRAVOU. V PŘÍSTROJI NEJSOU ŽÁDNÉ ČÁSTI OPRAVITELNÉ SPOTŘEBITELEM. VŽDY SE OBRACEJTE NA KVALIFIKOVANÝ AUTORIZOVANÝ SERVIS. PŘÍSTROJ JE POD NEBEZPEČNÝM NAPĚTÍM.



NEBEZPEČÍ UDUŠENÍ. PE SÁČEK ODKLÁDEJTE MIMO DOSAH DĚTÍ. SÁČEK NENÍ NA HRANÍ. NEPOUŽÍVEJTE TENTO SÁČEK V KOLÉBKÁCH, POSTÝLKÁCH, KOČÁRCÍCH NEBO DĚTSKÝCH OHRÁDKÁCH.

### Likvidace starých elektrických a elektronických zařízení

(Vztahuje se na Evropskou unii a evropské země se systémy odděleného sběru)



Tento symbol umístěný na výrobku nebo jeho balení upozorňuje, že by s výrobkem po ukončení jeho životnosti nemělo být nakládáno jako s běžným odpadem z domácnosti. Je nutné ho odvézt do sběrného místa pro recyklaci elektrického a elektronického zařízení. Zajištěním správné likvidace tohoto výrobku pomůžete zabránit případným negativním dopadům na životní prostředí a lidské zdraví, které by jinak byly způsobeny nevhodnou likvidací výrobku. Recyklováním materiálů, z nichž je vyroben, pomůžete ochránit přírodní zdroje. Podrobnější informace o recyklaci tohoto výrobku zjistíte u příslušného místního obecního úřadu, podniku pro likvidaci domovních odpadů nebo v obchodě, kde jste výrobek zakoupili.

Tímto ETA a.s. prohlašuje, že typ rádiového zařízení RC-E561B-DAB je v souladu se směrnicí 2014/53/EU. Úplné znění EU prohlášení o shodě je k dispozici na této internetové adrese: [www.JVCAUDIO.cz/doc](http://www.JVCAUDIO.cz/doc)

## WPROWADZENIE

- Dziękujemy za zakup naszego produktu.
- Prosimy o przeczytanie niniejszej instrukcji obsługi, aby wiedzieć, jak prawidłowo obsługiwać sprzęt. Po przeczytaniu instrukcji obsługi odłóż ją w bezpieczne miejsce, aby móc z niej skorzystać w przyszłości.

## OSTRZEŻENIE

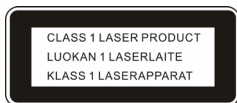
Aby uniknąć pożaru lub porażenia prądem, nie należy tego urządzenia wystawiać na działanie deszczu lub wilgoci. Aby uniknąć porażenia prądem, nie otwieraj obudowy i zlecaj czynności serwisowe wyłącznie wykwalifikowanemu personelowi.

## UWAGA

Używanie elementów sterujących, regulacja lub wykonywanie procedur innych niż określone w niniejszym dokumencie może spowodować narażenie na niebezpieczne promieniowanie.

## NIEBEZPIECZEŃSTWO

Występuje niewidzialne promieniowanie laserowe, gdy urządzenie jest otwarte i blokada za-  
wiodła lub została wyłączona. Unikaj bezpośredniego narażenia na promień.



Ten odtwarzacz płyt kompaktowych jest klasyfikowany jako PRODUKT LASEROWY Klasy 1. Etykieta oznaczająca PRODUKT LASEROWY KLASY 1 znajduje się z tyłu obudowy.

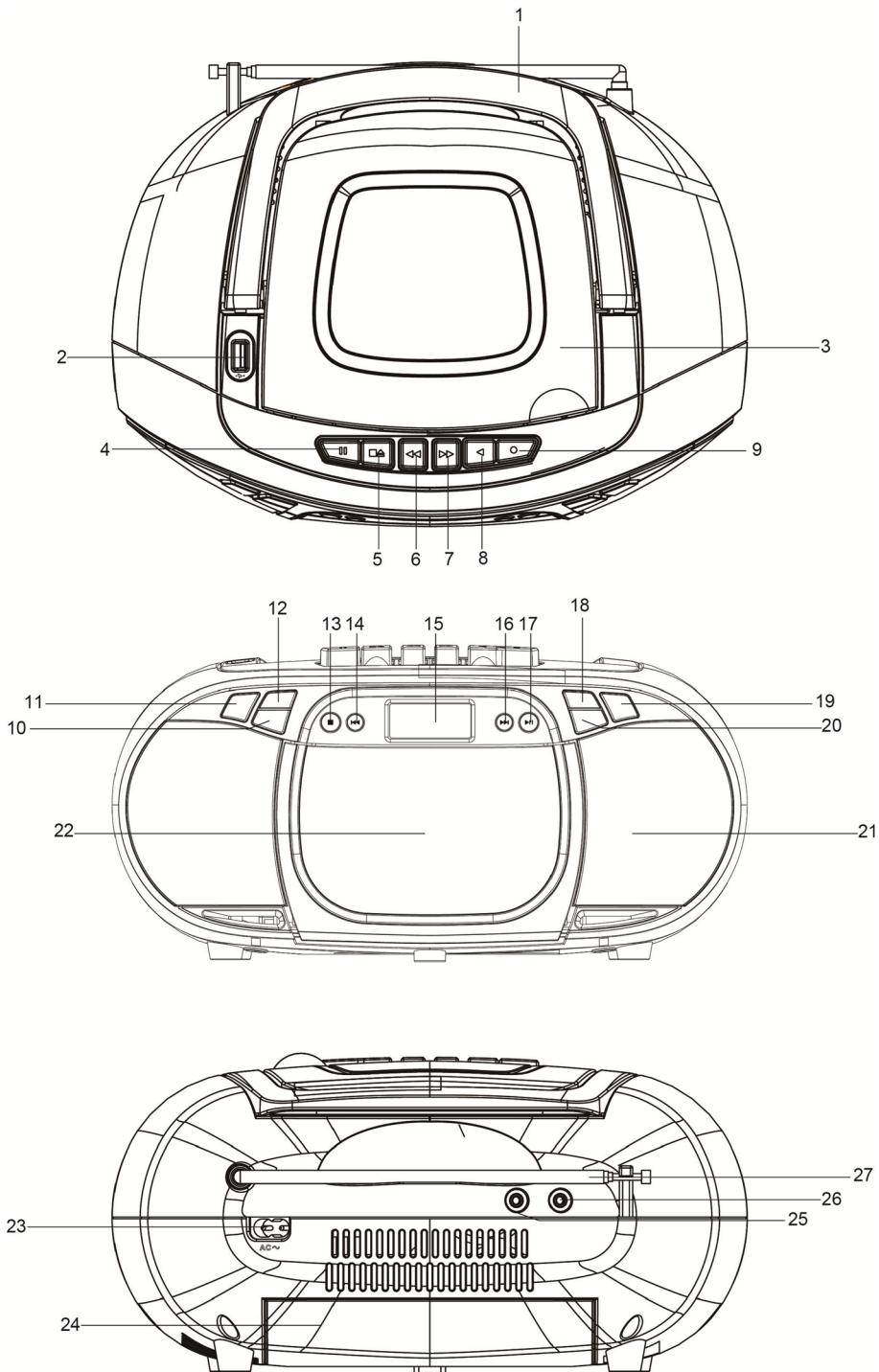
*UWAGA: Producent nie ponosi odpowiedzialności za jakiegokolwiek zakłócenia radiowe lub telewizyjne spowodowane przez nieautoryzowane modyfikacje, które mogą unieważnić prawo użytkownika do korzystania z urządzenia.*

- Unikaj instalowania urządzenia w miejscach opisanych poniżej:
  - Miejsca narażone na bezpośrednie działanie promieni słonecznych lub w pobliżu urządzeń emitujących ciepło, takie jak grzejniki elektryczne, na innych urządzeniach stereo, które emitują zbyt dużo ciepła.
  - Miejsca blokujące wentylację lub miejsca zakurzone.
  - Miejsca narażone na ciągłe wibracje.
  - Miejsca wilgotne lub mokre.
- Używaj pokręteł i przełączników zgodnie z instrukcją.
- Przed pierwszym włączeniem zasilania upewnij się, że przewód zasilający jest prawidłowo zainstalowany.

**UWAGA:** Wyjmij baterie, jeżeli są rozładowane lub jeśli nie będą ponownie używane przez długi czas. Nieprawidłowe użycie baterii może spowodować wyciek elektrolitu i spowodować korozję komory lub doprowadzić do wybuchu baterii, dlatego:

- Nie mieszaj typów baterii, np. alkalicznych z cynkowo-węglowymi.
  - Wkładając nowe baterie, wymień wszystkie baterie w tym samym czasie.
- Nie wolno połykać baterii. Ryzyko oparzenia chemicznego (pilot dostarczony z urządzeniem). Produkt zawiera baterię pastylkową/guzikową. Połknięcie baterii pastylkowej/guzikowej może w ciągu zaledwie 2 godzin spowodować poważne oparzenia wewnętrzne i doprowadzić do śmierci. Trzymaj nowe i zużyte baterie z dala od dzieci. Jeżeli komora baterii nie zamyka się prawidłowo, przestań używać produktu i trzymaj go z dala od dzieci. Jeżeli uważasz, że baterie mogły zostać połknięte lub umieszczone w jakiegokolwiek części ciała, natychmiast zasięgnij porady lekarza.

# LOKALIZACJA ELEMENTÓW STERUJĄCYCH



1. SKŁADANY UCHWYT
2. PORT USB
3. KOMORA CD
4. PRZYCISK PAUSE MAGNETOFONU
5. PRZYCISK STOP/EJECT  
MAGNETOFONU
6. PRZYCISK PRZEWIJANIA DO PRZODU  
MAGNETOFONU
7. PRZYCISK PRZEWIJANIA DO TYŁU  
MAGNETOFONU
8. PRZYCISK ODTWARZANIA  
MAGNETOFONU
9. PRZYCISK NAGRYWANIA  
MAGNETOFONU
10. PRZYCISK 10/FOLD./MEM.-
11. PRZYCISK PROG./M./P-MODE
12. PRZYCISK 10/FOLD./MEM.+
13. PRZYCISK ■ /MENU/INFO
14. PRZYCISK ◀◀/TUN-
15. EKRAŃ LCD
16. PRZYCISK ▶▶/TUN+
17. PRZYCISK ▶/SELECT/SCAN/PAIR
18. PRZYCISK VOL+
19. PRZYCISK ⏻/FUNC.
20. PRZYCISK VOL-
21. GŁOŚNIKI
22. KOMORA KASETY
23. GNIAZDO AC
24. KOMORA BATERII
25. GNIAZDO AUX IN
26. WYJŚCIE SŁUCHAWKOWE
27. ANTENA FM

## **ŹRÓDŁA ZASILANIA**

To urządzenie jest przeznaczone do zasilania prądem przemiennym/stałym.

### **ZASILANIE SIECIOWE**

Podłącz mniejszy koniec przewodu zasilającego do gniazda AC w urządzeniu, a drugi większy koniec podłącz do domowego gniazdka ściennego. Jednostka zostanie automatycznie odłączona.

### **ZASILANIE BATERYJNE**

Otwórz DRZWI KOMORY BATERII. Włóż 6 sztuk baterii UM-1/D (brak w zestawie) do komory. Prosimy o przestrzeganie wskazanej polaryzacji

### **UWAGA**

- Wyjmij baterie, jeżeli są rozładowane lub używane przez długi czas.
- Baterie zawierają substancje chemiczne, dlatego należy je odpowiednio utylizować.

## **ZDALNE STEROWANIE**

### **OBSŁUGA ZDALNEGO STEROWANIA**

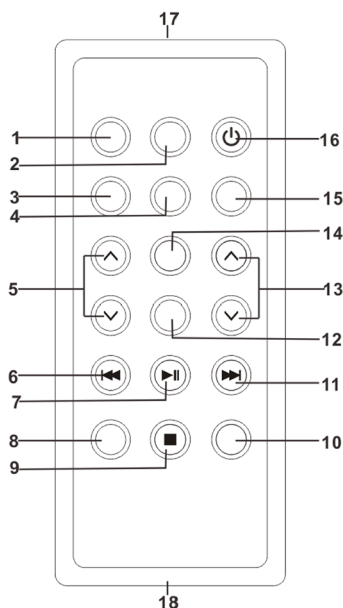
Aby obsługiwać urządzenie za pomocą pilota, skieruj pilota na czujnik zdalnego sterowania na panelu przednim i naciśnij odpowiedni przycisk na pilocie.

Pilot działa najlepiej w zasięgu 6 - 7 metrów od panelu przedniego i pod kątem 30 stopni. Jasne światło słoneczne lub oświetlenie w pomieszczeniu może zakłócać działanie pilota. Jeżeli działanie pilota jest niezadowolające lub pilot przestaje działać całkowicie, spróbuj najpierw wymienić baterie pilota, a następnie spróbuj zmniejszyć oświetlenie w pomieszczeniu.

### **WKŁADANIE BATERII LITOWEJ DO PILOTA ZDALNEGO STEROWANIA**

Pilot zawiera jedną baterię litową CR2025 (3 V).

Aby wymienić baterię, delikatnie popchnij zatrzask w odpowiednim kierunku zgodnie z instrukcją, a następnie wyciągnij komorę baterii. Wyjmij rozładowaną baterię i zainstaluj nową baterię litową (CR-2025) w komorze z biegunowością dodatnią skierowaną ku górze, następnie wepchnij komorę z powrotem. Odgłos „kliknięcia” wskazuje na zakończenie instalacji.



1. PRZYCISK FUNC.
2. PRZYCISK MUTE
3. PRZYCISK MEMORY
4. PRZYCISK SCAN
5. PRZYCISK FOLD/10/M. UP/DOWN
6. PRZYCISK CD B-SKIP ◀◀/TUN-
7. PRZYCISK CD ▶▶/PAIR
8. PRZYCISK INFO
9. PRZYCISK ■/MENU
10. PRZYCISK SELECT
11. PRZYCISK CD F-SKIP ▶▶/TUN+
12. PRZYCISK ID3
13. PRZYCISK VOLUME UP/DOWN
14. PRZYCISK P-MODE
15. PRZYCISK MO/ST
16. PRZYCISK ⏻ STANDBY
17. REMOTE SENSOR
18. BATTERY COMPARTMENT

## PODSTAWOWE FUNKCJE

### WŁĄCZANIE URZĄDZENIA

Po podłączeniu zasilania naciśnij przycisk **⏻/FUNC.**, aby włączyć urządzenie, następnie naciśnij ponownie przycisk **⏻/FUNC.**, aby wybrać tryb **FM / TAPE / CD / USB / BT** lub **DAB**.  
**OSTRZEŻENIE:** W trybie **CD / USB / AUX**, gdy urządzenie nie wykonuje głównej funkcji przez 15 minut, zostanie automatycznie przełączone w tryb gotowości. W trybie magnetofonu tylko taśma zatrzymuje się na 15 minut, urządzenie automatycznie przełączy się w tryb czuwania. Aby ponownie włączyć urządzenie, naciśnij przycisk **⏻/FUNC.** lub podłącz ponownie urządzenie.

***Wskazówki ESD** – Produkt może zostać zresetowany lub niezresetowany z powodu wyładowania elektrostatycznego, w takim wypadku wystarczy go włączyć/wyłączyć ponownie.*

### REGULACJA POZIOMU GŁOŚNOŚCI

Naciśnij przycisk **VOL.+/-**, aby zwiększyć lub zmniejszyć poziom głośności.

### GNIAZDO SŁUCHAWKOWE

Aby słuchać muzyki prywatnie, podłącz słuchawki 3,5 mm (brak w zestawie) do gniazda HEADPHONE. GŁOŚNIK zostanie automatycznie wyłączony.

***UWAGA:** SŁUCHANIE PRZY WYSOKIEJ GŁOŚNOŚCI PRZEZ DŁUGI OKRES CZASU NIE JEST DOBRE DLA TWOICH USZU.*



## OBSŁUGA RADIA FM

### STROJENIE STACJI RADIOWYCH

1. Naciśnij przycisk **☺/FUNC.**, aby wybrać tryb radia: Tryb **FM**.
2. Ustaw żadaną stację, naciskając przycisk **▶▶/TUN+** lub **◀◀/TUN-**, częstotliwość stacji pojawi się na wyświetlaczu.
3. Naciśnij przycisk **VOL.+/-**, aby ustawić głośność na wygodnym poziomie.
4. Aby zoptymalizować odbiór podczas słuchania stacji w paśmie FM, rozłóż antenę teleskopową na całą długość. Gdy odbierany jest sygnał stereo, napis **"ST"** będzie widoczny na wyświetlaczu.

### AUTOMATYCZNE SKANOWANIE STACJI RADIOWYCH (WYSZUKIWANIE)

Naciśnij i przytrzymaj przycisk **▶▶/SELECT/SCAN/PAIR** na urządzeniu, urządzenie przeprowadzi automatyczne skanowanie i zaprogramowanie stacji do momentu znalezienia silnego sygnału. Po zakończeniu skanowania urządzenie rozpocznie odbieranie transmisji ze stacji P01, naciśnij przycisk **10/FOLD./MEM+** lub **10/FOLD./MEM-**, aby wybrać żadaną zapisaną stację.

### OBSŁUGA PAMIĘCI RADIA

Możesz zapisać w pamięci do 30 stacji radiowych (FM), zgodnie z własnymi preferencjami.

1. Naciśnij przycisk **▶▶/TUN+** lub **◀◀/TUN-**, aby wybrać pierwszą żadaną stację. Następnie naciśnij przycisk i przytrzymaj przycisk **PROG./M/P-MODE** na urządzeniu, na wyświetlaczu pojawi się napis **"PRESET STORE"**.
2. Naciśnij przycisk **▶▶/TUN+** lub **◀◀/TUN-**, aby wybrać żadaną sekwencję, którą chcesz zapisać, a następnie naciśnij przycisk **▶▶/SELECT/SCAN/PAIR** na urządzeniu, aby potwierdzić.
3. Wyszukaj kolejną stację, powtórz kroki 1 i 2, aż wszystkie żądane stacje zostaną zapisane. Można zaprogramować do 30 stacji.

### OBSŁUGA RADIA DAB

Tryb radia DAB odbiera cyfrowe radio DAB/DAB+ i wyświetla informacje o stacji oraz utworach za pośrednictwem transmisji. Naciśnij przycisk **☺/FUNC.** na ekranie pojawi się napis **"Welcome to DAB"**.

### SYSTEM

Ustawienia systemowe umożliwiają wybór języków wyświetlania, przywrócenie ustawień fabrycznych i przeglądanie wersji oprogramowania.

### JĘZYK

Wybór różnych języków komunikatów na wyświetlaczu. Naciśnij i przytrzymaj przycisk **■/MENU/INFO**, aby wejść do menu wyboru, wybierz opcję **"System"** i naciśnij przycisk **▶▶/SELECT/SCAN/PAIR**, aby wejść, wybierz **"Język"**, a następnie użyj przycisku **▶▶/TUN+** lub **◀◀/TUN-**, aby wybrać żądany język i naciśnij przycisk **▶▶/SELECT/SCAN/PAIR**, aby potwierdzić.

### PRZYWRÓCENIE USTAWIEŃ FABRYCZNYCH

Przywrócenie ustawień fabrycznych może pomóc w usunięciu wszystkich ustawień zdefiniowanych przez użytkownika, zastępując je oryginalnymi wartościami domyślnymi, w tym listą stacji DAB i zaprogramowanych stacji. Naciśnij i przytrzymaj przycisk **■/MENU/INFO**, aby wejść do menu wyboru, wybierz opcję **"System"** i naciśnij przycisk **▶▶/SELECT/SCAN/PAIR**, aby wejść, wybierz **"Reset fabryczny"**, następnie użyj przycisku **▶▶/TUN+** lub **◀◀/TUN-**, aby wybrać opcję **Tak** lub **Nie**, następnie naciśnij przycisk **▶▶/SELECT/SCAN/PAIR**, aby potwierdzić.

## WERSJA OPROGRAMOWANIA

Wyświetla aktualną wersję oprogramowania. Naciśnij i przytrzymaj przycisk **■ /MENU/INFO** aby wejść do menu wyboru, wybierz opcję **"System"** i naciśnij przycisk **▶▶/SELECT/SCAN/PAIR**, aby wejść, wybierz **"Wersja SW"**, następnie naciśnij przycisk **▶▶/SELECT/SCAN/PAIR**, aby wyświetlić aktualną wersję oprogramowania.

## WYSZUKIWANIE STACJI

1. Aby wykonać pełne skanowanie, naciśnij i przytrzymaj przycisk **■ /MENU/INFO**, aby wejść do wyboru menu należy wybrać opcję **"Pełne skanowanie"** i wcisnąć przycisk **▶▶/SELECT/SCAN/PAIR** na urządzeniu, aby potwierdzić. Po zakończeniu pełnego skanowania radio wraca do odtwarzania poprzednio wybranej stacji lub pierwszej stacji na liście stacji.
2. Aby wybrać spośród zeskanowanych stacji, naciśnij przycisk **▶▶/TUN+** lub **◀◀/TUN-**, aby przewinąć listę stacji, następnie naciśnij przycisk **▶▶/SELECT/SCAN/PAIR**, aby potwierdzić. Na ekranie **"Odtwarzanie"** wyświetlone szczegóły nowej stacji.
3. Aby usunąć stacje, które znajdują się na liście, ale są niedostępne, naciśnij i przytrzymaj przycisk **■ /MENU/INFO**, aby wejść do menu wyboru, wybierz opcję **"Usuwanie"** i naciśnij przycisk **▶▶/SELECT/SCAN/PAIR**, aby wejść, naciśnij przycisk **▶▶/TUN+** lub **◀◀/TUN-**, aby wybrać opcję **TAK** lub **NIE**, a następnie naciśnij przycisk **▶▶/SELECT/SCAN/PAIR**, aby potwierdzić. Spowoduje to usunięcie wszystkich nieprawidłowych stacji, oznaczonych na liście stacji znakiem **"?"** przed nazwą stacji.

## ZAPROGRAMOWANE STACJE

Aby zapisać stację we wstępnie ustawionej pamięci, dostrój stację, którą chcesz zapisać jako zaprogramowaną, a następnie naciśnij przycisk **PROG./M/P-MODE** na urządzeniu, aby na wyświetlaczu pojawił się napis **"Ust. Zapisane"**. Użyj przycisku **▶▶/TUN+** lub **◀◀/TUN-**, aby wybrać zaprogramowaną pozycję w pamięci (przykładowo **"Ustawienie 1"**), następnie naciśnij przycisk **▶▶/SELECT/SCAN/PAIR**, aby potwierdzić. Powtórz tę operację, aby zapisać do 30 zaprogramowanych stacji.

## STROJENIE RĘCZNE

Aby wykonać skanowanie ręczne, naciśnij i przytrzymaj przycisk **■ /MENU/INFO**, aby wejść do wyboru menu, wybierz opcję **"Strojenie ręczne"** i naciśnij przycisk **▶▶/SELECT/SCAN/PAIR** aby potwierdzić. Użyj przycisku **▶▶/TUN+** lub **◀◀/TUN-**, aby wybrać żadaną stację.

## INFORMACJE „TERAZ ODTWARZANE”

Podczas odtwarzania stacji na ekranie wyświetlana jest jej nazwa oraz informacje DLS (Dynamic Label Segment) nadawane przez stację, takie jak nazwa programu, tytuł utworu i dane kontaktowe. Aby wyświetlić dalsze informacje, naciśnij przycisk **■ /MENU/INFO** za każdym razem, aby wyświetlić następny zestaw informacji, przechodząc kolejno przez: tekst DLS, informacje DL Plus (wyświetlane tylko wtedy, gdy są nadawane przez stację), siła sygnału, typ programu, nazwa zespołu, numer kanału/częstotliwość, współczynnik błędu sygnału i przepływność.

## KOMPRESJA DYNAMICZNEGO ZAKRESU (DRC)

Ta funkcja pomaga zmniejszyć różnicę między najgłośniejszym i najcichszym emitowanym dźwiękiem. W efekcie sprawia to, że dość głośne dźwięki są stosunkowo głośnie, a głośnie - stosunkowo cichsze. W tym ustawieniu dostępne są 2 następujące opcje: **DRC/Wył.**. Aby zmienić ustawienia DRC, naciśnij i przytrzymaj przycisk **■ /MENU/INFO**, aby wejść do menu wyboru, wybierz opcję **"DRC"**, następnie użyj przycisku **▶▶/SELECT/SCAN/PAIR**, aby wybrać żadaną opcję.

## OBSŁUGA MAGNETOFONU

### FUNKCJE PRZYCISKÓW

**PLAY** - Naciśnij, aby odtwarzać kasety.

**REW** - Naciśnij w trybie zatrzymania, aby przewinąć taśmę do początku.

**F.FWD** - Naciśnij w trybie zatrzymania, aby przewinąć taśmę do końca.

**STOP/EJ.** - Naciśnij, aby zatrzymać bieżącą czynność kasety lub otworzyć drzwiczki komory kasety, gdy żaden przycisk nie jest aktywny.

**PAUSE** - Naciśnij, aby przerwać odtwarzanie taśmy lub tryb nagrywania. Naciśnij drugi raz, aby wznowić tryb odtwarzania lub nagrywania na taśmie.

### ODTWARZANIE KASETY

1. Naciśnij przycisk **⏮/FUNC.**, aby wybrać tryb **TAPE**.
2. Naciśnij **STOP/EJ.** przycisk do otwierania drzwi komory kasety.
3. Włóż kasetę do komory otwartą krawędzią skierowaną do góry i pełną rolką po prawej stronie.
4. Dokładnie zamknij drzwiczki.
5. Naciśnij **REW** lub **F.FWD**, aby przewinąć taśmę do żądanego punktu początkowego.
6. Naciśnij **PLAY**, aby rozpocząć odtwarzanie taśmy.
7. Dostosuj głośność do żądanego poziomu odsłuchu.

### FUNKCJA AUTOMATYCZNEGO ZATRZYMANIA

Gdy magnetofon kasetowy działa w trybie odtwarzania lub nagrywania i taśma dobiegła końca, urządzenie automatycznie wyłącza się i przywraca wszystkie przyciski do pozycji wyłączenia.

### NAGRYWANIE Z RADIA

1. Włóż czystą taśmę do komory na taśmę i zamknij drzwiczki.
2. Naciśnij przycisk **⏮/FUNC.**, aby przełączyć urządzenie w tryb **FM** lub **DAB**.
3. Dostrój żadaną stację za pomocą przycisków **⏪** lub **⏩**.
4. Naciśnij przycisk **RECORD**, aby rozpocząć nagrywanie. Przycisk **RECORD** i **PLAY** naciskają się jednocześnie.
5. Naciśnij przycisk **STOP/EJ.**, aby zakończyć nagrywanie.
6. Aby posłuchać nagranie, postępuj zgodnie z instrukcjami dotyczącymi ODTWARZANIA KASETY.

*OSTRZEŻENIE: ZATRZYMANIE NA CHWILĘ - Użycie przycisku **PAUSE** na magnetofonie zamiast przycisku **STOP/EJ.** do chwilowego przerwania nagrania zapewnia bardzo wyraźne nagranie. Naciśnij ponownie przycisk **PAUSE**, aby wznowić nagrywanie.*

### NAGRYWANIE Z CD

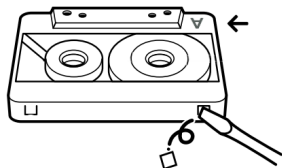
1. Włóż czystą kasetę do komory na taśmę.
2. Naciśnij przycisk **⏮/FUNC.**, aby przełączyć się w tryb **CD** lub **USB**.
3. Włóż płytę CD i wybierz żadaną ścieżkę, którą chcesz nagrać.
4. Naciśnij przycisk **▶II/SELECT/SCAN/PAIR**, aby rozpocząć odtwarzanie. Naciśnij przycisk **RECORD**, aby rozpocząć nagrywanie. Przycisk **RECORD** i **PLAY** naciskają się jednocześnie.
5. Naciśnij przycisk **PAUSE**, aby przerwać lub edytować nagranie. Naciśnij przycisk ponownie, aby wznowić nagrywanie.
6. Naciśnij przycisk **STOP/EJ.**, aby zakończyć nagrywanie.
7. Aby posłuchać nagranie, postępuj zgodnie z instrukcjami dotyczącymi ODTWARZANIA KASETY.

## RODZAJE KASET

Do robienia nagrań używaj tylko dobrej jakości kaset (IEC TYP 1). Może być używane do odtwarzania innych typów kaset, ale nie umożliwia prawidłowego nagrywania na bardziej specjalistycznych taśmach. Używanie kaset C120 w tym urządzeniu **NIE** jest zalecane.

## OCHRONA NAGRYWANIA

W normalnym trybie pracy wszystko nagrane na taśmie jest automatycznie kasowane po wykonaniu nowego nagrania. Możliwe jest zabezpieczenie nagrania przed przypadkowym skasowaniem poprzez usunięcie zakładek znajdujących się z tyłu kasety.



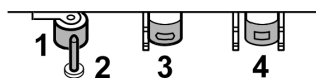
ZAKŁADKA OCHRONNA DLA STRONY "A"

Gdy kaseeta jest trzymana nagrany stroną do góry i odsłoniętą taśmą skierowaną do przodu, zakładka ochronna znajduje się z lewej tylnej części kasety.

Wszystkie nagrane wcześniej kasetki są zabezpieczone w ten sposób, aby zapobiec przypadkowemu skasowaniu komercyjnego nagrania. "Chroniona" kaseeta uniemożliwia użycie przycisku nagrywania. Jeżeli w jakimkolwiek momencie spróbujesz przeprowadzić nagrywanie i stwierdzisz, że przycisku nie da się wcisnąć, to nie używaj siły, ponieważ może to spowodować uszkodzenie mechanizmu. Sprawdź, czy kaseeta została włożona i czy zakładka ochronna nie została usunięta. Zapis na kasecie, z której usunięto zakładki, można wykonać zakrywając otwory kawałkiem taśmy klejącej.

## PIELĘGNACJA MECHANIZMU KASETY

Delikatnie wyczyść głowicę taśmy i rolki dociskowej/kabestanu po każdych 10 godzinach używania urządzenia. Dostępna jest szeroka gama produktów do pielęgnacji kaset.



1. Rolka dociskowa
2. Kabestan
3. Głowica nagrywania/odtwarzania
4. Głowica kasująca

Głowica kasująca i nagrywająca/odtwarzająca oraz powierzchnia rolki dociskowej są delikatne i nie wolno ich dotykać metalowymi przedmiotami, takimi jak śrubokręty. Czyszczenie mechanizmu może okazać się łatwiejsze po naciśnięciu przycisku **PLAY**, co spowoduje przesunięcie głowicy i rolki w bardziej dostępne miejsce. Pamiętaj, aby nacisnąć przycisk **STOP/EJ** po wyczyszczeniu mechanizmu.

Jeżeli urządzenie zostanie pozostawione w trybie **PLAY** z wyłączonym wyłącznikiem zasilania, może dojść do uszkodzenia rolki dociskowej. W żadnym wypadku nie wolno próbować smarować żadnej części urządzenia.

### PŁYTY DO ODTWARZANIA

Urządzenie może odtwarzać wszystkie cyfrowe płyty audio CD, MP3, sfinalizowane cyfrowe płyty audio CD-Recordable (CD-R), sfinalizowane cyfrowe płyty audio CD-Rewritable (CD-RW) oraz płyty CD/CD-R/CD-RW w formacie cyfrowego audio CD-DA.

### WKŁADANIE PŁYTY

1. Naciśnij przycisk **⏏/FUNC.**, aby wybrać tryb **CD**.
2. Otwórz drzwiczki CD. Komunikat **"OPEN"** pojawi się na wyświetlaczu.
3. Umieść płytę audio CD w szufladzie etykietą do góry.
4. Zamknij drzwiczki CD. Po zakończeniu odczytu na wyświetlaczu pojawi się całkowita liczba utworów.
5. Aby wyjąć płytę CD, naciśnij przycisk **■/MENU/INFO** i otwórz pokrywę komory CD, chwyć płytę CD za krawędzie i ostrożnie wyjmij.

*Uwaga:*

*Aby zapewnić dobrą wydajność systemu; poczekaj, aż szuflada na płytę w całości odczyta płytę, zanim przejdziesz dalej.*

*Jeżeli w kieszeni nie ma płyty lub płyta została włożona do góry nogami, na wyświetlaczu pojawi się komunikat **"NO DISC"**.*

### ODTWARZANIE PŁYTY

1. Po wczytaniu płyty urządzenie automatycznie rozpoczyna odtwarzanie.
2. Aby przerwać odtwarzanie, naciśnij przycisk **▶||/SELECT/SCAN/PAIR**, na wyświetlaczu zacznie migać wskaźnik „aktualnego czasu odtwarzania”. Aby wznowić odtwarzanie, naciśnij ponownie przycisk **▶||/SELECT/SCAN/PAIR**.
3. Aby zatrzymać odtwarzanie, naciśnij przycisk **■/MENU/INFO**, na wyświetlaczu pojawi się całkowita liczba utworów.

### WYBÓR ŻĄDANEJ ŚCIEŻKI/FRAGMENTU

#### Aby wybrać żądany utwór

- Naciskaj przycisk **▶||/TUN+** lub **◀◀/TUN-** w trybie zatrzymania lub podczas odtwarzania, aż na wyświetlaczu pojawi się żądany utwór.
- Naciśnij przycisk **▶||/SELECT/SCAN/PAIR**, aby rozpocząć odtwarzanie.

#### Wyszukiwanie określonego fragmentu podczas odtwarzania

##### (skanowanie utworów z dużą szybkością)

Naciśnij i przytrzymaj przycisk **▶||/TUN+** lub **◀◀/TUN-**, aby przeskanować aktualnie odtwarzany utwór z dużą prędkością, aż pojawi się żądany fragment, a następnie zwolnij przycisk. Odtwarzanie rozpocznie się ponownie od tego miejsca..

#### Aby wybrać utwór, którego numer przekracza 10 (tylko dla płyt MP3)

Aby wybrać utwór/ścieżkę, którego liczba przekracza 10, naciśnij przycisk **10/FOLD./MEM.+** lub **10/FOLD./MEM.-**, aby przeskoczyć o 10 utworów do przodu/do tyłu, a następnie naciśnij przycisk **▶||/TUN+** lub **◀◀/TUN-**, aby wybrać żądany utwór. Na przykład: aby wybrać utwór nr 17, naciśnij przycisk **10/FOLD./MEM.+**, a następnie sześć razy przycisk **▶||/TUN+**.

#### Wybór żądanego folderu (tylko dla płyt MP3)

(jeżeli płyta MP3 zawiera więcej niż jeden folder)

Aby przejść do żądanego folderu podczas odtwarzania, naciśnij i przytrzymaj przycisk **10/FOLD./MEM.+** lub **10/FOLD./MEM.-** przez około 2 sekundy, aby przejść do następnego/ poprzedniego folderu.

## ŚCIEŻKI PROGRAMU

Programowanie utworów na płycie jest możliwe, gdy odtwarzanie jest zatrzymane. W pamięci można zapisać do 20 utworów na płycie CD / 99 utworów MP3 w dowolnej kolejności.

1. W trybie zatrzymania naciśnij przycisk **PROG./M/P-MODE**, "**T-000**" zacznie migać i zaświeci się wskaźnik "**P01**".
2. Naciśnij przycisk CD **▶▶/TUN+** lub **◀◀/TUN-**, aby wybrać pierwszą żądaną ścieżkę do zaprogramowania.
3. Naciśnij przycisk **PROG./M/P-MODE.**, aby wprowadzić ścieżkę.  
Na ekranie pojawi się "**P02**".
4. Powtarzaj kroki 2 i 3, aby zapisać pozostałe żądane ścieżki, aż wszystkie ścieżki zostaną zaprogramowane.
5. Naciśnij przycisk **▶▶/SELECT/SCAN/PAIR** aby rozpocząć odtwarzanie od pierwszego zaprogramowanego utworu.
6. Naciśnij przycisk **■/MENU/INFO**, aby zatrzymać odtwarzanie programu.

### Czyszczenie pamięci (programu)

Aby wyczyścić program, masz dwie opcje:

1. Naciśnij przycisk **■/MENU/INFO**, gdy płyta jest zatrzymana.
2. Otwórz pokrywę komory CD, program zostanie skasowany.

*UWAGA: Jeżeli na płycie USB lub MP3 jest kilka folderów, konieczne jest zaprogramowanie najpierw folderów, a następnie ścieżek. Naciśnij przycisk **10/FOLD./MEM.+** lub **10/FOLD./MEM.-**, aby wybrać pierwszy folder, który chcesz zaprogramować. Następnie naciśnij przycisk **▶▶/TUN+** lub **◀◀/TUN-**, aby wybrać pierwszy utwór do zaprogramowania, naciśnij przycisk **PROG./M/P-MODE**, aby wejść. Na wyświetlaczu pojawi się napis "**P02**".*

## POWTARZANIE

### Powtarzanie pojedynczego utworu

1. Naciśnij raz przycisk **PROG./M/P-MODE** w trybie odtwarzania, na wyświetlaczu pojawi się napis "**REP-1**". Bieżący utwór będzie odtwarzany wielokrotnie, dopóki nie zostanie naciśnięty przycisk **■/MENU/INFO**.
2. Aby anulować funkcję powtarzania, naciśnij przycisk **PROG./M/P-MODE**, aby komunikat "**REP-1**" zniknął z wyświetlacza.

### Powtarzanie wszystkich utworów

1. Naciśnij przycisk **PROG./M/P-MODE** w trybie odtwarzania, aby komunikat "**REP-ALL**" pojawił się na stałe na ekranie, wszystkie ścieżki na płycie będą odtwarzane wielokrotnie, aż do naciśnięcia przycisku **■/MENU/INFO**.
2. Aby anulować funkcję powtarzania, naciśnij przycisk **PROG./M/P-MODE**, aby komunikat "**REP-ALL**" zniknął z wyświetlacza.

### Powtarzanie bieżącego folderu (tylko MP3)

1. Naciśnij przycisk **PROG./M/P-MODE** w trybie odtwarzania, aby komunikat "**REP-ALBUM**" pojawił się na wyświetlaczu w sposób ciągły, bieżący folder będzie odtwarzany wielokrotnie, dopóki nie zostanie naciśnięty przycisk **■/MENU/INFO**.
2. Aby anulować funkcję powtarzania, naciśnij przycisk **PROG./M/P-MODE**, aby komunikat "**REP-ALBUM**" zniknął z wyświetlacza.

## ODTWARZANIE LOSOWE

Naciśnij przycisk **PROG./M/P-MODE** w trybie odtwarzania, aby pojawił się napis "**RANDOM**" na wyświetlaczu, odtwarzanie losowe rozpocznie się natychmiast i zostanie zakończone po odtworzeniu wszystkich ścieżek. Naciśnij raz przycisk **PROG./M/P-MODE**, aby anulować.

## ODTWARZANIE POCZĄTKÓW UTWORÓW

Naciśnij przycisk **PROG./M/P-MODE** w trybie odtwarzania, aby pojawił się napis **"INTRO"** na wyświetlaczu, tryb odtwarzania początków utworów zostanie włączony i nastąpi odtwarzanie pierwszych 10 sekund każdego utworu. Aby anulować funkcję odtwarzania początków utworów, naciśnij przycisk **PROG./M/P-MODE**, aby napis **"INTRO"** zniknął z wyświetlacza

## OBSŁUGA USB

1. Naciśnij przycisk **⏪/FUNC.**, aby wybrać tryb **USB**.
2. Podłącz urządzenie USB do WEJŚCIA USB. Wyświetlacz LCD pokaże całkowitą liczbę ścieżek i folderów zapisanych na urządzeniu USB. Po wczytaniu zawartości urządzenia USB urządzenie automatycznie rozpocznie odtwarzanie.
3. Naciśnij przycisk **■/MENU/INFO**, aby zatrzymać odtwarzanie. Wyświetlacz pokaże całkowitą liczbę utworów i folderów.
4. Kontynuuj odtwarzanie z powtarzaniem (powtórz 1 - powtórz folder - powtórz wszystko - odtwarzanie losowe - odtwarzanie początków utworów), jak opisano powyżej w punkcie **OBSŁUGA CD/MP3**.

**UWAGA:** Nie używaj przedłużacza USB do podłączenia urządzeń USB, ponieważ może to powodować szkodliwe zakłócenia

## OBSŁUGA BLUETOOTH

1. Naciśnij przycisk **⏪/FUNC.**, aby przejść do trybu i **BLUETOOTH**, na ekranie LCD zacnie szybko migać napis **"UNCONNECT"**.
2. Włącz funkcję Bluetooth w urządzeniu, przeskanuj urządzenie **"JVC RC-E561B-DAB"** i połącz się z nim, a następnie wprowadź hasło 0000, jeżeli jest to wymagane, napis **"BT MODE CONNECT"** będzie się stale wyświetlać, wskazując, że połączenie zostało nawiązane. Naciśnij przycisk **▶||/SELECT/SCAN/PAIR** a jednostce lub przycisk odtwarzania na urządzeniu, aby rozpocząć odtwarzanie.
3. Jeżeli urządzenie nie może połączyć się za pomocą interfejsu Bluetooth w ciągu 2 minut, naciśnij i przytrzymaj przycisk **▶||/SELECT/SCAN/PAIR** na urządzeniu, aby przeprowadzić ponowną próbę połączenia.
4. Użyj przycisków **VOL.+/-**, aby wybrać żądany poziom.
5. Użyj przycisków **▶||/TUN+** lub **◀◀/TUN-**, aby wybrać żądaną ścieżkę.
6. Aby przerwać odtwarzanie, naciśnij przycisk **▶||/SELECT/SCAN/PAIR**.

*Uwaga: Bluetooth działa najlepiej w promieniu do 10 metrów.*

## OBSŁUGA AUX IN

To urządzenie jest wyposażone w gniazdo AUX IN 3,5 mm, przez które można podłączyć inne źródła dźwięku do tego urządzenia i wzmocnić je.

1. Podłącz kabel audio (brak w zestawie) do gniazda AUX IN, a drugi koniec do gniazda AUDIO OUT zewnętrznego źródła dźwięku. Urządzenie automatycznie przejdzie w tryb AUX.
2. Wyreguluj głośność urządzenia głównego do żądanego poziomu.
3. Naciśnij przycisk **PLAY** na zewnętrznym źródle dźwięku (np. odtwarzaczu MP3), aby rozpocząć odtwarzanie.

## KONSERWACJA PŁYT KOMPAKTOWYCH

Zawsze używaj płyty kompaktowej z oznaczeniem, jak pokazano..



Uwagi dotyczące obchodzenia się z płytami

- Wyjmuj płytę z opakowania i wkładaj do urządzenia.
- Nie dotykaj odblaskowej powierzchni z nagraniem.
- Nie przyklejaj papieru ani nie zapisuj niczego na powierzchni.
- Nie zginaj płyty.

Przechowywanie

- Przechowuj płytę w jej pudełku.
- Nie wystawiaj płyt na bezpośrednie działanie promieni słonecznych, wysokich temperatur, dużej wilgotności lub zakurzonych miejsc.

Czyszczenie płyty

- Jeżeli płyta ulegnie zabrudzeniu, zetrzyj kurz, brud i odciski palców miękką szmatką.
- Płytę należy czyścić od środka do krawędzi.
- Nigdy nie używaj benzenu, rozcieńczalników, płynu do czyszczenia płyt ani sprayu antystatycznego.
- Upewnij się, że drzwiczki płyty CD są zamknięte, aby soczewka nie została zanieczyszczona kurzem.
- Nie dotykaj soczewki.



## SPECYFIKACJE

### INFORMACJE OGÓLNE

Wymagania dotyczące zasilania	AC 100-240V ~ 60/50Hz DC 9V UM-1/D x 6 szt
Pobór mocy	14 W
Pobór mocy w trybie czuwania	< 0,5 W
Waga	około 1,7 kg
Rozmęry	około 285 (szer.) x 213 (dł.) x 140 (wys.) mm
Temperatura pracy	+5°C – +35°C

### SEKCJA ODBIORNIKA

Zakres częstotliwości FM	87,5 – 108 MHz
Zakres częstotliwości DAB+	174,928 – 239,200 MHz

### SEKCJA BLUETOOTH

Zakres częstotliwości BT	2402 – 2480 MHz
EIRP	2,64 dBm

### SEKCJA PŁYT KOMPAKTOWYCH

Przetwornik optyczny	Laser 3-wiązkowy
Pasma przenoszenia	100 Hz – 16 kHz

### SEKCJA KASETOWA

System nagrywania	2 ścieżki, 2 kanały (stereo)
System odchylenia prądu stałego	DC Bias
Pasma przenoszenia	125–6.3 kHz
Drżenie i kołysanie	0.35 % WRMS (JIS)

### SEKCJA AUDIO

Moc wyjściowa	2 x 1,5 W RMS
---------------	---------------

### AKCESORIA

Broszura z instrukcją, Przewód AC, Zdalne Sterowanie

**ZMIANA SPECYFIKACJI TECHNICZNEJ PRODUKTU ZASTRZEŻONA PRZEZ PRODUCENTA.**

Więcej informacji dotyczących urządzenia oraz serwisu znajduje się na naszej stronie internetowej [www.JVCAUDIO.pl](http://www.JVCAUDIO.pl)



**OSTRZEŻENIE:** ABY UNIKNĄĆ NIEBEZPIECZEŃSTWA POŻARU LUB PORAŻENIA PRĄDEM ELEKTRYCZNYM, NIE WOLNO WYSTAWIAĆ SPRZĘTU NA DZIAŁANIE DESZCZU BĄDŹ WILGOCI. URZĄDZENIE ODBIORCZE ZAWSZE WYŁĄCZYĆ Z GNIAZDKA, KIEDY NIE JEST UŻYWANE LUB PRZED NAPRAWĄ. W URZĄDZENIU NIE MA ŻADNYCH CZĘŚCI, KTÓRE BY MÓGŁ ODBIORCASAMODZIELNIE NAPRAWIAĆ. NAPRAWĘ SPRZĘTU NALEŻY ZLECIĆ ODPOWIEDNIO PRZYGOTOWANEMU SERWISU AUTORYZACYJNEMU. URZĄDZENIE ZNAJDUJE SIĘ POD NIEBEZPIECZNYM NAPIĘCIEM.



NIEBEZPIECZEŃSTWO UDUSZENIA. TOREBKĘ Z PE POŁOŻYĆ W MIEJSCU BĘDĄCYM POZA ZASIĘGIEM DZIECI. TOREBKA NIE SŁUŻY DO ZABAWY! TEGO WORKA NIE NALEŻY UŻYWAĆ W KOŁYSKACH, ŁÓŻECZKACH, WÓZKACH LUB KOJCACH DZIECIĘCYCH.

### Utylizacja zużytego sprzętu

(stosowane w krajach Unii Europejskiej i w pozostałych krajach europejskich stosujących systemy zbiórki)



Ten symbol na produkcie lub jego opakowaniu oznacza, że produkt nie może być traktowany jako odpad komunalny, lecz powinno się go dostarczyć do odpowiedniego punktu zbiórki sprzętu elektrycznego i elektronicznego, w celu recyklingu. Odpowiednie zadysponowanie zużytego produktu zapobiega potencjalnym negatywnym wpływom na środowisko oraz zdrowie ludzi, jakie mogłyby wystąpić w przypadku niewłaściwego zagospodarowania odpadów. Recykling materiałów pomaga chronić środowisko naturalne. W celu uzyskania bardziej szczegółowych informacji na temat recyklingu tego produktu, należy skontaktować się z lokalną jednostką samorządu terytorialnego, ze służbami zagospodarowywania odpadów lub ze sklepem, w którym zakupiony został ten produkt.

Niniejszym ETA a.s. oświadcza, że sprzęt radiowy typu RC-E561B-DAB spełnia wymagania dyrektywy 2014/53/EU. Pełny tekst deklaracji zgodności jest dostępny pod poniższym adresem internetowym: [www.JVCAUDIO.cz/doc](http://www.JVCAUDIO.cz/doc)

## ÚVOD

- Ďakujeme vám za zakúpenie tohto výrobku.
- Prečítajte si prosím tento návod na použitie, aby ste sa dozvedeli, ako správne s prístrojom zaobchádzať. Po prečítaní návodu na použitie ho uložte na bezpečné miesto k možnému neskoršiemu využitiu.

## UPOZORNENIE

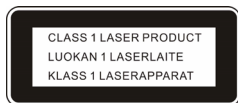
Aby nedošlo k požiaru alebo úrazu elektrickým prúdom, nevystavujte zariadenie dažďu ani vlhkosti. Neotvárajte skriňu prístroja, inak hrozí nebezpečenstvo úrazu elektrickým prúdom. Prenechajte servis kvalifikovaným osobám.

## POZOR

Používanie ovládacích prvkov či úprav alebo aplikácie postupov odlišných od tých, ktoré sú popísané v tomto návode, môže viesť k nebezpečnému ožiareniu.

## NEBEZPEČIE

Po otvorení prístroja a zlyhaní alebo prekonaní bezpečnostných zámkov hrozí ožiarenie neviditeľným laserovým lúčom. Dbajte, aby ste sa lúču priamo nevystavili.



Tento prehrávač kompaktných diskov je klasifikovaný ako LASEROVÝ PRODUKT TRIEDY 1. Štítok LASEROVÝ PRODUKT TRIEDY 1 sa nachádza na vonkajšej strane zadnej časti.

*POZNÁMKA: Výrobca nie je zodpovedný za rušenie rádia alebo televízora spôsobené neoprávnenými úpravami, ktoré môžu viesť k neplatnosti oprávnenia užívateľa toto vybavenie používať.*

- Neinštalujte prístroj na nižšie uvedených miestach:
  - Miesta vystavené priamemu slnku alebo v blízkosti spotrebičov vyžarujúcich teplo, napríklad v elektrických vykurovacích telesách, ani prístroj nestavajte na iné audio zariadenia, ktoré vydávajú príliš veľké množstvo tepla.
  - Nevetrané alebo prašné miesta.
  - Miesta vystavené stálym vibráciám.
  - Vlhké alebo mokré miesta.
- Otočné gombíky a vypínače používajte podľa pokynov v návode.
- Pred prvým zapnutím sa uistite, že je riadne nainštalovaný sieťový kábel.

**UPOZORNENIE:** Ak sú batérie vybité alebo ich nebudete dlhší čas používať, vyberte ich z prístroja. Nesprávne použitie batérií môže spôsobiť únik elektrolytu a koróziu priestoru pre batérie alebo roztrhnutiu batérií, preto:

- Nekombinujte rôzne druhy batérií, napr. alkalické sa zinkovo-uhlíkovými
- Ak inštalujete nové batérie, vymeňte všetky batérie naraz.

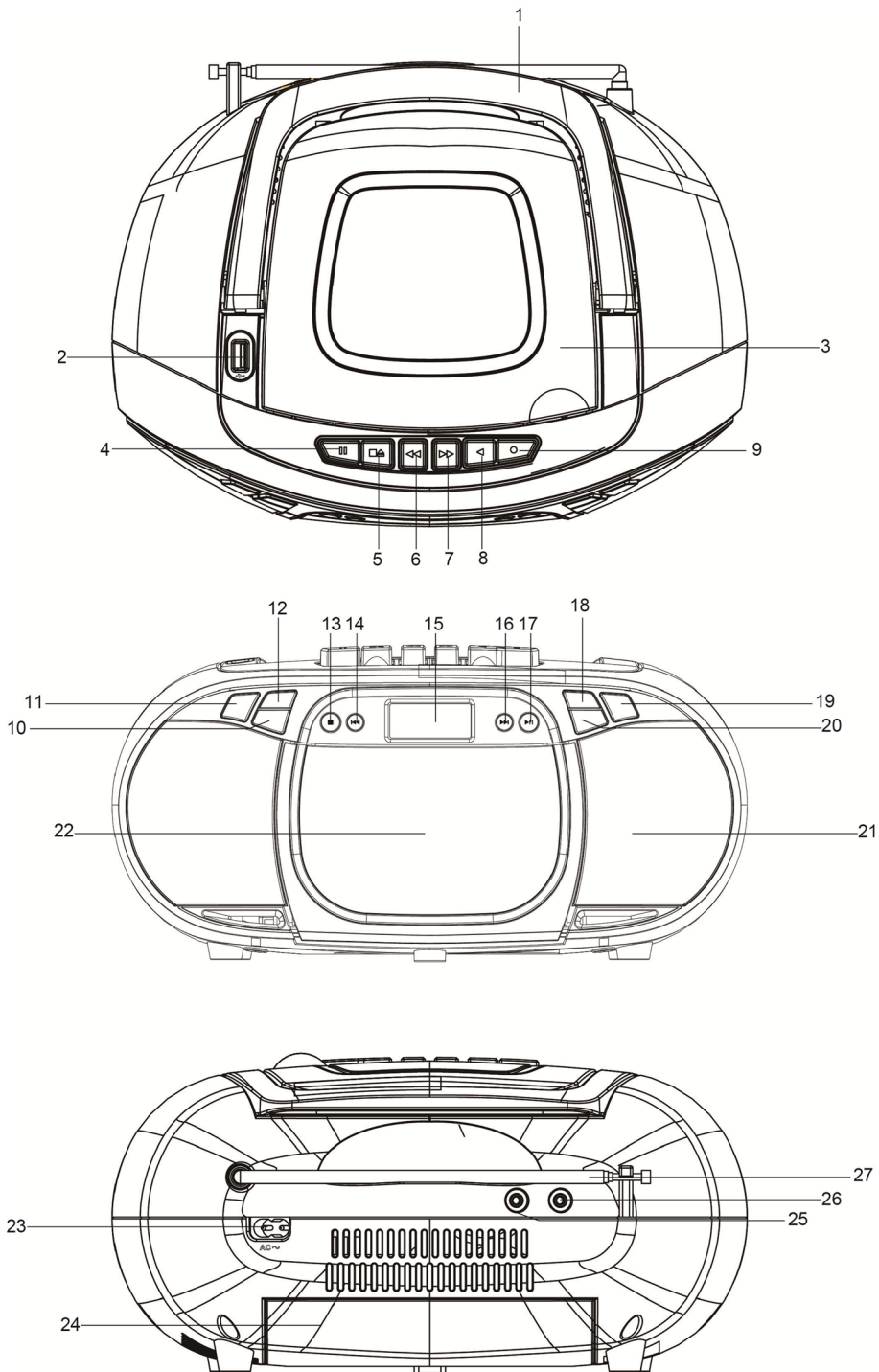
Dbajte, aby nedošlo k prehltnutiu batérie (v priloženom diaľkovom ovládači), hrozí chemické popálenie. Diaľkový ovládač obsahuje gombíkovú batériu. Pokiaľ ju prehltnete, môže to len za 2 hodiny spôsobiť vážne vnútorné popáleniny a smrť.

Nové i použité batérie uchovávajte mimo dosahu detí.

Ak nejde priestor pre batérie bezpečne uzavrieť, prestaňte výrobok používať a chráňte ho pred deťmi.

Ak si myslíte, že mohlo dôjsť k jej prehltnutiu alebo sa mohli dostať do niektorej časti tela, okamžite vyhľadajte lekársku pomoc.

# UMIESTNENIE OVLÁDACÍCH PRVKOV



1. SKLÁPACIA RUKOVÄŤ
2. VSTUP USB
3. PRIESTOR PRE CD
4. TLAČIDLO PAUZY KAZETY
5. TLAČIDLO ZASTAVENIA/VYSUNUTIA KAZETY
6. TLAČIDLO RÝCHLEHO POSUNU KAZETY VPRED
7. TLAČIDLO RÝCHLEHO POSUNU KAZETY VZAD
8. TLAČIDLO PREHRÁVANIA KAZETY
9. TLAČIDLO NAHRÁVANIA KAZETY
10. TLAČIDLO 10/FOLD./MEM.-
11. TLAČIDLO PROG./M./P-MODE
12. TLAČIDLO 10/FOLD./MEM.+
13. TLAČIDLO ■/MENU/INFO
14. TLAČIDLO ◀◀/TUN-
15. LCD DISPLEJ
16. TLAČIDLO ▶▶/TUN+
17. TLAČIDLO ►||/SELECT/SCAN/PAIR
18. TLAČIDLO VOL+
19. TLAČIDLO ⏻/FUNC.
20. TLAČIDLO VOL-
21. REPRODUKTORY
22. PRIESTOR PRE KAZETU
23. OTVOR PRE NAPÁJANIE STRIEDAVÝM PRÚDOM
24. PRIESTOR PRE BATÉRIE
25. KONEKTOR VSTUPU AUX IN
26. KONEKTOR SLÚCHADIEL
27. ANTÉNA FM

## ZDROJ NAPÁJANIA

Tento prístroj je určený k prevádzke na striedavý a jednosmerný prúd.

### PREVÁDZKA NA STRIEDAVÝ ELEKTRICKÝ PRÚD

Užší koniec sieťového kábla zapojte do elektrickej zásuvky pre striedavý prúd na prístroji a veľkú zástrčku zapojte do domovej zásuvky pre striedavý prúd. Batéria sa automaticky odpojí.

### PREVÁDZKA NA JEDNOSMERNÝ PRÚD

Otvorte kryt priestoru pre batérie. Do priestoru pre batérie inštalujte 6 kusov batérií veľkosti UM-1/D (nie sú priložené). Dodržte správnu polaritu podľa označenia.

### POZOR:

- Ak sú batérie vybité alebo ich nebudete dlhší čas používať, vyberte ich z prístroja.
- Batérie obsahujú chemické látky, preto je potrebné ich správnym spôsobom likvidovať.

## DIAĽKOVÝ OVLÁDAČ

### POUŽÍVANIE DIAĽKOVÉHO OVLÁDAČA

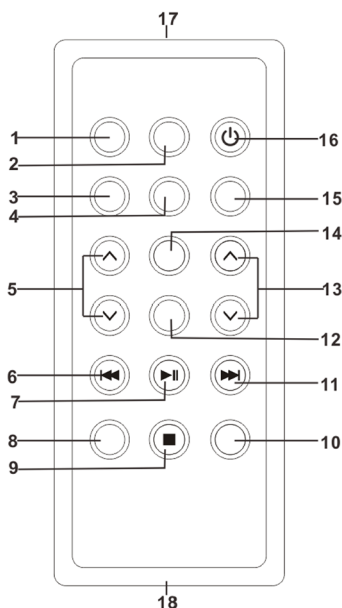
Ak chcete prístroj ovládať pomocou diaľkového ovládača, nasmerujte ho na senzor na prednom paneli a stlačte príslušné tlačidlo na diaľkovom ovládači.

Diaľkový ovládač funguje najlepšie do vzdialenosti 6 až 7 metrov od čelného panelu a pod uhlom do 30 stupňov. Diaľkové ovládanie môže byť rušené jasným snečným svetlom alebo svetelnými podmienkami v miestnosti. Ak diaľkové ovládanie funguje zle alebo vôbec, skúste v ňom najprv vymeniť batérie a potom skúste znížiť intenzitu svetla v miestnosti.

### INŠTALÁCIA LITHIOVEJ BATÉRIE DO DIAĽKOVÉHO OVLÁDAČA

Diaľkový ovládač obsahuje jednu lítiovú batériu CR2025 (3 V).

Pri výmene batérie mierne zatlačte na plošku smerom doprava podľa nákresu a potom vysuňte zásuvku s batériou. Vyberte vybitú batériu a vložte do priestoru na batérie novú lítiovú batériu (CR-2025) s dodržaním správnej polarity. Potom zasuňte zásuvku s batériou späť na miesto. Budete počuť zaklapnutie a výmena je hotová.



1. TLAČIDLO FUNC.
2. TLAČIDLO MUTE
3. TLAČIDLO MEMORY
4. TLAČIDLO SCAN
5. TLAČIDLO FOLD/10/M. UP/DOWN
6. TLAČIDLO CD B-SKIP ◀◀/TUN-
7. TLAČIDLO CD ▶▶/PAIR
8. TLAČIDLO INFO
9. TLAČIDLO ■ /MENU
10. TLAČIDLO SELECT
11. TLAČIDLO CD F-SKIP ▶▶/TUN+
12. TLAČIDLO ID3
13. TLAČIDLO VOLUME UP/DOWN
14. TLAČIDLO P-MODE
15. TLAČIDLO MO/ST
16. TLAČIDLO ⏻ STANDBY
17. SENZOR DIAL'KOVÉHO OVLÁDANIA
18. PRIESTOR PRE BATÉRIE

## ZÁKLADNÉ FUNKCIE

### ZAPNUTIE PRÍSTROJA

Po zapojení do elektriny zapnete prístroj stisnutím tlačidla **⏻/FUNC.** na prístroji, a potom opätovným stisnutím tlačidla **⏻/FUNC.** zvolíte medzi režimami **FM / TAPE / CD / USB / BT** alebo **DAB**.

**POZNÁMKA:** Pokiaľ nebudete v režime **CD / USB / AUX** s prístrojom po dobu 15 minút manipulovať, automaticky sa prepne do pohotovostného režimu. Pokiaľ bude v režime kazetového magnetofónu kazeta po dobu 15 minút zastavená, prístroj sa automaticky prepne do pohotovostného režimu. Ak budete chcieť prístroj znovu zapnúť, stlačte tlačidlo pohotovostného režimu **⏻/FUNC.** alebo prístroj vyťahnite zo zásuvky a znova zapojte.

***Tipy pre elektrostatickú elektrinu** – V dôsledku elektrostatického výboja môže dôjsť u produktu k dočasnej nefunkčnosti. V takom prípade prístroj resetujte jeho vypnutím a opätovným zapnutím.*

### NASTAVENIE HLASITOSTI

Tlačidlami **VOL.+/-** zvýšite alebo znížite hlasitosť.

### KONEKTOR SLÚCHADIEL

Ak chcete počúvať v súkromí, zapojte do konektora **SLÚCHADIEL** slúchadlá 3,5 mm (nie sú priložené). Výstup **REPRODUKTOROV** sa automaticky vypne.

**UPOZORNENIE:** *DLHODOBÉ POČÚVANIE PRI VYSOKEJ HLASITOSTI ŠKODÍ SLUCHU.*

## POUŽÍVANIE RÁDIA FM

### LADENIE ROZHLASOVÝCH STANÍC

1. Stisnutím tlačidla **⏻/FUNC.** zvolíte režim rádia **FM**.
2. Tlačidlami **▶▶/TUN+** alebo **◀◀/TUN-** naladíte požadovanú stanicu. Na displeji sa zobrazí frekvencia stanice.
3. Pomocí tlačidiel **VOL.+/-** nastavíte hlasitosť na požadovanú úroveň.
4. Ak budete chcieť optimalizovať príjem pri počúvaní staníc v pásme FM, vytiahnite teleskopickú anténu FM do plnej dĺžky. Pokiaľ sa prijíma stereofónny signál, na displeji sa zobrazí **"ST"**.

### AUTOMATICKÉ NÁJDENIE ROZHLASOVEJ STANICE (VYHĽADÁVANIE)

Stlačte a podržte tlačidlo **▶▶/SELECT/SCAN/PAIR** na prístroji. Prístroj automaticky vyhľadá silné signály a uloží ich do predvolieb. Po dokončení vyhľadávania bude prístroj vysielateľ stanicu uloženú pod číslom predvoľby P01. Pomocou tlačidiel **10/FOLD./MEM+** alebo **10/FOLD./MEM-** môžete voliť medzi uloženými stanicami.

### POUŽÍVANIE PAMÄTE PRE ROZHLASOVÉ STANICE

Do predvolieb možno uložiť 30 rozhlasových staníc (FM) podľa vášho výberu.

1. Tlačidlami **▶▶/TUN+** alebo **◀◀/TUN-** naladíte prvú požadovanú stanicu. Potom stlačte tlačidlo a potvrdíte **PROG./M/P-MODE** na prístroji. Na displeji sa zobrazí **"PRESET STORE"**.
2. Pomocou tlačidiel **▶▶/TUN+** alebo **◀◀/TUN-** zvolíte požadované číslo predvoľby, kam chcete stanicu uložiť, a potom potvrdíte tlačidlom **▶▶/SELECT/SCAN/PAIR** na prístroji.
3. Vyhľadajte ďalšiu stanicu a opakujte kroky 1 a 2, dokiaľ neuložíte všetky požadované stanice. Možno naprogramovať až 30 staníc.

### POUŽÍVANIE RÁDIA DAB

Režim rádia DAB prijíma digitálne rádio DAB/DAB+ a zobrazuje informácie o stanici a naprogramovanej stope pri vysielaní. Stlačte tlačidlo **⏻/FUNC.** tlačidlo, kým sa na displeji nezobrazí **"Welcome to DAB"**.

### SYSTEM

Nastavenie systému umožňuje vybrať jazyk zobrazenia, obnoviť nastavenie z výroby a zobraziť verziu softvéru.

### JAZYK

Ak chcete vybrať iný jazyk pre zobrazenie oznámenia na displeji, stlačením a podržaním tlačidla **■/MENU/INFO** prejdite do ponuky možností, zvolte možnosť **"Systém"** a potvrdíte stlačením tlačidla **▶▶/SELECT/SCAN/PAIR**. Zvoľte **"Jazyk"** a potom pomocou tlačidiel **▶▶/TUN+** alebo **◀◀/TUN-** zvolíte požadovaný jazyk, ktorý sa má zobrazovať. Potvrdíte stlačením tlačidla **▶▶/SELECT/SCAN/PAIR**.

### OBNOVENIE NASTAVENIA Z VÝROBY

Použitím obnovenia nastavenia z výroby môžete vymazať všetky používateľské nastavenia, vrátane zoznamu staníc DAB a prednastavených staníc, a nahradiť ich pôvodnými východiskovými hodnotami. Stlačením a podržaním tlačidla **■/MENU/INFO** prepnete do ponuky možností, zvolte možnosť **"Systém"** a potvrdíte stlačením tlačidla **▶▶/SELECT/SCAN/PAIR**. Zvoľte **"Výrobné nastavenie"** a potom pomocou tlačidla **▶▶/TUN+** alebo **◀◀/TUN-** vyberte možnosť **Áno** alebo **Nie**. Potvrdíte stlačením tlačidla **▶▶/SELECT/SCAN/PAIR**.

## VERZIA SOFTWARU

Tu sa zobrazuje aktuálna verzia softvéru. Stlačením a podržaním tlačidla **■ /MENU/INFO** prepnete do ponuky možností, zvolíte možnosť **“System”** a potvrdíte stlačením tlačidla **▶▶/SELECT/SCAN/PAIR**. Zvoľte **“Verzia softvéru”** a potom stlačením tlačidla **▶▶/SELECT/SCAN/PAIR** zobrazíte aktuálnu verziu softvéru.

## VYHLÁDÁVANIE STANÍC

1. Ak chcete vykonať úplné vyhľadanie, stlačením a podržaním tlačidla **■ /MENU/INFO** prepnete do ponuky možností, zvolíte možnosť **“Úplné vyhľadanie”** a stlačením tlačidla **▶▶/SELECT/SCAN/PAIR** na prístroji výber potvrdíte. Po dokončení úplného vyhľadania sa rádio vráti k prehrávaniu skôr vybranej stanice alebo prvej stanici v zozname.
2. Ak chcete vyberať v zozname vyhľadaných staníc, pomocou tlačidiel **▶▶/TUN+** alebo **◀◀/TUN-** môžete prechádzať zoznamom staníc a tlačidlom **▶▶/SELECT/SCAN/PAIR** voľbu potvrdiť. Zobrazí sa obrazovka se **“Teraz hrá”** s údajmi o novej stanici.
3. Ak chcete odstrániť stanice, ktoré sú v zozname, ale nefungujú, stlačením a podržaním tlačidla **■ /MENU/INFO** prejdete do ponuky možností, vyberte možnosť **“Premazať”** a potvrdíte stlačením tlačidla **▶▶/SELECT/SCAN/PAIR**. Pomocou tlačidiel **▶▶/TUN+** alebo **◀◀/TUN-** vyberte možnosť **ÁNO** alebo **NIE** a potvrdíte stlačením tlačidla **▶▶/SELECT/SCAN/PAIR**. Odstránia sa všetky neplatné stanice, ktoré sú v zozname označené symbolom **“?”** pred názvom stanice.

## PREDVOLENÉ STANICE

Ak chcete uložiť stanicu do pamäti, naladíte stanicu, ktorú chcete uložiť ako predvoľbu, a stlačte tlačidlo **PROG./M/P-MODE** na prístroji, kým sa na displeji nezobrazí **“Predv. uložiť”**. Tlačidlami **▶▶/TUN+** alebo **◀◀/TUN-** vyberte pozíciu pre pamäť predvoľby (napríklad **“Predvoľba 1”**) a potvrdíte stlačením tlačidla **▶▶/SELECT/SCAN/PAIR**. Opakovaním tohto postupu môžete do predvoľieb uložiť až 30 staníc.

## MANUÁLNE LADENIE

Pri manuálnom ladení prepnete do ponuky možností stisnutím a podržaním tlačidla **■ /MENU/INFO**. Zvoľte možnosť **“Ručné ladenie”** a potvrdíte stisnutím tlačidla **▶▶/SELECT/SCAN/PAIR**. Pomocou tlačidiel **▶▶/TUN+** alebo **◀◀/TUN-** naladíte požadované stanice.

## INFORMÁCIE O PRÁVE PREHRÁVANEJ STANICI

Počas prehrávania stanice sa na obrazovke zobrazuje jej názov a informácie DLS vysielané stanicou, napríklad názov programu, názov stopy a ďalšie údaje. Ak chcete zobrazit ďalšie informácie, stlačte tlačidlo **■ /MENU/INFO**. Po každom stlačení sa zobrazí ďalšia sada informácií, a to v postupnosti: text DLS, informácie DL Plus (zobrazí sa, len ak ju príslušná stanica vysiela), intenzita signálu, typ programu, názov multiplexu, číslo / frekvencia kanála, chybovosť signálu a bitová rýchlosť.

## KOMPRESIA DYNAMICKÉHO ROZSAHU (DRC)

Táto funkcia pomáha znížiť rozdiel medzi najhlasnejším a najtichším vysielaným zvukom. Vďaka tomu sú tichšie zvuky relatívne hlasnejšie a hlasné zvuky relatívne tichšie. V tomto nastavení sú k dispozícii dve možnosti, a to **DRC** a **Vyp.** Ak chcete zmeniť nastavenie DRC, stlačte a podržte tlačidlo **■ /MENU/INFO**, čím prepnete do ponuky možností, zvolíte možnosť **“DRC”** a potom tlačidlom **▶▶/SELECT/SCAN/PAIR** vyberte požadovanú možnosť.



# POUŽÍVANIE KAZETOVÉHO MAGNETOFÓNU

## POPIS TLAČIDIEL

**PLAY** - Stisnutím môžete prehrávať kazety.

**REW** - V režime zastavenia môžete stlačením tohto tlačidla posunúť kazetu späť na jej začiatok.

**F.FWD** - V režime zastavenia môžete stlačením tohto tlačidla posunúť kazetu vpred na jej koniec.

**STOP/EJ.** - Stlačením zastavíte aktuálny režim prevádzky kazetového magnetofónu alebo otvoríte dverka priestoru pre kazetu, ak nie je aktívne žiadne tlačidlo.

**PAUSE** - Stlačením prerušíte prehrávanie alebo nahrávanie kazety. Ďalším stlačením prehrávanie alebo nahrávanie obnovíte.

## PREHRÁVANIE KAZETY

1. Stlačením tlačidla **⏮/FUNC.** zvolte režim **TAPE**.
2. Stlačením tlačidla **STOP/EJ.** otvorte dverka priestoru pre kazetu.
3. Do priestoru pre kazetu vložte kazetu otvorenou stranou smerom nahor a namotanou cievkou vpravo.
4. Správne zatvorte dverka.
5. Pomocou tlačidiel **REW** alebo **F.FWD** previňte kazetu do požadovaného bodu.
6. Stlačením tlačidla **PLAY** spustíte prehrávanie kazety.
7. Nastavte hlasitosť na požadovanú úroveň

## FUNKCIA AUTOMATICKÉHO ZASTAVENIA

Ak dosiahne páska pri prehrávaní alebo nahrávaní konca kazety, kazetový magnetofón sa automaticky vypne a vráti všetky tlačidlá do polohy vypnuté.

## NAHRÁVANIE Z RÁDIA

1. Do priestoru pre kazetu vložte čistú pásku a zatvorte dverka.
2. Stlačením tlačidla **⏮/FUNC.** zvolte režim **FM** alebo **DAB**.
3. Naladte požadovanú stanicu pomocou tlačidiel **⏪** alebo **⏩**.
4. Tlačidlom **RECORD** spustíte nahrávanie. Tlačidlá **RECORD** a **PLAY** sa zároveň stlačí.
5. Nahrávanie ukončíte stlačením tlačidla **STOP/EJ.**
6. Ak si chcete vypočuť, čo ste nahrali, viď pokyny v časti **PREHRÁVANIE KAZETY**.

*POZNÁMKA: CHVÍLKOVÁ PAUZA – Použitím tlačidla **PAUSE** kazetového magnetofónu namiesto tlačidla **STOP/EJ.** môžete nahrávanie pozastaviť. Nahrávka bude oveľa čistejšia. Nahrávanie obnovíte opätovným stlačením tlačidla **PAUSE**.*

## NAHRÁVANIE Z CD/USB

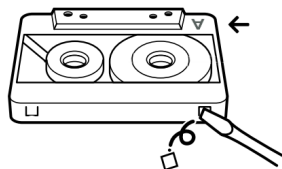
1. Do priestoru pre kazetu vložte nenahranú kazetu.
2. Tlačidlom **⏮/FUNC.** zvolte režim **CD** alebo **USB**.
3. Vložte CD alebo pripojte USB a zvolte požadovaný stopu, ktorú chcete nahráť.
4. Stlačením tlačidla **CD** **▶||/SELECT/SCAN/PAIR** spustíte prehrávanie. Tlačidlom **RECORD** spustíte nahrávanie. Tlačidlá **RECORD** a **PLAY** sa zároveň stlačí.
5. Stlačením tlačidla **PAUSE** môžete nahrávanie prerušiť alebo editovať. Nahrávanie obnovíte opätovným stlačením tohto tlačidla.
6. Nahrávanie ukončíte stlačením tlačidla **STOP/EJ.**
7. Ak si chcete vypočuť, čo ste nahrali, viď pokyny v časti **PREHRÁVANIE KAZETY**.

## TYPY KAZIET

K vytváraniu nahrávok používajte iba kvalitné kazety (IEC TYP 1). Možno použiť aj iné typy kaziet, ale na tieto viac špecializované kazety nie je možné zaobstarať kvalitnú nahrávku. U tohto prístroja NEODPORÚČAME použitie kaziet C120.

## OCHRANA NAHRÁVKY

Za normálnych okolností sa pri robení novej nahrávky vymaže všetko, čo bolo na pásku nahrané predtým. Je však možné nahrávku ochrániť pred náhodným premazaním tým, že odstránite jazýčky na zadnej hrane kazety.



JAZÝČEK PRE STRANU "A"

Ak kazetu držíte nahratú stranou nahor a odkrytou páskou smerom dopredu, bude sa ochranný jazýček nachádzať na ľavej zadnej strane kazety.

Týmto spôsobom sú chránené všetky vopred nahrané kazety, aby nedošlo k náhodnému premazaniu komerčnej nahrávky. „Chránená“ kazeta bráni stlačeniu tlačidla pre nahrávanie. Ak sa pokúsíte o nahrávanie a zistíte, že toto tlačidlo sa nedá stlačiť, nikdy sa nepokúšajte mechanizmus prekonať silou, inak spôsobíte jeho poškodenie. Skontrolujte, či je kazeta správne vložená a či nebol odstránený ochranný jazýček. Nahrávanie na kazetu s odstránenými jazýčkami je možné tak, že otvory po jazýčkoch zalepíte kúskom lepiacej pásky.

## STAROSTLIVOSŤ O KAZETOVÝ MECHANIZMUS

Hlavu magnetofónu a sústavu hnacieho hrotu a prítláčného valčeka čistite po každých 10 hodinách používania prístroja. K dispozícii je široký sortiment produktov pre starostlivosť o kazetové magnetofóny.



1. Prítláčny valček
2. Hnací hrot
3. Prehrávacia/nahrávaciahlava
4. Mazacia hlava

Mazacia hlava a nahrávacia / prehrávacia hlava a povrch prítláčného valčeka sú chýlostivé a nesmiete sa ich dotýkať kovovými predmetmi, napríklad skrutkovačom. Čistenie bude jednoduchšie, ak najprv stlačíte tlačidlo **PLAY**, čím sa hlava a hnací valček vysunú tak, že na nich pôjde dobre vidieť. Po vyčistení mechanizmu sa uistite, že ste stlačili tlačidlo **STOP/EJ..** Pokiaľ prístroj ponecháte sa stlačeným tlačidlom **PLAY** po vypnutí, môže dôjsť k poškodeniu hnacieho hrotu. V žiadnom prípade sa nepokúšajte akúkoľvek časť prístroja premazávať.

## POUŽÍVANIE CD/MP3

### DISKY PRE PREHRÁVANIE

Tento prístroj je schopný prehrávať všetky digitálne zvukové CD, MP3, finalizované digitálne zapisovateľné audio disky (CD-R), finalizované digitálne prepisovateľné audio disky (CD-RW) a digitálne audio disky CD, CD-R a CD-RW formátované ako CD-DA.

### VLOŽENIE DISKU

1. Stlačením tlačidla **⏪/FUNC.** zvolíte režim **CD**.
2. Otvorte priestor pre CD. Na displeji sa zobrazí **"OPEN"** (Otvorené).
3. Vložte na tanier CD potlačenou stranou smerom nahor.
4. Zatvorte tanier CD. Po načítaní disku sa na displeji zobrazí celkový počet skladieb.
5. Ak chcete CD vybrať, stlačte tlačidlo **■/MENU/INFO** a otvorte tanier CD. Uchopte CD za okraje a opatrne ho vyberte.

*Poznámka:*

*Ak chcete zabezpečiť dobrý výkon systému, počkajte pred ďalšími úkonmi, až prístroj kompletne načíta disk.*

Ak nie je vložený žiadny disk alebo nie je možné ho načítať, na displeji sa zobrazí "NO DISC".

## PREHRÁVANIE DISKU

1. Po vložení disku prístroj automaticky spustí prehrávanie.
2. Ak chcete prehrávanie prerušiť, stlačte tlačidlo **▶▶/SELECT/SCAN/PAIR**. Na displeji začne blikať indikátor aktuálnej doby prehrávania. Prehrávanie obnovíte opätovným stlačením tlačidla **▶▶/SELECT/SCAN/PAIR**.
3. Ak chcete prehrávanie zastaviť, stlačte tlačidlo **■/MENU/INFO**. Na displeji sa zobrazí celkový počet stôp.

## VOĽBA POŽADOVANEJ STOPY/PASÁŽE

### Voľba požadovanej stopy

- Stlačte opakovane tlačidlo **▶▶/TUN+** alebo **◀◀/TUN-** v režime zastavenia alebo počas prehrávania, až kým sa na displeji neobjaví požadovaná stopa.
- Stlačením tlačidla **▶▶/SELECT/SCAN/PAIR** spustíte prehrávanie.

### Vyhľadanie určitej pasáže počas prehrávania (prehľadávanie stopy vysokou rýchlosťou)

Stlačením a podržaním tlačidla **▶▶/TUN+** alebo **◀◀/TUN-** môžete aktuálne prehrávanú stopu prehľadávať vysokou rýchlosťou, kým nenarazíte na požadovanú pasáž. Potom tlačidlo pustíte. Prehrávanie sa spustí znovu od tohto bodu.

### Voľba skladby, ktorej číslo stopy je vyššie ako 10 (len pre disky MP3)

Ak chcete vybrať skladbu / stopu, ktorej číslo je vyššie ako 10, pri každom stlačení tlačidla **10/FOLD./MEM.+** alebo **10/FOLD./MEM.-** preskočíte o 10 stôp smerom vpred alebo vzad. Potom pomocou tlačidiel **▶▶/TUN+** alebo **◀◀/TUN-** zvolíte požadovanú stopu. Príklad: Ak chcete vybrať 17. stopu a nachádzate sa v stope číslo 1, stlačte tlačidlo **10/FOLD./MEM.+** a bezprostredne potom stlačte šesťkrát tlačidlo **▶▶/TUN+**.

### Voľba požadovanej zložky (len u diskov MP3)

(ak disk MP3 obsahuje viac ako jednu zložku)

Ak chcete počas prehrávania preskočiť na požadovaný priečinok, stlačte a podržte tlačidlo **10/FOLD./MEM.+** alebo **10/FOLD./MEM.-** po dobu 2 sekúnd, čím sa dostanete do ďalšej alebo predchádzajúcej zložky.

## PROGRAMOVANIE STÔP

Programovanie skladieb na disku je možné, ak je zastavené prehrávanie. Do pamäte je možné uložiť až 20 stôp na CD alebo 99 stôp na disku MP3, a to v ľubovoľnom poradí.

1. V režime zastavenia stlačte tlačidlo **PROG./M/P-MODE**. Na displeji bude blikať "T-000" a zapne sa indikátor "P01".
2. Pomocou tlačidla CD **▶▶/TUN+** alebo **◀◀/TUN-** zvolíte prvú požadovanú stopu, ktorá sa má naprogramovať.
3. Potvrďte stlačením tlačidla **PROG./M/P-MODE**. Na displeji sa zobrazí "P02".
4. Opakovaním krokov 2 a 3 ukladajte ďalšie stopy, kým nenaprogramujete všetky požadované stopy.
5. Stlačením tlačidla **▶▶/SELECT/SCAN/PAIR** spustíte prehrávanie od prvej naprogramovanej skladby.
6. Naprogramované prehrávanie zastavíte stlačením tlačidla **■/MENU/INFO**.

### Ak chcete pamäť (program) vymazať

Pre vymazanie programu sú k dispozícii dve možnosti:

1. Stlačte tlačidlo **■/MENU/INFO** keď je disk zastavený.
2. Otvorte tanier priestoru pre CD, čím sa program vymaže.

*NOTE: Ak sa v pamäťovej jednotke USB alebo na disku MP3 nachádza viac zložiek, je potrebné najprv naprogramovať zložku a až potom stopy. Stlačením tlačidla **10/FOLD./MEM.+** alebo **10/FOLD./MEM.-** zvolíte prvú zložku, ktorú chcete programovať. Potom tlačidlami **▶▶/TUN+** alebo **◀◀/TUN-** zvolíte prvú požadovanú stopu, ktorú chcete naprogramovať a potvrdíte stlačením tlačidla **PROG./M/P-MODE**. Zobrazenie na displeji sa zmení na "P02".*

## OPAKOVANIE

### Opakovanie jednej stopy

1. Stlačte raz tlačidlo **PROG./M/P-MODE** v režime prehrávania. Na displeji bude blikať "**REP-1**". Aktuálna stopa sa bude opakovane prehrávať, kým nestlačíte **■/MENU/INFO**.
2. Ak chcete funkciu opakovania zrušiť, tlačte tlačidlo **PROG./M/P-MODE**, dokiaľ indikátor "**REP-1**" nezmizne z LCD displeja.

### Opakovanie všetkých stôp

1. Opakovane stláčajte **PROG./M/P-MODE** v režime prehrávania, dokiaľ sa na displeji nezobrazí neprerušovane "**REP-ALL**". Budú sa opakovane prehrávať všetky stopy, dokiaľ nestlačíte tlačidlo **■/MENU/INFO**.
2. Ak chcete funkciu opakovania zrušiť, tlačte tlačidlo **PROG./M/P-MODE**, dokiaľ indikátor "**REP-ALL**" nezmizne z LCD displeja.

### Opakovanie aktuálnej zložky (len u MP3)

1. Opakovane stláčajte **PROG./M/P-MODE** v režime prehrávania, kým sa na displeji nezobrazí neprerušovane "**REP-ALBUM**". Bude sa opakovane prehrávať aktuálny priečinok, kým nestlačíte **■/MENU/INFO**.
2. Ak chcete funkciu opakovania zrušiť, tlačte tlačidlo **PROG./M/P-MODE**, dokiaľ indikátor "**REP-ALBUM**" nezmizne z LCD displeja.

## PREHRÁVANIE V NÁHODNOM PORADÍ

Opakovane stláčajte **PROG./M/P-MODE** dokiaľ nebude na displeji neprerušovane svietiť "**RANDOM**" (Náhodne). Náhodné prehrávanie sa okamžite spustí a bude pokračovať, kým sa neprehrajú všetky stopy. Ak chcete opakované prehrávanie zrušiť, stlačte tlačidlo **PROG./M/P-MODE**.

## PREHRANIE ZAČIATKOV STÔP (INTRO)

Stlačením tlačidla **PROG./M/P-MODE** dokiaľ nebude na displeji neprerušovane svietiť "**INTRO**" (Prehranie začiatkov stôp). Spustí sa prehrávanie začiatkov stôp, pričom sa prehrá vždy 10 sekúnd každej stopy. Ak chcete prehrávanie začiatkov stôp zrušiť, stlačte tlačidlo **PROG./M/P-MODE**, kým z displeja nezmizne "**INTRO**".

## POUŽÍVANIE USB

1. Stlačením tlačidla **Ⓞ/FUNC** zvolíte režim **USB**.
2. Ku VSTUPU USB pripojte zariadenie USB. Displej LCD zobrazí celkový počet stôp uložený na USB. Po načítaní zariadenie USB spustí prístroj automaticky prehrávanie.
3. Prehrávanie zastavíte stlačením tlačidla **■/MENU/INFO**. Displej zobrazí celkový počet stôp a priečinkov na zariadení USB.
4. Ďalej môžete pokračovať opakovaným prehrávaním (opakovanie stopy - opakovanie zložky - opakovanie všetkého - náhodné prehrávanie- prehranie začiatkov stôp), ako je popísané v časti POUŽÍVANIE CD/MP3.

**POZOR:** Aby nedošlo ku škodlivému rušeniu, nepoužívajte na pripojenie zariadenia USB k prístroju predlžovacie káble USB.

## POUŽÍVANIE BLUETOOTH

1. Stlačením tlačidla **⏻/FUNC.** prepnite na funkciu **BLUETOOTH**. Na LCD displeji bude vysokou rýchlosťou blikať “**UNCONNECT**”. Zapnite funkciu Bluetooth na zariadení, vyhľadajte prístroj “**JVC RC-E561B-DAB**” a vykonajte prepojenie. Potom v prípade potreby zadajte heslo 0000. Symbol “**BT MODE CONNECT**” bude pomaly blikať, čo znamená, že pripojenie bolo vykonané. Prehrávanie spustíte stlačením tlačidla **▶||/SELECT/SCAN/PAIR** na prístroji alebo tlačidla pre prehrávanie na pripojenom zariadení.
2. Pokiaľ nedôjde k spojeniu prístroja pomocou funkcie Bluetooth do 2 minút, stlačte a podržte tlačidlo **▶||/SELECT/SCAN/PAIR** na prístroji, čím sa pokus o prepojenie zopakuje.
3. Pomocou tlačidiel **VOL.+/-** nastavte požadovanú úroveň hlasitosti.
4. Pomocou tlačidiel **▶||/TUN+** alebo **◀◀/TUN-** na prístroji zvolte požadovanú stopu.
5. Ak chcete prehrávanie zastaviť, stlačte tlačidlo **▶||/SELECT/SCAN/PAIR**.

*Poznámka: Bluetooth najlepšie funguje do vzdialenosti 10 metrov.*

## POUŽÍVANIE EXTERNÉHO VSTUPU AUX-IN

Prístroj má konektor externého vstupu 3,5 mm, s ktorého pomocou je možné k prístroju pripojiť a zosilniť ďalšie zdroje zvuku.

1. Pripojte do konektoru externého vstupu AUX IN audio kábel (nie je priložený) a druhý koniec zapojte do konektoru zvukového výstupu externého zdroja zvuku. Prístroj sa automaticky prepne do režimu externého zdroja zvuku AUX.
2. Upravte hlasitosť hlavnej jednotky na požadovanú úroveň.
3. Prehrávanie spustíte stlačením tlačidla PLAY externého zariadenia (napr. prehrávača MP3).

## ÚDRŽBA KOMPAKTNÉHO DISKU

Používajte vždy kompaktné disky s označením podľa obrázku.



Poznámky ku kompaktným diskom:

- Pri vyberaní disku z jeho obalu a vkladaní do prehrávača sa nedotýkajte lesklého povrchu disku s nahrávkou.
- Na povrch disku nič nelepte ani nepíšte.
- Disk neohýbajte.

Uskladnenie

- Skladujte disk v jeho obale.
- Nevystavujte disky priamemu slnku ani vysokej teplote, vysokej vlhkosti a prachu.

Čistenie disku

- Ak dôjde k znečisteniu disku, utrite prach, nečistoty a odtlačky prstov mäkkou tkaninou.
- Disk je potrebné čistiť od stredu k okrajom.
- Nikdy nepoužívajte benzén, riedidlá, tekutiny na čistenie dosiek ani antistatické spreje.
- Uistite sa, že dvierka priestoru pre CD sú vždy zatvorené, aby nedošlo k znečisteniu šošovky prachom.
- Nedotýkajte sa šošovky.

## TECHNICKÉ ŠPECIFIKÁCIE

### VŠEOBECNÉ

Napájanie	AC 100-240V ~ 60/50Hz DC 9V UM-1/D x 6 ks
Príkonnosť	14 W
Príkonnosť v pohotovostnom režime	< 0,5 W
Hmotnosť	približne 1,7 kg
Rozmery	približne 285 (Š) x 213 (H) x 140 (V) mm
Prevádzková teplota	+5°C – +35°C

### SEKCIA PRIJÍMAČA

Kmitočtový rozsah FM	87,5 – 108 MHz
Kmitočtový rozsah DAB+	174,928 – 239,200 MHz

### SEKCIA BLUETOOTH

Kmitočtový rozsah BT	2402 – 2480 MHz
EIRP	2,64 dBm

### SEKCIA KOMPAKTNÉHO DISKU

Optický snímač	3 – paprskový laser
Kmitočtová odozva	100 Hz – 16 kHz

### SEKCIA KAZETOVÉHO MAGNETOFÓNU

Nahrávací systém	2 stopy, 2 kanály (stereo)
Systém predpätia	predpätie jednosmerným prúdom
Kmitočtová odozva	125 – 6,3 kHz
Pomalé a rýchle kolísanie	0,35 % WRMS (JIS)

### SEKCIA AUDIO

Výstupný výkon	2 x 1,5 W RMS
----------------	---------------

### PRÍSLUŠENSTVO

Návod na použitie, Sieťový kábel, Diaľkový ovládač

**VÝROBCA SI VYHRADZUJE PRÁVO NA ZMENU TECHNICKEJ ŠPECIFIKÁCIE VÝROBKU.**



**VAROVANIE:** NEVYSTAVUJTE SPOTREBIČ DAŽĎU ALEBO VLHKOSTI, ABY STE PREDIŠLI VZNIKU POŽIARU ALEBO ÚRAZU ELEKTRICKÝM PRÚDOM. PRED OPRAVOU ALEBO VŽDY, KEĎ SPOTREBIČ NEPOUŽÍVATE, VYPNITE HO ZO ZÁSUVKY. V PRÍSTROJI NIESÚ ŽIADNE ČASTI OPRAVITEĽNÉ SPOTREBITEĽOM. VŽDY SA OBRACAJTE NA KVALIFIKOVANÝ AUTORIZOVANÝ SERVIS. SPOTREBIČ JE POD NEBEZPEČNÝM NAPÄTÍM.



NEBEZPEČENSTVO UDUSENIA. PE VRECKO ODKLADAJTE MIMO DOSAHU DETÍ. VRECKO NIE JE NA HRANIE. NEPOUŽÍVAJTE TOTO VREČÚŠKO V KOLÍSKACH, POSTIELKACH, KOČÍKACH ALEBO DETSKÝCH OHRÁDKACH.

### Likvidácia starých elektrických a elektronických zariadení

**(Vzťahuje sa na Európsku úniu a európske krajiny so systémami oddeleného zberu)**



Tento symbol na výrobku alebo obale znamená, že s výrobkom po ukončení jeho životnosti nemôže byť nakladané ako s bežným odpadom z domácnosti. Musí sa odovzdať do príslušnej zberne na recykláciu elektrických a elektronických zariadení. Zaručením správnej likvidácie tohto výrobku pomôžete pri predchádzaní potenciálnych negatívnych dopadov na životné prostredie a na zdravie človeka, ktoré by mohli byť zapríčinené nevhodným zaobchádzaním s odpadmi z tohto výrobku. Recyklovaním materiálov pomôžete zachovať prírodné zdroje. Podrobnejšie informácie o recyklácii tohto výrobku vám na požiadanie poskytne miestny úrad, služba likvidácie komunálneho odpadu alebo predajňa, v ktorej ste si tento výrobok zakúpili.

Týmto ETA a.s. prehlasuje, že typ rádiového zariadenia RC-E561B-DAB je v súlade so smernicou 2014/53/EU. Úplné znenie prehlásenia o zhode EÚ je k dispozícii na tejto internetovej adrese: [www.JVCAUDIO.cz/doc](http://www.JVCAUDIO.cz/doc)

## BEVEZETÉS

- Köszönjük, hogy a mi készülékünket választotta!
- Kérjük olvassa el a használati utasítást figyelmesen, a készülék megfelelő használatára érdekében! Elolvasás után tárolja a kézikönyvet biztonságos helyen a későbbi használatához!

## FIGYELEM

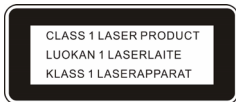
Tűz, vagy áramütés elkerülése érdekében ne tegye ki a készüléket víznek, vagy nedvességnek! Ne nyissa ki a készüléket, minden szervizelést szakember végezzen!

## FIGYELEM

Az itt meghatározottaktól eltérő kezelőszervek, beállítások, vagy eljárások végrehajtása veszélyes sugárzáshoz vezethet!

## VESZÉLY

Láthatatlan lézersugárzás jön létre a készülék nyitásánál, vagy meghibásodásánál. Kerülje el a közvetlen sugárzást!



Ez a CD lejátszó az 1. osztályú LÉZER TERMÉKEK közé tartozik. AZ 1. OSZTÁLYÚ LÉZER TERMÉK címke a hátsó oldalon található.

*MEGJEGYZÉS: A gyártó nem vállal felelősséget az illetéktelen módosítások által okozott rádió- vagy TV-interferenciáért, amelyek érvényteleníthetik a felhasználó jogát a berendezés üzemeltetésére!*

- Kerülje a készülék telepítését az alábbiakban leírt helyekre:
  - Helyek, amelyek közvetlen napfénynek vannak kitéve, vagy hőt sugárzó készülékek, például elektromos fűtőberendezések közelében, a túl sok hőt kibocsátó berendezések tetejére.
  - Nem megfelelő szellőzésű, vagy poros helyek.
  - Állandó rezgésnek kitett helyek.
  - Vizes, vagy nedves helyek.
- A vezérlőket és kapcsolókat a kézikönyv utasításainak megfelelően használja.
- A készülék első bekapcsolása előtt ellenőrizze, hogy a tápkábel csatlakozása megfelelő-e.

**FIGYELEM:** Vegye ki az elemeket, ha lemerültek, vagy ha hosszabb ideig nem használja a készüléket! Az elemek nem megfelelő használata elektrolit szivárgást okozhat, és korrodálhatja az elemtartót, az elem felrobbanhat! Ezért:

- Ne keverje az elemtípusokat, pl. cink-karbonát és lúgos!
- Új elemek behelyezésekor az összes elemet egyszerre cserélje ki!

Ne nyelje le az elemet! A lenyelt elem kémiai égést okozhat! (Távírányítóban lévő elem.) Ez a termék gomb elemet tartalmaz. Ha lenyeli a gombelemet, az 2 órán belül súlyos belső égési sérüléseket okozhat, és halálhoz vezethet!

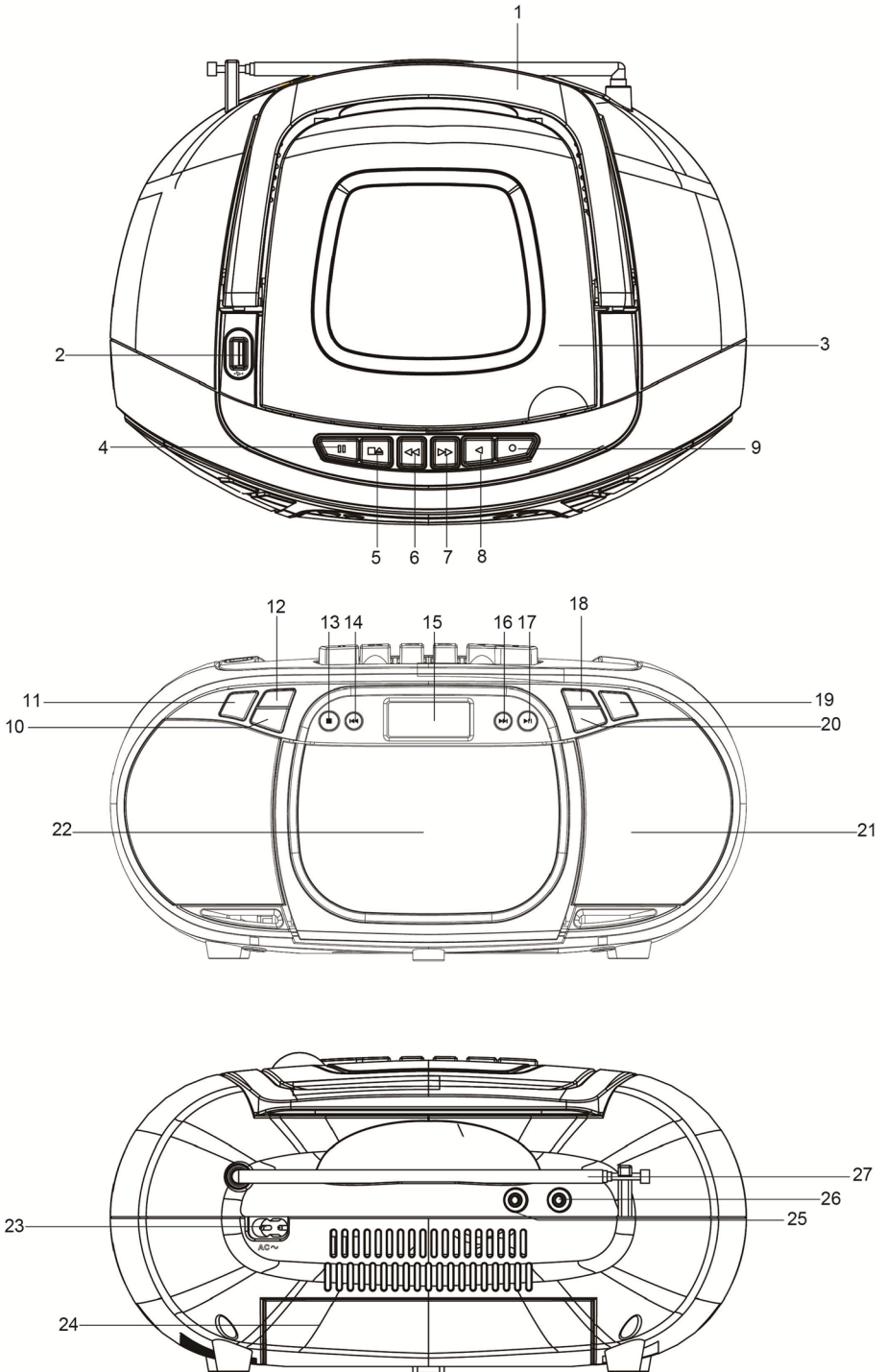
Az új és használt elemeket tartsa gyermekektől távol!

Ha az elemtartó nem záródik biztonságosan, ne használja tovább a terméket, és tartsa azt gyermekektől távol!

Ha úgy gondolja, hogy az elemeket lenyelte, vagy a test bármely részébe került, azonnal forduljon orvoshoz!



# KÉSZÜLÉK LEÍRÁSA



1. FOGANTYÚ
2. USB ALJZAT
3. CD REKESZ
4. KAZETTA SZÜNET
5. KAZETTA STOP/KIADÁS
6. KAZETTA GYORSAN ELŐRE
7. KAZETTA VISSZATEKERÉS
8. KAZETTA LEJÁTSZÁS
9. KAZETTA FELVÉTEL
10. 10/FOLD./MEM.- GOMB
11. PROG./M./P-MODE GOMB
12. 10/FOLD./MEM.+ GOMB
13. ■/MENU/INFO GOMB
14. ◀◀/TUN- GOMB

15. LCD KIJELZŐ
16. ▶▶/TUN+ GOMB
17. ▶/SELECT/SCAN/PAIR GOMB
18. VOL+ GOMB
19. ⏻/FUNC. GOMB
20. VOL- GOMB
21. HANGSZÓRÓK
22. KAZETTA REKESZ
23. AC ALJZAT
24. ELEMSTARTÓ
25. AUX IN ALJZAT
26. FEJHALLGATÓ KIMENET
27. FM ANTENNA

## TÁPELLÁTÁS

Ez a készülék AC/DC árammal működik.

## AC MŰKÖDÉS

Az AC tápkábel egyik végét dugja be a készüléken lévő AC aljzatba, másik végét a hálózati konnektorba!

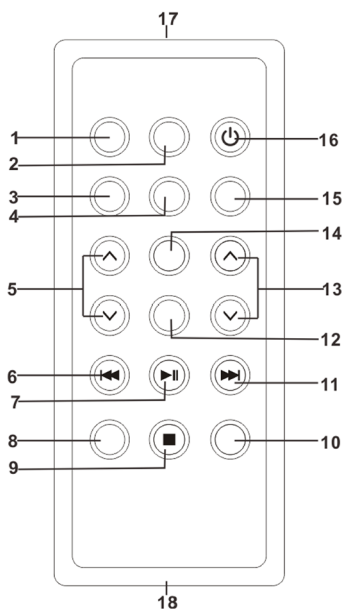
## DC MŰKÖDÉS

Nyissa ki az ELEMSTARTÓ FEDELÉT! Helyezze be a 6 db UM-1/D méretű elemet (nincs a csomagolásban) az elemtartóba! Figyeljen a megfelelő polaritásra!

## FIGYELEM

- Vegye ki az elemeket, ha lemerültek, vagy ha hosszabb ideig nem használja a készüléket!
- Az elemek vegyi anyagokat tartalmaznak, ezért azokat megfelelő módon kell megsemmisíteni.

## TÁVIRÁNYÍTÓ



1. FUNC. GOMB
2. MUTE GOMB
3. MEMORY GOMB
4. SCAN GOMB
5. FOLD/10/M. UP/DOWN GOMB
6. CD B-SKIP ◀◀/TUN- GOMB
7. CD ▶▶/PAIR GOMB
8. INFO GOMB
9. ■/MENU GOMB
10. SELECT GOMB
11. CD F-SKIP ▶▶/TUN+ GOMB
12. ID3 GOMB
13. VOLUME UP/DOWN GOMB
14. P-MODE GOMB
15. MO/ST GOMB
16. ⏻ STANDBY GOMB
17. SZENZOR
18. ELEMSTARTÓ

## TÁVIRÁNYÍTÓ MŰKÖDÉSE

Ha szeretné távirányítóval vezérelni a készüléket, irányítsa a távirányítót a készülék első oldalán lévő szenzorra és használja a megfelelő gombokat a távirányítón.

A távirányító legjobban az elülső paneltől 6-7 méteres távolságban és 30 fokos szögben működik. A ragyogó napfény, vagy a szoba fényviszonyai zavarhatják a távirányító működését. Ha a távirányító működése nem megfelelő, vagy teljesen leáll, először próbálja meg kicserélni az elemeket, utána próbálja csökkenteni a helyiség megvilágítási viszonyait.

## LÍTIUM ELEM TELEPÍTÉSE A TÁVIRÁNYÍTÓBA

A távirányító 1 db CR2025(3V) típusú elemmel működik.

Az elem cseréjéhez finoman nyomja a zárat a megfelelő irányba az utasításoknak megfelelően, majd húzza ki az elemtartót. Vegye ki a lemerült elemet, és helyezzen be egy új lítium elemet (CR-2025) a rekeszbe megfelelő polaritással. Majd tolja vissza a rekeszt a helyére egy „kattanás” hanggal, amely a telepítés befejezését jelzi.

## ALAP MŰKÖDÉS

### KÉSZÜLÉK BEKAPCSOLÁSA

A tápellátás csatlakozása után nyomja meg a **⏻/FUNC.** gombot a készülék bekapcsolásához, utána nyomja meg a **⏻/FUNC.** gombot újra az **FM / TAPE / CD / USB / BT / DAB** gombot újra az. **MEGJEGYZÉS: CD / USB / AUX** módban, ha a készülék több, mint 15 percen keresztül nem működik, automatikusan belép készenléti módba. Kazetta módban, ha 15 percen keresztül áll a lejátszás, a készülék automatikusan belép készenléti módba. Ha szeretné a készüléket újra bekapcsolni, nyomja meg a u **⏻/FUNC.** gombot.

***ESD tippek** – Lehetséges, hogy a termék működése megáll az elektrosztatikus kisülés miatt. Ebben az esetben csak kapcsolja ki és csatlakoztassa újra.*

### HANGERŐ BEÁLLÍTÁSA

Nyomja meg a **VOL.+/-** gombokat a hangerő beállításához.

### FÜLHALLGATÓ ALJZAT

Ha szeretné privátban hallgatni a zenét, csatlakoztassa a 3.5mm-es fülhallgatót (nincs a csomagolásban) a FÜLHALLGATÓ aljzatba. A HANGSZÓRÓ automatikusan kikapcsol.

***FIGYELEM: HOSSZÚ TÁVÚ ZENE HALLGATÁS MAGAS HANGERŐVEL HALLÁSKÁROSODÁST OKOZHAT!***

## FM RÁDIÓ MŰKÖDÉS

### RÁDIÓ CSATORNÁK HANGOLÁSA

1. Nyomja meg a **⏻/FUNC.** gombot a rádió mód kiválasztásához: **FM** mód.
2. **▶▶/TUN+**, vagy **◀◀/TUN-** gombokkal keresse meg a kívánt csatornát, a csatorna frekvenciája jelenik meg a kijelzőn.
3. **VOL.+/-** gombokkal állítsa be a hangerőt kellemes szintre.
4. Az FM jel legjobb vétele érdekében húzza ki a teleszkópos antennát annak maximális hosszára. Sztereó jel vétele esetén **“ST”**. Felirat jelenik meg a kijelzőn.

### RÁDIÓ AUTO SZKENNELÉS (KERESÉS)

Nyomja meg és tartsa megnyomva a **▶▶/SELECT/SCAN/PAIR** gombot, majd az erős rádió jel automatikus keresése elkezdődik. Keresés befejezése után a P01 pozícióban lévő csatorna lejátszása elkezdődik, utána nyomja meg a **10/FOLD./MEM+**, vagy **10/FOLD./MEM-** gombot a kívánt csatorna kiválasztásához.

## RÁDIÓ CSATORNÁK MEMÓRIÁJA

Akár 30 (FM) rádió csatornát lehet a memóriába menteni.

- ▶▶/TUN+, vagy ◀◀/TUN- gombbal válassza ki a kívánt csatornát. Utána nyomja meg és tartsa a **PROG./M/P-MODE** gombot, **“PRESET STORE”** felirat jelenik meg a kijelzőn.
- ▶▶/TUN+, vagy ◀◀/TUN- gombbal válassza ki a kívánt memória helyet, utána nyomja meg a ▶▶/SELECT/SCAN/PAIR gombot a megerősítéshez.
- Következő csatorna mentéséhez ismétlje meg az 1 & 2 lépéseket, amíg le nem mentette az összes csatornát. Akár 30 csatornát is le lehet menteni.

## DAB RÁDIÓ MŰKÖDÉSE

DAB rádió módban a készülék képes DAB/DAB+ digitális rádió jelet fogadni és a csatornáról/zeneszámról való információkat megjeleníteni. Nyomja meg a ◻/FUNC. gombot amíg a kijelzőn meg nem jelenik a **“Welcome to DAB”** felirat.

## RENDSZER

A rendszer beállításai lehetővé teszik a nyelv kiválasztását, alapértelmezett beállításba való visszaállítást és szoftver verzió megjelenését.

## NYELV

Kívánt nyelv kiválasztása lehetséges. Nyomja meg és tartsa megnyomva a ◼/MENU/INFO gombot a menübe való belépéshez, válassza ki a **“Rendszer”** opciót és nyomja meg a ▶▶/SELECT/SCAN/PAIR gombot a belépéshez. Válassza ki a **“Nyelv”** opciót, utána ▶▶/TUN+, vagy ◀◀/TUN- gombbal válassza ki a kívánt nyelvet. Utána nyomja meg a ▶▶/SELECT/SCAN/PAIR gombot a megerősítéshez.

## ALAPÉRTELMEZETT BEÁLLÍTÁS

A gyári beállítások visszaállítása segíthet az összes felhasználó által megadott beállítás törlésében, helyettesítve azokat az eredeti alapértelmezett értékekkel, beleértve a DAB csatornalistát és az előre beállított csatornákat. Nyomja meg és tartsa megnyomva a ◼/MENU/INFO gombot a menübe való belépéshez, válassza ki a **“Rendszer”** opciót és nyomja meg a ▶▶/SELECT/SCAN/PAIR gombot a belépéshez. Válassza ki a **“Gyári beállítás”** opciót, ▶▶/TUN+, vagy ◀◀/TUN- gombbal **IGEN**, vagy **NEM** opciót, utána nyomja meg a ▶▶/SELECT/SCAN/PAIR gombot a megerősítéshez.

## SZOFTVER VERZIÓ

Aktuális szoftver verzió megjelenítése. Nyomja meg és tartsa megnyomva a ◼/MENU/INFO gombot a menübe való belépéshez, válassza ki a **“Rendszer”** opciót és nyomja meg a ▶▶/SELECT/SCAN/PAIR gombot a belépéshez. Válassza ki a **“Szoftver verzió”** opciót, utána nyomja meg a ▶▶/SELECT/SCAN/PAIR gombot az aktuális szoftver verzió megjelenítéséhez.

## CSATORNÁK KERESÉSE

- Teljes kereséshez nyomja meg és tartsa megnyomva a ◼/MENU/INFO gombot a menübe való belépéshez, válassza ki a **“Teljes keresés”** opciót és nyomja meg a készüléken lévő ▶▶/SELECT/SCAN/PAIR gombot a megerősítéshez. Teljes keresés befejezése után a rádió visszalép az előző csatornához, vagy a listából az első csatornához.
- A listából való kiválasztáshoz nyomja meg a ▶▶/TUN+, vagy ◀◀/TUN- gombot, válassza ki a kívánt csatornát és nyomja meg a ▶▶/SELECT/SCAN/PAIR gombot a megerősítéshez. A kijelzőn a kiválasztott csatorna adatai jelennek meg.

3. Nem elérhető csatornák eltávolításához nyomja meg és tartsa megnyomva a **■/MENU/INFO** gombot a menübe való belépéshez, válassza ki a **“Szelektálni”** opciót és nyomja meg a **▶▶/SELECT/SCAN/PAIR** gombot a belépéshez. Utána **▶▶/TUN+**, vagy **◀◀/TUN-** gombokkal válassza ki a **Igen**, vagy **Nem** opciót és nyomja meg a **▶▶/SELECT/SCAN/PAIR** gombot a megerősítéshez. Ezzel minden nem elérhető csatornát, amely **“?”** jellel van megjelölve eltávolít.

## CSATORNA MEMÓRIA

Ha szeretné a csatornát a memóriába menteni, keresse meg a kívánt csatornát, utána nyomja meg a készüléken lévő **PROG./M/P-MODE** gombot amíg a kijelzőn meg nem jelenik a **“Mentés”** felirat. **▶▶/TUN+**, vagy **◀◀/TUN-** gombbal válassza ki a kívánt memória helyet (pl. **“Memóriahely 1”**), utána nyomja meg a **▶▶/SELECT/SCAN/PAIR** gombot a megerősítéshez. Ismétlje meg a lépéseket, akár 30 csatorna menthető a memóriába.

## MANUÁLIS HANGOLÁS

Ha szeretné a csatornát manuálisan hangolni, nyomja meg és tartsa megnyomva a **■/MENU/INFO** gombot a menübe való belépéshez. Válassza ki a **“Kézi hangolás”** opciót és nyomja meg a **▶▶/SELECT/SCAN/PAIR** gombot a megerősítéshez. **▶▶/TUN+**, vagy **◀◀/TUN-** gombbal keresse meg a kívánt csatornát.

## „NOW PLAYING” INFORMÁCIÓK

Csatorna lejátszása közben a kijelzőn megjelenik a csatorna neve és DLS (Dynamic Label Segment) információk, mint pl. műsor neve, zeneszám címe, stb. További információk megjelenéséhez nyomja meg a **■/MENU/INFO** gombot, az információk következő sorrendben jelennek meg: DLS szöveg, DL Plus információ (csak csatorna lejátszása esetén), jel erőssége, program típus, együttes neve, csatorna száma / frekvenciája, jelhiba és bitráta.

## DRC – DINAMIKUS TARTOMÁNYTÖMÖRÍTÉS

Ez a funkció segít csökkenteni a különbséget a lehangosabb és a legcsendesebb hang között. Halk hangokat viszonylag erősebbé teszi, és a hangos hangokat viszonylag halkabbá teszi. 2 beállítási lehetőség érhető el: **DRC/ki**. DRC beállítás változtatásához nyomja meg és tartsa megnyomva a **■/MENU/INFO** gombot a menübe való belépéshez, válassza ki a **“DRC”** opciót és utána **▶▶/SELECT/SCAN/PAIR** gombbal válassza ki a kívánt beállítást.

## KAZETTA MŰKÖDÉS

### GOMBOK LEÍRÁSA

**PLAY** - kazetta lejátszása.

**REW** - stop módban, gyors visszatekerés.

**F.FWD** - stop módban, gyors előre tekerés.

**STOP/EJ.** - Lejátszás megállítása, vagy kazetta rekesz nyitása, ha semmilyen más gomb nincs lenyomva.

**PAUSE** - Lejátszás, vagy felvétel átmeneti megállítása. Második megnyomással folytassa a lejátszást, vagy felvételt.

## KAZETTA LEJÁTSZÁSA

1. Nyomja meg a **⏪/FUNC.** gombot a **TAPE** mód kiválasztásához!
2. **STOP/EJ.** gomb megnyomásával nyissa ki a kazetta rekeszt!
3. Helyezze be a kazettát szalaggal felfelé!
4. Óvatosan csukja be a rekesz ajtót!
5. **REW**, vagy **F.FWD** gombbal keresse meg a kívánt indítási pontot!
6. **PLAY** gomb megnyomásával indítsa el a lejátszást!
7. Állítsa be a hangerőt a kívánt szintre!

## AUTOMATIKUS MEGÁLLÍTÁS

Lejátszás, vagy felvétel mód esetén, ha a kazetta eléri a végét, a funkció automatikusan megáll és összes gomb kikapcsolt pozícióban lesz.

## FELVÉTEL RÁDIÓBÓL

1. Helyezze be az üres kazettát a kazetta rekeszbe és csukja be a rekesz ajtaját!
  2. Nyomja meg a **⏪/FUNC.** gombot **FM**, vagy **DAB** mód kiválasztásához.
  3. **◀▶**, vagy **▶▶** gombbal válassza ki a kívánt csatornát!
  4. Nyomja meg a **RECORD** gombot a felvétel elindításához! A **RECORD** és **PLAY** gombok le lesznek nyomva egyszerre.
  5. **STOP/EJ.** gombbal állítsa meg a felvételt!
  6. Ha szeretné a felvételt hallgatni, folytassa a KAZETTA LEJÁTSZÁSA fejezet szerint!
- MEGJEGYZÉS: ÁTMENETI MEGÁLLÍTÁS – Használja a **PAUSE** gombot a **STOP/EJ.** gomb helyett, ha szeretné átmenetileg megállítani a felvételt. A gomb következő megnyomásával folytassa a felvételt!*

## FELVÉTEL CD-RŐL/USB

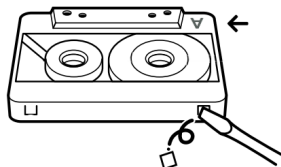
1. Helyezze be az üres kazettát a kazetta rekeszbe és csukja be a rekesz ajtaját!
2. **⏪/FUNC.** gombbal állítsa be a **CD**, vagy **USB** módot!
3. Helyezze be a CD, vagy USB lemezt, és válassza ki a felvenni kívánt zeneszámot.
4. **▶▶/SCAN/PAIR** gombbal indítsa el a lejátszást! **RECORD** gombbal indítsa el a felvételt! A **RECORD** és **PLAY** gombok le lesznek nyomva egyszerre.
5. **PAUSE** gombbal állítsa meg átmenetileg a felvételt, a gomb következő megnyomásával folytassa azt!
6. **STOP/EJ.** gomb megnyomásával állítsa meg a felvételt véglegesen!
7. Ha megszeretné hallgatni a felvételt, folytassa a KAZETTA LEJÁTSZÁSA fejezet szerint!

## KAZETTA TÍPUSAI

A felvételhez csak minőségi (IEC TYPE 1) kazettákat használjon! Más kazetta típusok is használhatók, de ebben az esetben előfordulhat, hogy a felvétel minősége nem a legjobb minőségű lesz. C120 kazetták használata NEM javasolt ezen a készüléken

## FELVÉTEL VÉDELME

Normál esetben új felvétel esetén a régi felvétel ki lesz törölve a kazettáról. Lehetséges a felvételt védeni törlés ellen úgy, hogy a kazetta sarkaiban lévő kiállításokat eltávolítja.



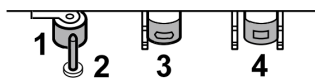
KIÁLLÁS "A" OLDALHOZ

Ha a felvétellel rendelkező kazetta oldalát nézi, ehhez az oldalhoz tartozó védő kiállítás a felső bal sarokban található.

Minden, eredetileg tartalommal rendelkező kazetta védve van véletlen törlés ellen. „Védett” kazetta esetén nem lesz lehetséges felvétel gombot megnyomni. Ha mégis megnyomja a felvétel gombot védett kazetta esetén, soha ne tegye azt túlzott erővel, ellenkező esetben a mechanizmus károsodását okozhatja! Ellenőrizze a védő kiállításokat! Ha szeretne védett kazettára bármilyen tartalmat felvenni, ragaszon a védő kiállítások helyére szalagot az ábra szerint!

### KAZETTA MECHANIZMUS KARBANTARTÁSA

A készülék használatának minden 10. órája után finoman tisztítsa meg a szalagfejet és a csípetető kerék / kötél szerelvényeket! Számos kazetta karbantartó termék kapható.



1. Orsó
2. Forgóhenger
3. Felvétel/lejátszás feje
4. Törlőfej

A fejek és kazetta rekeszben lévő mechanizmusok nagyon finomak és nem érheti azokat semmilyen fémes tárgy, vagy csavarhúzó. Könnyebb tisztítás érdekében nyomja meg a **PLAY** gombot és tisztítsa meg a fejeket miközben forognak. Ne felejtse el a tisztítás után a **STOP/EJ.** gombot megnyomni.

Forgó kerék károsodása fordulhat elő, ha megnyomva hagyja a **PLAY** gombot, miközben a készülék ki van kapcsolva. Semmilyen körülmény között ne kísérelje meg a gép bármely részét olajozni!

## CD/MP3 MŰKÖDÉS

### LEJÁTSZÁSHOZ VALÓ LEMEZ

A rendszer a következő típusú lemezeket képes lejátszani: audió CD, MP3, audió CD-Recordable (CD-R) lemezek, audió CD-Rewritable (CD-RW) lemezek és CD-DA formátumú digitális audió CD/CD-R/CD-RW lemezek.

### LEMEZ OLVASÁSA

1. Nyomja meg a **⏪/FUNC.** gombot a **CD** mód kiválasztásához!
2. Nyissa ki a CD ajtót! **“OPEN”** felirat jelenik meg a kijelzőn.
3. Helyezze a CD lemezt a rekeszbe, nyomtatott oldallal felfelé!
4. Csukja be a CD ajtót! A zeneszámok teljes száma megjelenik a kijelzőn a lemez olvasása után.
5. Ha szeretné a CD lemezt kivenni, nyomja meg a **■/MENU/INFO** gombot és nyissa ki a CD ajtót! Fogja meg a CD lemez oldalait és vegye ki a lemezt óvatosan!

Megjegyzés:

*A rendszer megfelelő működése érdekében a lejátszás előtt várjon, amíg a lemez olvasása be nem fejeződik!*

*Ha nincs lemez a rekeszben, vagy fejjel lefelé lett behelyezve, a kijelzőn **“NO DISC”** felirat jelenik meg.*

### LEMEZ LEJÁTSZÁSA

1. Lemez olvasása után a lejátszás automatikusan elkezdődik.
2. Lejátszás átmeneti megállításához nyomja meg a **⏸/SELECT/SCAN/PAIR** gombot! “Aktuális lejátszási idő” villogni fog a kijelzőn. Lejátszás folytatásához nyomja meg a **⏸/SELECT/SCAN/PAIR** gombot! “Aktuális lejátszási idő” villogni fog a kijelzőn.
3. Lejátszás folytatásához nyomja meg a **■/MENU/INFO** gombot, a zeneszámok teljes száma megjelenik a kijelzőn!

## KÍVÁNT SZÁM/RÉSZ KIVÁLASZTÁSA

### Kívánt zeneszám kiválasztása

- Stop, vagy lejátszás módban nyomja meg a ►►/TUN+, vagy ◀◀/TUN- gombot ismételten, amíg a kívánt zeneszám meg nem jelenik a kijelzőn!
- ►►/SELECT/SCAN/PAIR gombbal indítsa el a lejátszást!

### Kívánt rész keresése lejátszás közben (zeneszám szkennelése magas sebességgel)

Nyomja meg és tartsa megnyomva a ►►/TUN+, vagy ◀◀/TUN- gombot lejátszás közben, amíg a kívánt rész meg nem jelenik, utána engedje el a gombot! A lejátszás a kiválasztott időponttól folytatódik.

### Zeneszám kiválasztása 10 fölött (csak MP3 lemez)

10 fölötti zeneszám kiválasztásához nyomja meg a 10/FOLD./MEM.+ , vagy 10/FOLD./MEM.- gombot 10 számmal előre/hátra való ugráshoz! Utána nyomja meg a ►►/TUN+, vagy ◀◀/TUN- gombot a kívánt szám kiválasztásához! Pl.: 17 számú zene kiválasztásához nyomja meg a 10/FOLD./MEM.+ gombot és utána hétszer a ►►/TUN+ gombot.

### Kívánt mappa kiválasztása (csak MP3 lemez)

(Ha az MP3 lemez több, mint egy mappát tartalmaz.)

Ha szeretne lejátszás közben a kiválasztott mappába ugrani, nyomja meg és tartsa megnyomva a 10/FOLD./MEM.+ , vagy 10/FOLD./MEM.- gombot 2 másodpercre, amivel a következő/előző mappába tud ugrani.

## ZENESZÁMOK PROGRAMOZÁSA

Zeneszámok programozása csak megállított állapotban lehetséges. Akár 20 CD/99 MP3 szám menthető a memóriába bármilyen sorrendben.

1. Stop módban nyomja meg a **PROG./M/P-MODE** gombot, "T-000" felirat villogni fog és "P01" indikátor jelenik meg.
2. Nyomja meg a CD ►►/TUN+, vagy ◀◀/TUN- gombot az első zeneszám kiválasztásához.
3. Nyomja meg a **PROG./M/P-MODE** gombot a megerősítéshez. "P02" jelenik meg a kijelzőn.
4. Ismétlje meg a 2 & 3 lépéseket további zeneszámok mentéséhez.
5. ►►/SELECT/SCAN/PAIR gombbal indítsa el a lejátszást az első mentett zeneszámtól.
6. ■/MENU/INFO gombbal állítsa meg a lejátszást.

### Memória törlése (programozott)

Programozott memória törlése két módon lehetséges:

1. Nyomja meg a ■/MENU/INFO gombot miközben a lejátszás áll!
2. Nyissa ki a CD rekeszt, a programozás ki lesz törölve.

*MEGJEGYZÉS: Ha az USB, vagy MP3 lemezen több mappa található, szükséges először a mappát, utána a zeneszámokat beprogramozni. Nyomja meg a 10/FOLD./MEM.+ , vagy 10/FOLD./MEM.- gombot az első mappa kiválasztásához. Utána ►►/TUN+, vagy ◀◀/TUN- gombbal válassza ki a kívánt zeneszámot, utána nyomja meg a **PROG./M/P-MODE** gombot a megerősítéshez. A kijelzőn "P02" felirat jelenik meg.*

## ISMÉTLÉS

### Egy zeneszám ismétlése

1. Lejátszási módban nyomja meg a **PROG./M/P-MODE** gombot egyszer, "REP-1" felirat jelenik meg a kijelzőn. Aktuális zeneszám ismételt lejátszása elkezdődik és folytatódik, amíg meg nem nyomja a ■/MENU/INFO gombot.
2. Ismételt lejátszás törléséhez nyomja meg a **PROG./M/P-MODE** gombot, amíg "REP-1" ikon el nem tűnik.



## Összes zeneszám ismétlése

1. Lejátszási módban nyomja meg a **PROG./M/P-MODE** gombot amíg a **“REP-ALL”** felirat meg nem jelenik a kijelzőn. A lemezen lévő összes zeneszám ismételt lejátszása elkezdődik és folytatódik, amíg meg nem nyomja a **■/MENU/INFO** gombot.
2. Ismételt lejátszás törléséhez nyomja meg a **PROG./M/P-MODE** gombot, amíg **“REP-ALL”** ikon el nem tűnik.

## Aktuális mappa ismétlése (csak MP3)

1. Lejátszási módban nyomja meg a **PROG./M/P-MODE** gombot amíg a **“REP-ALBUM”** felirat meg nem jelenik a kijelzőn. Az aktuális mappa ismételt lejátszása elkezdődik és folytatódik, amíg meg nem nyomja a **■/MENU/INFO** gombot.
2. Ismételt lejátszás törléséhez nyomja meg a **PROG./M/P-MODE** gombot, amíg **“REP-ALBUM”** ikon nem tűnik el.

## VÉLETLENSZERŰ LEJÁTSZÁS

Lejátszás közben nyomja meg a **PROG./M/P-MODE** gombot amíg az **“RANDOM”** felirat meg nem jelenik a kijelzőn. Összes zeneszám véletlenszerű lejátszása elkezdődik és minden szám lejátszása után a lejátszás automatikusan megáll. Nyomja meg a **PROG./M/P-MODE** gombot a funkció törléséhez.

## INTRO

Lejátszás közben nyomja meg a **PROG./M/P-MODE** gombot amíg az **“INTRO”** felirat meg nem jelenik a kijelzőn. Minden zeneszámból az első 10 másodperc lejátszásra kerül. Nyomja meg a **PROG./M/P-MODE** gombot a funkció törléséhez, majd az **“INTRO”** felirat eltűnik a kijelzőről.

## USB MŰKÖDÉS

1. Nyomja meg a **⏻/FUNC.** gombot az **USB** mód kiválasztásához.
2. Csatlakoztassa az USB lemezt az USB aljzatba. Az LCD kijelzőn megjelenik az USB memóriában lévő zeneszámok és mappák száma. USB olvasása után a lejátszás automatikusan elkezdődik.
3. **■/MENU/INFO** gombbal állítsa meg a lejátszást. Az LCD kijelzőn megjelenik az USB memóriában lévő zeneszámok és mappák száma.
4. Ismételt lejátszás (ismétlés 1- mappa ismétlése – összes ismétlése - véletlenszerű lejátszás - intro) beállítsa ugyanaz mint **CD/MP3 MŰKÖDÉS** esetén

**FIGYELEM:** Ne használjon semmilyen USB hosszabbító kábelt, ellenkező esetben interferenciát okozhat!

## BLUETOOTH MŰKÖDÉS

1. Nyomja meg a **⏻/FUNC.** gombot az **BLUETOOTH** mód kiválasztásához, a **“UNCONNECT”** felirat villogni fog a kijelzőn. Kapcsolja be a bluetooth funkciót a saját eszközön és keresse meg a **“JVC RC-E561B-DAB”** készüléket. Utána csatlakozzon hozzá, adja meg a 0000 jelszót ha szükséges, a **“BT MODE CONNECT”** felirat világítani fog. Nyomja meg a készüléken lévő **▶II/SELECT/SCAN/PAIR** gombot a zene lejátszásához, vagy a saját eszközön indítsa el a lejátszást.
2. Ha nem sikerül 2 percen belül csatlakozni, nyomja meg és tartsa megnyomva a készüléken lévő **▶II/SELECT/SCAN/PAIR** gombot új csatlakozáshoz.
3. **VOL.+/-** gombokkal állítsa be a hangerőt.
4. **▶▶/TUN+**, vagy **◀◀/TUN-** gombbal válassza ki a kívánt zeneszámot.
5. Lejátszás megállításához nyomja meg a **▶II/SELECT/SCAN/PAIR** gombot.

*Megjegyzés: A Bluetooth funkció legjobban 10 méteren belül működik.*

## AUX IN MŰKÖDÉS

A készülék fel van szerelve 3.5mm AUX IN aljzattal, amelyen keresztül lehetséges más audió készülékeket is csatlakoztatni.

1. Csatlakoztassa az audió kábelt (nincs csomagolásban) az AUX IN aljzatba és a másik végét a külső eszközön lévő AUDIO OUT aljzatba. Az AUX mód automatikusan bekapcsol.
2. A VOLUME gombokkal állítsa be a hangerőt.
3. Nyomja meg a külső eszközön lévő PLAY gombot (pl. MP3 lejátszó) a lejátszás indításához.

## CD LEMEZ KARBANTARTÁSA

Mindig használjon az alábbi jellel felszerelt lemezeket!



Lemezek használata

- Lemez behelyezése és olvasása.
- Ne érintse a lemez alsó oldalát!
- Ne ragasszon és ne írjon semmit a lemezre!
- Ne hajlítsa meg a lemezt!

Tárolás

- Tárolja a lemezt a tokjában!
- NE tegye ki a lemezt közvetlen napsugárnak, vagy magas hőmérsékletnek, magas páratartalomnak, vagy poros helyeknek!

Lemez tisztítása

- Ha a lemez nem tiszta, törölje le róla a port, a szennyeződések és az ujjlenyomatok puha ruhával!
- A lemezt a közepétől a széle felé haladva kell tisztítani!
- Soha ne használjon benzolt, hígítót, tisztító folyadékot, vagy antisztatikus sprayt!
- Mindig csukja be a CD ajtót annak érdekében, hogy a lencse ne legyen poros!
- Ne érintse a lencsét!

## SPECIFIKÁCIÓK

### ÁLTALÁNOS

Tápellátás	AC 100-240V ~ 60/50Hz DC 9V UM-1/D x 6
Energiafogyasztás	14 W
Energiafogyasztás készenléti módban	< 0,5 W
Súly	kb. 1,7 kg
Méretek	kb. 285 (Š) x 213 (H) x 140 (V) mm
Működési hőmérséklet	+5°C – +35°C

### RÁDIÓ

FM frekvencia tartomány	87,5 – 108 MHz
DAB+ frekvencia tartomány	174,928 – 239,200 MHz

### BLUETOOTH

BT frekvencia tartomány	2402 – 2480 MHz
EIRP	2,64 dBm

### CD LEMEZ

Optika	3 – lézersugár
Frekvencia válasz	100Hz – 16KH z

### KAZETTA

Felvételi rendszer	2 szám 2 csatorna (sztereó)
Bias rendszer	DC Bias
Frekvencia válasz	125 – 6.3 K H z
Wow és Flutter	0.35% WRMS (JIS)

### AUDIÓ

Kimeneti teljesítmény	2 x 1,5 W RMS
-----------------------	---------------

### TARTOZÉKOK

Használati utasítás, AC tápkábel, Távirányító

**A GYÁRTÓ FENNTARTJA A JOGOT A TECHNIKAI SPECIFIKÁCIÓK VÁLTOZTATÁSÁRA.**



**FIGYELEM:** TŰZ VAGY ÁRAMÜTÉS ELKERÜLÉSE ÉRDEKÉBEN NE TEGYE KI A KÉSZÜLÉKET ESŐ VAGY NEDVESSÉG HATÁSÁNAK. HASZNÁLATON KÍVÜL VAGY JAVÍTÁS ELŐTT MINDIG HÚZZA KI A KÉSZÜLÉKET AZ ELEKTROMOS HÁLÓZATBÓL. A KÉSZÜLÉK NEM TARTALMAZ A FELHASZNÁLÓ ÁLTAL JAVÍTHATÓ ALKATRÉSZEKET. MINDIG FORDULJON SZAKSZERVIZHEZ. A KÉSZÜLÉK VESZÉLYES FESZÜLTÉG ALATT VAN.



FULLADÁSVESZÉLY. TARTSA A PE ZACSKÓT GYERMEKEKTŐL ELZÁRT HELYEN. A ZACSKÓ NEM JÁTÉKSZER. NE HASZNÁLJA EZT A ZACSKÓT BÖLCSŐKBEN, KISÁGYAKBAN, BABAKOCSIKBAN, VAGY GYEREK JÁRÓKÁKBAN.

**Feleslegessé vált elektromos és elektronikus készülékek hulladékként való eltávolítása (Használható az Európai Unió és egyéb európai országok szelektív hulladékgyűjtési rendszereiben)**



Ez a szimbólum a készüléken, vagy annak csomagolásán azt jelzi, hogy a terméket ne kezelje háztartási hulladékként! Kérjük, hogy az elektromos és elektronikai hulladék gyűjtésére kijelölt gyűjtőhelyen adja le! A feleslegessé vált termék helyes kezelésével segít megelőzni a környezet és az emberi egészség károsodását, mely bekövetkezhetne, ha nem követi a hulladékkezelés helyes módját. Az anyagok újrahasznosítása segít a természeti erőforrások megőrzésében. A termék újrahasznosítása érdekében, valamint további információért forduljon a hozzátartozó hivatalhoz, vagy a lakhelyén lévő hulladékokkal foglalkozó szolgáltatóhoz, illetve ahhoz az üzlethez, ahol a terméket megvásárolta!

Ezáltal az ETA a.s. kijelenti, hogy a RC-E561B-DAB típusú rádióberendezések megfelelnek a 2014/53/EU irányelvnek. Az EU-megfelelőségi nyilatkozat teljes szövege a következő internetes címen érhető el: [www.JVCAUDIO.cz/doc](http://www.JVCAUDIO.cz/doc)

## INTRODUCERE

- Vă mulțumim că ați cumpărat produsul nostru.
- Vă rugăm să citiți aceste instrucțiuni de utilizare, astfel încât să știți cum să vă utilizați corect echipamentul. După ce ați terminat de citit manualul de instrucțiuni, puneți-l într-un loc sigur pentru referințe viitoare.

## AVERTIZARE

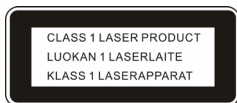
Pentru a preveni pericolul de incendiu sau de electrocutare, nu expuneți acest aparat la ploaie sau umezeală. Pentru a evita electrocutarea, nu deschideți carcasa aparatului; solicitați efectuarea de operațiuni de service numai de către personalul calificat.

## ATENȚIONARE

Utilizarea controalelor sau reglarea sau efectuarea de proceduri, altele decât cele specificate în acest manual, pot conduce la expunerea la radiații periculoase.

## PERICOL

Radiații laser invizibile atunci când carcasa este deschisă sau când mecanismul de interblocare s-a defectat sau a fost forțat. Evitați expunerea directă la fasciculul de raze laser.



Acest player CD este clasificat ca PRODUS LASER de Casa 1. Eticheta CLASS 1 LASER PRODUCT (Produs laser de Clasa 1) se află pe partea din spate.

*NOTĂ: Producătorul nu este responsabil pentru nicio interferență radio sau TV cauzată de modificări neautorizate care ar putea anula autorizația utilizatorului de a utiliza echipamentul*

- Evitați instalarea unității în locațiile descrise mai jos:
  - Locuri expuse la lumina directă a soarelui sau aflate aproape de aparate care radiază căldură, cum ar fi încălzitoarele electrice, deasupra altor echipamente stereo care radiază prea multă căldură.
  - Locuri care blochează ventilația sau locuri cu praf.
  - Locuri supuse vibrațiilor constante.
  - Locuri ude sau umede.
- Acționați prin rotirea controalelor și comutatoarelor conform instrucțiunilor din manual.
- Înainte de a porni alimentarea pentru prima dată, asigurați-vă că ați instalat corect cablul de alimentare.

**AVERTIZARE:** Scoateți bateriile dacă sunt descărcate sau dacă nu vor mai fi utilizate pentru o perioadă lungă de timp. Utilizarea incorectă a bateriilor poate provoca scurgeri de electroliți și va coroda compartimentul sau poate provoca spargerea bateriilor, prin urmare:

- Nu amestecați tipurile de baterii, de exemplu baterii alcaline cu baterii cu carbonat de zinc.
- Când introduceți baterii noi, înlocuiți toate bateriile în același timp.

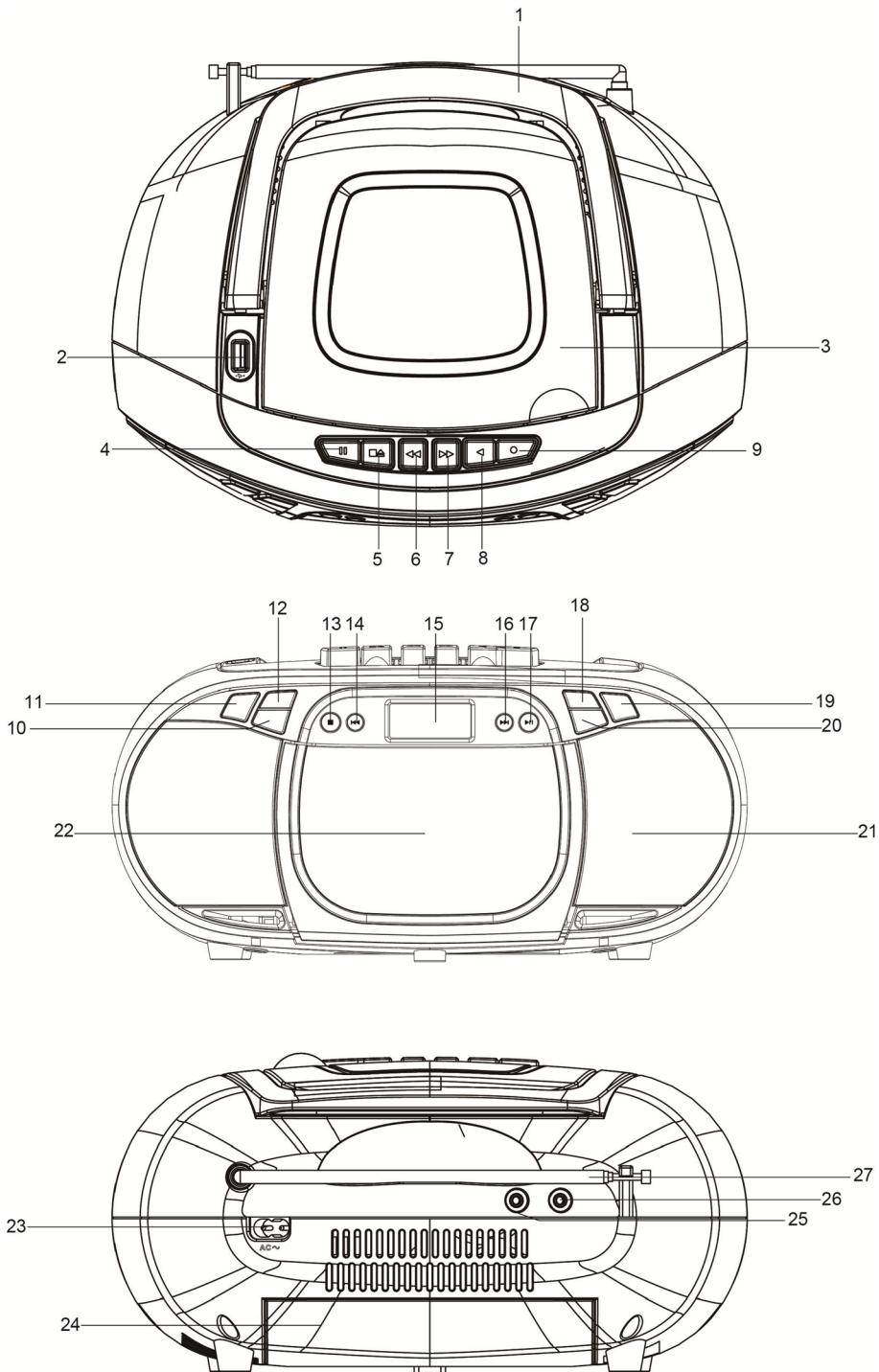
Nu ingerați bateria (furnizată împreună cu telecomanda), pericol de arsură chimică. Acest produs conține o baterie de tip monedă/buton. Dacă bateria de tip monedă/buton este înghițită, poate cauza arsuri interne grave în doar 2 ore și poate cauza decesul.

Păstrați bateriile noi și uzate departe de copii.

Dacă compartimentul pentru baterii nu se închide bine, opriți utilizarea produsului și păstrați-l departe de copii.

Dacă credeți că bateriile ar fi putut fi înghițite sau amplasate în orice parte a corpului, solicitați asistență medicală imediată.

# AMPLASAREA CONTROALELOR



1. MÂNER PLIABIL
2. PORT USB
3. COMPARTIMENT PENTRU CD
4. TASTĂ PUNERE CASETĂ PE PAUZĂ
5. TASTĂ OPRIRE/EJECTARE CASETĂ
6. TASTĂ DERULARE CASETĂ RAPID ÎNAINTE
7. TASTĂ DERULARE CASETĂ ÎNAPOI
8. TASTĂ REDARE CASETĂ
9. TASTĂ ÎNREGISTRARE CASETĂ
10. BUTON 10/FOLD./MEM.-
11. BUTONPROG./M./P-MODE
12. BUTON 10/FOLD./MEM.+
13. BUTON ■ /MENU/INFO
14. BUTON ◀◀/TUN-
15. ECRAN LCD
16. BUTON ▶▶/TUN+
17. BUTON ◻/SELECT/SCAN/PAIR
18. BUTON VOL+
19. BUTON ◻/FUNC.
20. BUTON VOL-
21. DIFUZOARE
22. COMPARTIMENT PENTRU CASETĂ
23. PRIZĂ DE CURENT ALTERNATIV
24. COMPARTIMENT PENTRU BATERII
25. MUFĂ JACK PENTRU INTRARE AUXILIARĂ
26. IEȘIRE CĂȘTI
27. ANTENĂ FM

## SURSA DE ALIMENTARE

Unitatea este proiectată să funcționeze cu curent alternativ sau cu curent continuu.

## FUNCȚIONAREA CU CURENT ALTERNATIV

Conectați capătul mai mic al cablului de alimentare cu curent alternativ la mufa jack de pe unitate și capătul mai mare al cablului de alimentare cu curent alternativ la priza de perete de uz casnic. Unitatea va fi deconectată automat.

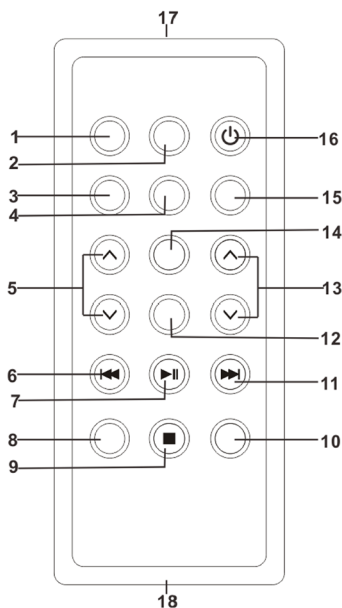
## FUNCȚIONAREA CU CURENT CONTINUU

Deschideți UȘIȚA COMPARTIMENTULUI PENTRU BATERII. Montați 6 baterii de dimensiune UM-1/D (nu sunt incluse) în compartiment. Vă rugăm să respectați polaritățile corecte așa cum este indicat.

## ATENȚIE

- Scoateți bateriile dacă sunt descărcate sau dacă sunt utilizate de mult timp.
- Bateriile conțin substanțe chimice, astfel că trebuie eliminate în corespunzător.

## TELECOMANDĂ



1. TASTĂ FUNC.
2. TASTĂ MUTE
3. TASTĂ MEMORY
4. TASTĂ SCAN
5. TASTĂ FOLD/10/M. UP/DOWN
6. TASTĂ CD B-SKIP ◀◀/TUN-
7. TASTĂ CD ▶▶/PAIR
8. TASTĂ INFO
9. TASTĂ ■ /MENU
10. TASTĂ SELECT
11. TASTĂ CD F-SKIP ▶▶/TUN+
12. TASTĂ ID3
13. TASTĂ VOLUME UP/DOWN
14. TASTĂ P-MODE
15. TASTĂ MO/ST
16. TASTĂ ◻ STANDBY
17. SENZOR DE TELECOMANDĂ
18. COMPARTIMENT PENTRU BATERII

## UTILIZAREA TELECOMENZII

Pentru a opera unitatea cu ajutorul telecomenzii, îndreptați telecomanda către senzorul de telecomandă de pe panoul frontal și apăsați butonul corespunzător de pe telecomandă.

Telecomanda funcționează cel mai bine într-un interval de 6 ~ 7 metri față de panoul frontal și la un unghi de 30 de grade. Lumina puternică a soarelui sau condițiile de iluminare ale camerei pot interfera cu telecomanda. Dacă utilizarea telecomenzii este nesatisfăcătoare sau dacă funcționarea unității încetează complet, mai întâi încercați să înlocuiți bateriile telecomenzii, apoi încercați să reduceți iluminarea încăperii.

## MONTAREA BATERIEI CU LITIU ÎN TELECOMANDĂ

Telecomanda include o baterie cu litiu CR2025 (3 V).

Pentru a înlocui bateria, împingeți ușor încuietoearea în direcția corectă în conformitate cu instrucțiunile și apoi scoateți compartimentul pentru baterii. Scoateți bateria descărcată și montați o nouă baterie cu litiu (CR-2025) în compartiment, cu polaritatea pozitivă neprotejată, apoi împingeți compartimentul înapoi în poziția sa până se aude un „clac” care indică faptul că montarea s-a finalizat.

## FUNCȚII DE BAZĂ

### PORNIREA UNITĂȚII

După conectarea alimentării, apăsați butonul **⏻/FUNC.** pentru a porni unitatea, apoi apăsați din nou butonul **⏻/FUNC.** pentru a alege unul din modurile **FM / TAPE / CD / USB / BT** sau **DAB**.

NOTĂ: În modul **CD / USB / AUX**, atunci când nu execută funcția principală timp de 15 minute, unitatea va trece automat în modul Standby (așteptare). În modul Tape (Casetă), numai caseta se oprește timp de 15 minute, unitatea va trece automat în modul Standby (așteptare). Pentru a porni din nou unitatea, apăsați butonul **⏻/FUNC.** sau reconectați unitatea la sursa de alimentare.

**Sugestie privind descărcările electrostatice (ESD)** – Produsul se poate reseta sau nu la operațiunea de control din cauza descărcării electrostatice, este suficient să îl opriți și să îl reconectați.

### PENTRU A REGLA VOLUMUL

Apăsați butonul **VOL.+/-** pentru a mări sau micșora volumul.

### MUFĂ JACK PENTRU CASCĂ

Pentru ascultarea privată, conectați o cască de 3,5 mm (nu este inclusă) la mufa jack pentru CASCĂ. DIFUZORUL va fi dezactivat automat.

**ATENȚIONARE:** ASCULTAREA LA UN VOLUM ÎNALT PE O PERIOADĂ ÎNDELUNGATĂ DE TIMP DĂUNEAZĂ URECHILOR.

## UTILIZAREA RADIOULUI FM

### REGLAREA POSTURILOR DE RADIO

1. Apăsați butonul **⏻/FUNC.** pentru a alege modul radio: **FM mode** (Modul FM).
2. Reglați postul de radio dorit apăsând butonul **▶▶/TUN+** sau **◀◀/TUN-**, frecvența postului va apărea pe ecran.
3. Apăsați butonul **VOL.+/-** pentru a regla volumul la un nivel confortabil.
4. Pentru a optimiza recepția atunci când ascultați posturile care emit în banda FM, extindeți antena telescopică la întreaga sa lungime. Când este recepționat semnalul stereo, pe ecran apare textul **“ST”**.



## SCANAREA (CĂUTAREA) AUTOMATĂ A POSTURILOR RADIO

Apăsați și mențineți apăsat butonul **►II/SELECT/SCAN/PAIR** de pe unitate, unitatea va efectua scanarea automată și programarea până când va recepționa un semnal puternic. Unitatea va începe să difuzeze de pe P01 după finalizarea căutării, apoi apăsați butonul **10/FOLD./MEM+** sau **10/FOLD./MEM-** pentru a alege postul de radio dorit.

## LUCRUL CU MEMORIA DE POSTURI RADIO

Puteți pre-stoca 30 de posturi radio (FM) în memorie după preferințe

1. Apăsați butonul **►►/TUN+** sau **◄◄/TUN-** pentru a selecta primul post dorit. Apoi apăsați și mențineți apăsat butonul **PROG./M/P-MODE** de pe unitate, pe ecran va apărea textul **"PRESET STORE"**.
2. Apăsați **►►/TUN+** sau **◄◄/TUN-** pentru a alege secvența pe care doriți să o stocați, apoi apăsați butonul **►II/SELECT/SCAN/PAIR** de pe unitate pentru a confirma.
3. Pentru a căuta un alt post radio, repetați pașii 1 și 2 până când toate posturile dorite sunt stocate. Pot fi programate până la 30 de posturi.

## UTILIZAREA RADIOULUI DAB

Modul radio DAB primește semnal radio digital DAB/DAB+ și afișează informații despre post și pista programată în cursul difuzării. Apăsați butonul **⊕/FUNC.** până când pe ecran apare textul **"Welcome to DAB"**.

## SISTEM

Setarea Sistem vă permite să selectați limbile de afișare, să resetați sistemul la setările din fabrică și să vizualizați versiunea software-ului.

## LIMBĂ

Pentru a selecta diferite limbi pentru afișarea mesajelor. Apăsați și mențineți apăsat butonul **■/MENU/INFO** pentru a accesa selecția meniului, selectați opțiunea **"Sistem"** și apăsați butonul **►II/SELECT/SCAN/PAIR** pentru accesare, selectați **"Limba"**, apoi apăsați butonul **►►/TUN+** sau **◄◄/TUN-** pentru a alege limba de afișare dorită, apoi apăsați butonul **►II/SELECT/SCAN/PAIR** pentru a confirma.

## RESETAREA LA SETĂRILE DIN FABRICĂ

Resetarea la setările din fabrică poate ajuta la ștergerea tuturor setărilor definite de utilizator, înlocuindu-le cu setările implicite originale, incluzând lista posturilor DAB și posturile presetate. Apăsați și mențineți apăsat butonul **■/MENU/INFO** pentru a accesa selecția meniului, selectați opțiunea **"Sistem"** pentru accesare și apăsați butonul **►II/SELECT/SCAN/PAIR** pentru accesare, selectați **"Resetare la setările din fabrică"**, apoi apăsați butonul **►►/TUN+** sau **◄◄/TUN-** pentru a alege opțiunea **DA** sau opțiunea **NU**, apoi apăsați butonul **►II/SELECT/SCAN/PAIR** pentru a confirma.

## VERSIUNEA SOFTWARE-ULUI

Aceasta afișează versiunea curentă a software-ului. Apăsați și mențineți apăsat butonul **■/MENU/INFO** pentru a accesa selecția meniului, selectați opțiunea **"Sistem"** și apăsați butonul **►II/SELECT/SCAN/PAIR** pentru accesare, selectați **"Versiune software"**, apoi apăsați butonul **►II/SELECT/SCAN/PAIR** pentru a vizualiza versiunea curentă a software-ului.

## SCANAREA PENTRU CĂUTAREA POSTURILOR

1. Pentru a efectua o scanare completă, apăsați și mențineți apăsat butonul **■/MENU/INFO** pentru a accesa selecția meniului, selectați opțiunea **“Scanare completă”** și apăsați butonul **▶▶/SELECT/SCAN/PAIR** de pe unitate pentru a confirma. După finalizarea scanării complete, radioul revine la redarea postului selectat anterior sau la redarea primului post din lista de posturi.
2. Pentru a alege din lista de posturi scanate, apăsați butonul **▶▶/TUN+** sau **◀◀/TUN-** pentru a parcurge prin derulare lista de posturi și apăsați butonul **▶▶/SELECT/SCAN/PAIR** pentru a confirma. Ecranul **“Se redă”** va afișa detaliile noului post.
3. Pentru a elimina posturile care sunt listate, dar indisponibile, apăsați și mențineți apăsat butonul **■/MENU/INFO** pentru a accesa selecția meniului, selectați opțiunea **“Filtrare posturi”** și apăsați butonul **▶▶/SELECT/SCAN/PAIR** pentru accesare, apăsați butonul **▶▶/TUN+** sau **◀◀/TUN-** pentru a alege opțiunea **Da** sau opțiunea **Nu**, apoi apăsați butonul **▶▶/SELECT/SCAN/PAIR** pentru a confirma. În acest fel se elimină toate posturile nevalide, indicate în lista de posturi cu un **“?”** în fața numelui postului.

## POSTURI PRESETATE

Pentru a stoca un post într-o memorie de valori presetate, reglați postul pe care doriți să îl salvați ca presetare, apoi apăsați butonul **PROG./M/P-MODE** de pe unitate până când pe ecran apare textul **“Stoc presetări”**. Utilizați butonul **▶▶/TUN+** sau **◀◀/TUN-** pentru a alege o poziție în memoria de valori presetate (de exemplu, **“Presetare 1”**), apoi apăsați butonul **▶▶/SELECT/SCAN/PAIR** pentru a confirma. Repetați această operațiune pentru a salva până la 30 de posturi presetate.

## REGLAREA MANUALĂ

Pentru a efectua o reglare manuală, apăsați și mențineți apăsat butonul **■/MENU/INFO** pentru a accesa selecția meniului, selectați opțiunea **“Reglare manuală”** și apăsați butonul **▶▶/SELECT/SCAN/PAIR** pentru a confirma. Utilizați butonul **▶▶/TUN+** sau **◀◀/TUN-** pentru a regla posturile dorite

## INFORMAȚII DESPRE POSTUL CURENT

În timpul redării unui post, ecranul afișează numele postului și informațiile DLS (Dynamic Label Segment) transmise de post, cum ar fi numele programului, titlul pistei și detaliile de contact. Pentru a vizualiza informații suplimentare, apăsați de fiecare dată butonul **■/MENU/INFO** pentru a afișa setul următor de informații, parcurgând ciclic: text DLS, informații DL Plus (acestea sunt afișate numai dacă sunt transmise de post), intensitatea semnalului, tipul programului, numele ansamblului, numărul/frecvența canalului, rata de eroare a semnalului și rata de biți.

## COMPRIMAREA INTERVALULUI DINAMIC (DRC)

Această funcție ajută la reducerea diferenței dintre cel mai intens și cel mai puțin intens sunet audio transmis. Efectiv, acest lucru face ca sunetele mai puțin intense să fie comparativ mai intense și sunetele mai intense să fie comparativ mai puțin intense. Există 2 opțiuni în această setare, opțiunile disponibile sunt: **DRC/Oprit**. Pentru a modifica setarea DRC, apăsați și mențineți apăsat butonul **■/MENU/INFO** pentru a accesa selecția meniului, selectați opțiunea **“DRC”**, apoi utilizați butonul **▶▶/SELECT/SCAN/PAIR** pentru a alege opțiunea dorită.

## UTILIZAREA CASETELOR

### ÎNȚELEGEREA BUTOANELOR

**PLAY** - Apăsați pentru a reda o casetă.

**REW** - Din modul Stop (Oprire), apăsați pentru a derula caseta înapoi spre începutul casetei.

**F.FWD** - Din modul Stop (Oprire), apăsați pentru a derula caseta rapid înainte spre sfârșitul casetei.

**STOP/EJ.** - Apăsați pentru a opri activitatea curentă a casetei sau pentru a deschide compartimentul pentru casetă atunci când niciun buton nu este activ.

**PAUSE** - apăsați pentru a întrerupe modul Play (Redare) sau modul Record (Înregistrare) al casetei. Apăsați a doua oară pentru a relua modul Play (Redare) sau modul Record (Înregistrare) al casetei.

### REDAREA UNEI CASETE

1. Apăsați butonul **⏮/FUNC.** pentru a alege modul **TAPE**.
2. Apăsați **STOP/EJ.** pentru a deschide compartimentul pentru casetă.
3. Introduceți caseta în compartiment cu marginea deschisă orientată în sus și bobina completă în dreapta.
4. Închideți ușița în siguranță.
5. Apăsați **REW** sau **F.FWD** pentru a muta caseta la punctul de pornire dorit.
6. Apăsați tasta **PLAY** pentru a începe redarea casetei.
7. Reglați volumul la nivelul dorit de ascultare.

### CARACTERISTICA DE OPRIRE AUTOMATĂ

Când unitatea pentru de casete funcționează în modul Play (Redare) sau în modul Record (Înregistrare) și se ajunge la capătul casetei, unitatea se oprește automat și readuce toate butoanele în poziția lor dezactivată.

### ÎNREGISTRAREA DE LA RADIO

1. Încărcați o casetă goală în compartimentul pentru casetă și închideți ușița.
2. Apăsați butonul **⏮/FUNC.** pentru a alege modul **FM** sau modul **DAB**.
3. Reglați postul dorit apăsând butonul **⏪** sau **⏩**.
4. Apăsați tasta **RECORD** pentru a începe înregistrarea. Tasta **RECORD** și tasta **PLAY** se coboară simultan.
5. Apăsați tasta **STOP/EJ.** pentru a opri înregistrarea.
6. Pentru a asculta ceea ce ați înregistrat, urmați instrucțiunile din REDAREA UNEI CASETE.

*NOTĂ: PUNERE PE PAUZĂ PENTRU UN MOMENT - Folosind tasta **PAUSE** de pe unitatea de casetă în locul tastei **STOP/EJ.** pentru a întrerupe momentan înregistrarea, beneficiați de o înregistrare mult mai clară. Apăsați din nou tasta **PAUSE** pentru a relua înregistrarea.*

### ÎNREGISTRAREA DE PE CD/USB

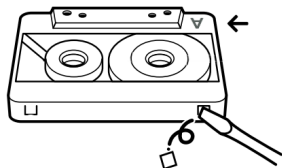
1. Introduceți o casetă goală în compartimentul pentru casetă.
2. Apăsați butonul **⏮/FUNC.** pentru a alege modul **CD** sau modul **USB**.
3. Încărcați un CD și selectați pista pe care doriți să o înregistrați.
4. Apăsați butonul **▶II/SELECT/SCAN/PAIR** pentru CD pentru a începe redarea. Apăsați tasta **RECORD** pentru a începe înregistrarea. Tasta **RECORD** și tasta **PLAY** se coboară simultan.
5. Apăsați tasta **PAUSE** pentru a întrerupe sau edita înregistrarea. Apăsați din nou tasta pentru a relua înregistrarea.
6. Apăsați tasta **STOP/EJ.** pentru a opri înregistrarea.
7. Pentru a asculta ceea ce ați înregistrat, urmați instrucțiunile din REDAREA UNEI CASETE.

## TIPURI DE CASETĂ

Folosii numai casete de bună calitate (IEC TIP 1) pentru efectuarea de înregistrări. Unitatea poate fi utilizată pentru a reda alte tipuri de casete, dar nu poate realiza înregistrări adecvate pe aceste casete mai specializate. Utilizarea casetelor C120 NU este recomandată la acest aparat.

### PROTEJAREA ÎNREGISTRĂRILOR

În mod normal, orice înregistrare existentă pe casetă este ștersă automat la crearea unei noi înregistrări. Este posibil să vă protejați înregistrarea împotriva ștergerii accidentale îndepărtând clapetele aflate pe spatele casetei.



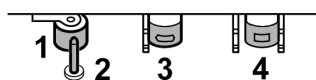
ÎNDEPĂRTAȚI CLAPETA PENTRU PARTEA "A"

Când caseta este ținută cu partea înregistrată deasupra și cu banda expusă orientată spre față, clapeta de protecție se găsește în partea din spate stângă a casetei.

Toate casetele preînregistrate sunt protejate în acest fel pentru a preveni ștergerea accidentală a înregistrării comerciale. Casetă „protejată” va împiedica acționarea butonului de înregistrare. Dacă, în orice moment încercați să înregistrați și constatați că acest buton nu poate fi apăsat, nu forțați niciodată mecanismul, în caz contra acesta poate fi deteriorat. Asigurați-vă că a fost încărcată o casetă și că nu a fost îndepărtată clapeta. Înregistrarea pe o casetă de la care au fost îndepărtate clapetele se poate face acoperind deschiderile pentru clapete cu o bucată de bandă adezivă.

### ÎNGRIJIREA MECANISMULUI CASETEI

Curățați ușor capul benzii și ansamblurile rolă de prindere/cabestan după fiecare 10 ore de utilizare a unității. Este disponibilă o gamă de produse pentru îngrijirea casetelor.



1. Rolă de prindere
2. Cabestan
3. Cap de înregistrare/redare
4. Cap de ștergere

Capul de ștergere, capul de înregistrare/redare și suprafața rolei de prindere sunt delicate și nu trebuie atinse cu obiecte metalice, cum ar fi șurubelnițe. Este posibil să vă fie mai ușor să curățați ansamblul apăsând butonul **PLAY** pentru a aduce capul și rola de prindere la vedere. Asigurați-vă că apăsați butonul **STOP/EJ.** după curățarea mecanismului. Se poate produce deteriorarea roții de prindere dacă unitatea este lăsată în modul **PLAY** cu întrerupătorul de alimentare în poziția oprit. În niciun caz nu trebuie să încercați să lubrifiați o componentă a aparatului, oricare ar fi aceasta.

## UTILIZAREA DISCURILOR CD/MP3

### DISCURI PENTRU REDARE

Acest sistem poate reda toate discurile de tip CD audio digital, MP3, CD înregistrabil (CD-R) audio digital finalizat, CD reinscriptibil (CD-RW) audio digital finalizat și CD/CD-R/CD-RW audio digital format CD-DA.

## ÎNCĂRCAREA UNUI DISC

1. Apăsați butonul **⏻/FUNC.** pentru a alege modul **CD**.
2. Deschideți ușița pentru CD. Pe ecran se va afișa textul **"OPEN"**.
3. Așezați un CD în tăviță, cu partea cu eticheta orientată în sus.
4. Închideți ușița pentru CD. Numărul total de piste va apărea pe ecran după finalizarea citirii.
5. Pentru a scoate CD-ul, apăsați butonul **■/MENU/INFO** și deschideți capacul compartimentului pentru CD, prindeți CD-ul de margini și scoateți-l cu atenție.

Notă:

*Pentru a asigura o performanță bună a sistemului; așteptați până când discul este citit complet înainte de a continua.*

*Dacă nu este încărcat niciun disc în compartiment sau dacă discul este așezat cu fața în jos, ecranul va afișa **"NO DISC"**.*

## REDAREA UNUI DISC

1. După încărcarea discului, unitatea începe automat redarea.
2. Pentru a întrerupe redarea, apăsați butonul **⏮/SELECT/SCAN/PAIR**. Indicatorul „timp de redare curent” va clipi pe ecran. Pentru a relua redarea, apăsați din nou butonul **⏮/SELECT/SCAN/PAIR**.
3. Pentru a opri redarea, apăsați butonul **■/MENU/INFO**, numărul total de piste apare pe ecran.

## SELECTAREA PISTEI DORITE/PASAJULUI DORIT

### Pentru selectarea pistei dorite

- Apăsați în mod repetat butonul **⏮/TUN+** sau **⏭/TUN-** în modul Stop (Oprire) sau în timpul redării până când pe ecran apare pista dorită.
- Apăsați butonul **⏮/SELECT/SCAN/PAIR** pentru a începe redarea.

### Pentru a căuta un anumit pasaj în timpul redării (scanarea pistelor la viteză mare)

Apăsați și mențineți apăsat butonul **⏮/TUN+** sau **⏭/TUN-** pentru a scana pista care rulează curent la viteză mare până când apare pasajul dorit, apoi eliberați butonul. Redarea va începe din nou din acest punct.

### Pentru a selecta o melodie al cărei număr de pistă depășește 10 (doar pentru discurile MP3)

Pentru a selecta o melodie/o pistă al cărei număr depășește 10, apăsați butonul **10/FOLD./MEM.+** sau **10/FOLD./MEM.-** de fiecare dată pentru a sări înainte/înapoi cu 10 piste, apoi apăsați butonul **⏮/TUN+** sau **⏭/TUN-** pentru a selecta pista dorită. De exemplu: pentru a selecta cea de-a 17-a pistă, apăsați butonul **10/FOLD./MEM.+**, apoi apăsați imediat butonul **⏮/TUN+** de șase ori.

### Pentru a selecta folderul dorit (numai pentru discuri MP3)

(dacă discul MP3 conține mai mult de un folder)

Pentru a trece la folderul dorit în timpul redării, țineți apăsat butonul **10/FOLD./MEM.+** sau **10/FOLD./MEM.-** timp de aproximativ 2 secunde pentru a trece la folderul următor/anterior.

## PROGRAMAREA PISTELOR

Programarea pistelor de disc este posibilă atunci când redarea este oprită. În memorie pot fi stocate, în orice ordine, până la 20 de piste de CD/99 de piste de MP3.

1. În modul Stop (Oprire), apăsați butonul **PROG./M/P-MODE**, textul "**T-000**" va clipi pe ecran și indicatorul "**P01**" va fi aprins.
2. Apăsați butonul **▶▶/TUN+** sau **◀◀/TUN-** pentru CD pentru a selecta prima pistă dorită pentru a fi programată.
3. Apăsați butonul **PROG./M/P-MODE** pentru accesare. Ecranul afișează acum "**P02**".
4. Repetați pașii 2 și 3 pentru a stoca alte piste dorite până când toate pistele sunt programate.
5. Apăsați butonul **▶/SELECT/SCAN/PAIR** pentru a începe redarea de la prima pistă programată.
6. Apăsați butonul **■/MENU/INFO** pentru a opri redarea programată.

### Pentru a șterge memoria (programarea)

Pentru a șterge programarea, aveți două opțiuni:

1. Apăsați butonul **■/MENU/INFO** când discul este oprit.
2. Deschideți capacul compartimentului pentru CD, programarea va fi ștearsă.

*NOTĂ: Dacă există mai multe foldere pe discul USB sau MP3, este necesar să programați mai întâi folderele și apoi piste. Apăsați **10/FOLD./MEM.+** sau **10/FOLD./MEM.-** pentru a selecta primul folder pe care doriți să îl programați. Apoi apăsați butonul **▶▶/TUN+** sau **◀◀/TUN-** pentru a alege prima pistă pe care doriți să o programați, apăsați butonul **PROG./M/P-MODE** pentru accesare. Pe ecran apare acum textul "**P02**".*

## REPETAREA

### Pentru a repeta o singură pistă

1. În modul Play (Redare), apăsați o dată butonul **PROG./M/P-MODE**, textul "**REP-1**" va apărea și se va menține afișat pe ecran. Pista curentă va fi redată în mod repetat până când se apasă butonul **■/MENU/INFO**.
2. Pentru a anula funcția Repeat (Repetare), apăsați butonul **PROG./M/P-MODE**, până când "**REP-1**" dispare de pe ecranul LCD.

### Pentru a repeta toate pistele

1. În modul Play (Redare), apăsați butonul **PROG./M/P-MODE** până când textul "**REP-ALL**" apare și se menține afișat pe ecran, toate pistele de pe disc vor fi redade în mod repetat până când se apasă butonul **■/MENU/INFO**.
2. Pentru a anula funcția Repeat (Repetare), apăsați butonul **PROG./M/P-MODE**, până când "**REP-ALL**" dispare de pe ecranul LCD.

### Pentru a repeta folderul curent (doar pentru MP3)

1. În modul Play (Redare), apăsați butonul **PROG./M/P-MODE** până când textul "**REP-ALBUM**" apare și se menține afișat pe ecran, folderul curent va fi redat în mod repetat până când se apasă butonul **■/MENU/INFO**.
2. Pentru a anula funcția Repeat (Repetare), apăsați butonul **PROG./M/P-MODE**, până când "**REP-ALBUM**" dispare de pe ecranul LCD.

## REDAREA ALEATORIE

În modul Play (Redare), apăsați butonul **PROG./M/P-MODE** până când textul "**RANDOM**" apare și se menține constant pe ecran, redarea aleatorie va începe imediat până când toate pistele sunt redade și apoi se va opri. Apăsați o dată butonul **PROG./M/P-MODE** pentru a anula.

## INTRODUCEREA

În modul Play (Redare), apăsați butonul **PROG./M/P-MODE** până când textul **"INTRO"** apare și se menține constant pe ecran, redarea introducerii va începe și va scana 10 secunde pentru fiecare pistă. Pentru a anula redarea introducerii, apăsați butonul **PROG./M/P-MODE** până când textul **"INTRO"** dispare de pe ecran.

## UTILIZAREA USB

1. Apăsați butonul **☺/FUNC.** pentru a alege modul **USB**.
2. Conectați dispozitivul USB la intrarea USB. Ecranul LCD va afișa numărul total de piste și foldere stocate pe dispozitivul USB. După citirea dispozitivului USB, unitatea va începe automat redarea.
3. Apăsați butonul **■/MENU/INFO** de pe unitate pentru a opri redarea. Ecranul va afișa numărul total de piste și foldere.
4. Realizați operațiunea de repetare a redării (repetare 1- repetare folder - repetare toate - redarea aleatorie - introducerea) așa cum este descris mai sus la UTILIZAREA DISCURILOR CD/MP3.

**ATENȚIONARE:** Nu utilizați niciun cablu prelungitor USB pentru conectarea dispozitivului USB, deoarece un astfel de cablu poate provoca interferențe.

## UTILIZAREA BLUETOOTH

1. Apăsați butonul **☺/FUNC.** pentru a comuta la funcția **BLUETOOTH**, textul **"UNCONNECT"** va clipi cu viteză mare pe ecranul LCD.
2. Porniți funcția Bluetooth pe dispozitiv, scanați unitatea **"JVC RC-E561B-DAB"** și conectați-o, apoi introduceți parola 0000 dacă este necesar, textul **"BT MODE CONNECT"** va fi afișat constant pentru a indica realizarea conexiunii. Apăsați butonul **▶/SELECT/SCAN/PAIR** de pe unitate sau tasta de redare pentru ca dispozitivul să înceapă redarea.
3. În cazul în care unitatea nu se poate conecta la Bluetooth relativ în termen de 2 minute, apăsați și mențineți apăsat butonul **▶/SELECT/SCAN/PAIR** pe unitate pentru reconectare.
4. Apăsați butoanele **VOL.+/-** pentru a selecta nivelul dorit.
5. Apăsați butonul **▶▶/TUN+** sau **◀◀/TUN-** de pe unitate pentru a alege pista dorită.
6. Pentru a opri redarea, apăsați butonul **▶/SELECT/SCAN/PAIR**.

*Notă: Conexiunea Bluetooth funcționează cel mai bine la 10 metri.*

## UTILIZAREA INTRĂRII AUXILIARE

Această unitate este prevăzută cu o mufă jack de 3,5 mm pentru intrare auxiliară, prin intermediul acestei mufe jack pot fi conectate la unitate și pot fi amplificate alte surse audio.

1. Conectați un capăt al cablului audio (cablul nu este inclus) la mufa jack INTRARE AUXILIARĂ și celălalt capăt la mufa IEȘIRE AUDIO a sursei audio externe. Unitatea va trece automat în modul INTRARE AUXILIARĂ.
2. Reglați volumul unității principale la nivelul dorit.
3. Apăsați **PLAY** externího zařízení de pe sursa externă (de exemplu, MP3 player) pentru a începe redarea.

## ÎNTREȚINEREA CD-URILOR

Utilizați întotdeauna un disc compact care poartă marcajul așa cum se arată în imagine.



Note privind manipularea discurilor:

- Scoaterea discului din carcasa sa și încărcarea acestuia.
- Nu atingeți suprafața reflectantă înregistrată.
- Nu lipiți hârtie și nu scrieți nimic pe suprafață.
- Nu deformați discul.

Depozitare

- Depozitați discul în carcasa sa.
- NU expuneți discurile la lumina directă a soarelui sau la temperaturi ridicate, umiditate ridicată sau locuri cu praf.

Curățarea unui disc

- În cazul în care discul se murdărește, ștergeți praful, murdăria și amprentele de degete cu o lavetă moale.
- Discul trebuie curățat de la centru spre margine.
- Nu utilizați niciodată benzen, diluanți, lichide de curățare pentru înregistrări sau spray antistatic.
- Asigurați-vă că închideți ușița pentru CD, astfel încât lentila să nu fie contaminată de praf.
- Nu atingeți lentila.



## SPECIFICAȚII

### GENERAL

Putere necesară	Curent alternativ 100-240V ~ 60/50Hz Curent continuu 6 baterii de 9V UM-1/D
Consum de energie	14 W
Greutate	Aprox. 1,7 kg
Consum de energie în standby	< 0,5 W
Dimensiuni	Aprox. 285 (Lun.) x 213 (Lăț.) x 140 (Înă.) mm
Temperatură de lucru	+5°C – +35°C

### SECȚIUNEA RECEPTORULUI

Gama de frecvențe FM	87,5 – 108 MHz
Gama de frecvențe DAB+	174,928 - 239,200 MHz

### SECȚIUNEA BLUETOOTH

Gama de frecvențe BT	2402 – 2480 MHz
EIRP	2,64 dBm

### SECȚIUNEA PENTRU CD

Unitate optică	3 – Lasere cu fascicul
Răspunsul în frecvență	100 Hz – 16 kHz

### SECȚIUNEA PENTRU CASETĂ

Sistem de înregistrare	2 piste 2 canale (Stereo)
Polarizare sistem	Polarizare c.c.
Răspunsul în frecvență	125–6,3 kHz
Wow și flutter	0,35 % WRMS (JIS)

### SECȚIUNEA AUDIO

Puterea de ieșire	2 x 1,5 W RMS
-------------------	---------------

### ACCESORII

Broșură cu instrucțiuni, Cablu de curent alternativ, Telecomandă

**NE REZERVĂM DREPTUL DE A MODIFICA SPECIFICAȚIILE TEHNICE.**

Informații despre produs și despre rețeaua de puncte de service pot fi găsite la adresa de internet [www.JVCAUDIO.ro](http://www.JVCAUDIO.ro)



**AVERTIZARE:** NU UTILIZAȚI ACEST PRODUS LÂNGĂ APĂ, ÎN ZONE UMEDE, PENTRU A EVITA INCENDIUL, VĂTĂMAREA CORPORALĂ SAU ELECTROCUTAREA. OPRIȚI ÎNTOTDEAUNA PRODUSUL CÂND NU ÎL UTILIZAȚI SAU ÎNAINTE DE O REVIZIE. ÎN ACEST APARAT NU EXISTĂ PIESE CARE SĂ POATĂ FI REPARATE DE CĂTRE CLIENT. APELAȚI ÎNTOTDEAUNA LA UN SERVICE CALIFICAT AUTORIZAT. PRODUSUL SE AFLĂ SUB O TENSIUNE PERICULOASĂ.



PENTRU A EVITA PERICOLUL DE SUFOCARE, NU LĂSAȚI PUNGA DIN PLASTIC LA ÎNDEMÂNA BEBELUȘILOR ȘI A COPIILOR. NU UTILIZAȚI ACEASTĂ PUNGĂ ÎN PATURI OBIȘNUITE, PATURI PENTRU COPII, CĂRUȚIOARE PENTRU COPII SAU ȚARCURI PENTRU COPII. ACEASTĂ PUNGĂ NU ESTE O JUCĂRIE.

### **Eliminarea echipamentelor electrice și electronice uzate (valabilă în țările Uniunii Europene și în alte țări europene cu sisteme de colectare separate)**



Acest simbol aflat pe produs sau pe ambalajul produsului indică faptul că acest produs nu trebuie tratat drept deșeu menajer. În schimb, produsul trebuie predat la punctul de colectare aplicabil pentru reciclarea echipamentelor electrice și electronice. Asigurându-vă că acest produs este eliminat în mod corect, veți ajuta la prevenirea posibilelor consecințe negative asupra mediului și asupra sănătății umane care altfel ar putea fi cauzate de manipularea inadecvată a deșeurilor acestui produs. Reciclarea materialelor contribuie la conservarea resurselor naturale. Pentru informații mai detaliate privind reciclarea acestui produs, vă rugăm să contactați primăria locală, serviciul local de eliminare a deșeurilor menajere sau magazinul de la care ați achiziționat produsul.

Prin prezenta, ETA a.s. declară că echipamentul radio de tip RC-E561B-DAB este conform cu Directiva 2014/53/UE. Textul integral al Declarației de conformitate UE este disponibil la următoarea adresă Internet: [www.JVCAUDIO.cz/doc](http://www.JVCAUDIO.cz/doc)

## ВЪВЕДЕНИЕ

- Благодарим ви за закупуването на нашия продукт.
- Моля, прочетете изцяло това Ръководство, за да знаете как да работите правилно с уреда. След като завършите четенето на това Ръководство, го поставете на подходящо място, за бъдещи справки.

## ПРЕДУПРЕЖДЕНИЕ

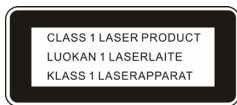
За да се предотврати опасността от запалване или електрически удар, не излагайте уреда на дъжд или влага. За да избегнете електрически удар, не отваряйте корпуса на уреда; оставете сервизното обслужване само на квалифициран персонал.

## ВНИМАНИЕ

Работа с елементите за управление или настройките или ползване на уреда по начини, различни от описаните тук, може да доведе до излагане на опасно излъчване.

## ОПАСНОСТ

Възможно е невидимо лазерно излъчване при отваряне на корпуса, ако предпазната блокировка не работи. Избягвайте пряко излагане на въздействието на лазерния лъч.



Този CD плъър е класиран като Class 1 LASER PRODUCT (ЛАЗЕРНО УСТРОЙСТВО от Клас 1). На задната страна на уреда отвън е поставен етикет CLASS 1 LASER PRODUCT (ЛАЗЕРНО УСТРОЙСТВО ОТ КЛАС 1).

*ЗАБЕЛЕЖКА: Производителят не е отговорен за възникнали смущения при радио и ТВ приемници, причинени от самоволни изменения на уреда. Те могат да доведат до отпадане на правото на потребителя да го ползва.*

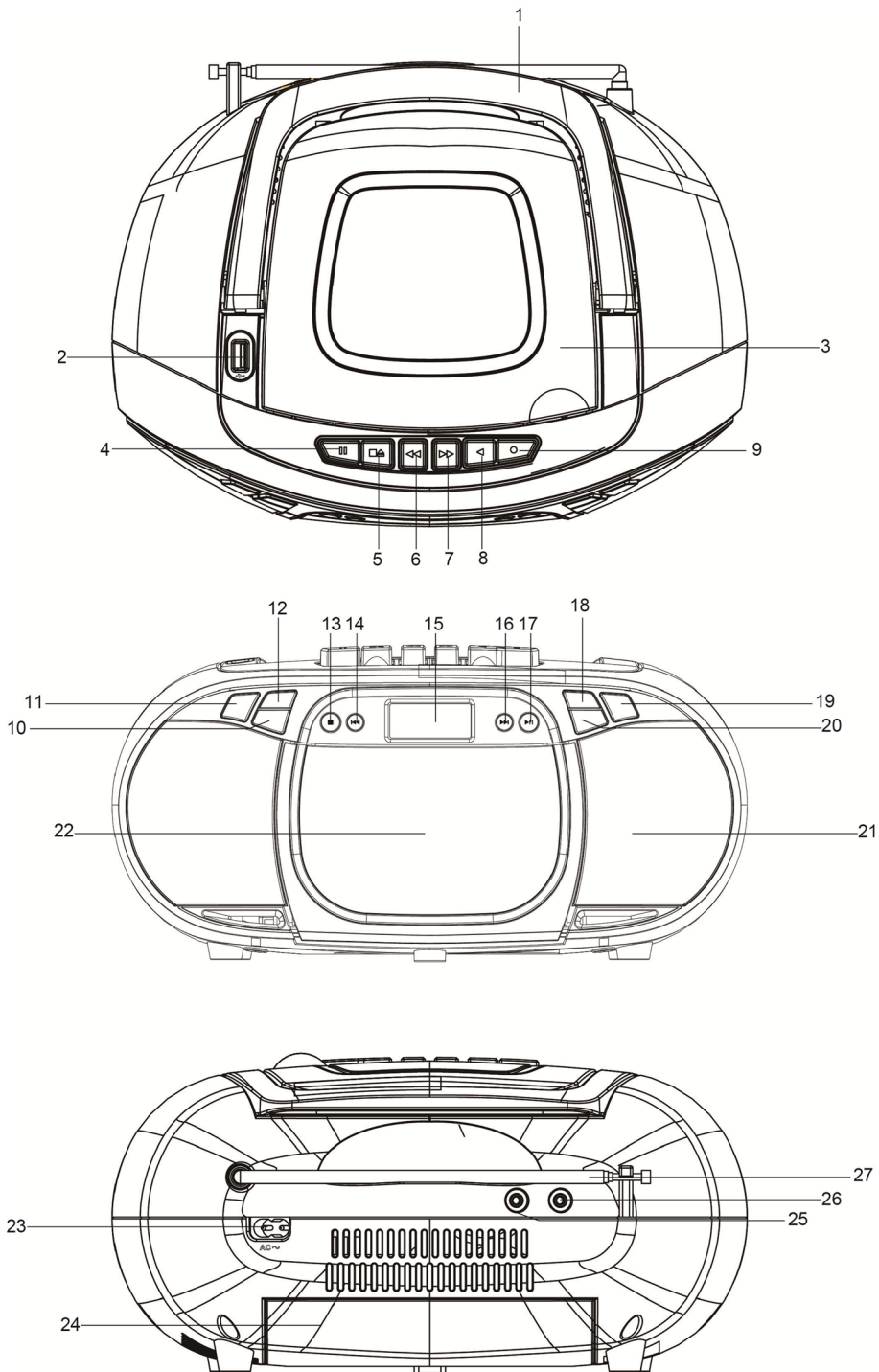
- Избягвайте поставяне на уреда на места, описани по-долу:
  - Места, изложени на пряка слънчева светлина или близо до уреди, излъчващи топлина като електрически радиатори или върху стереоуредби, които отделят силна топлина.
  - Места без вентилация или силно запрашени.
  - Места, изложени на постоянни вибрации.
  - Влажни или мокри места.
- Ползвайте ръкохватките и превключвателите както е указано в Ръководството за експлоатация.
- Преди да включите захранването на уреда за първи път, се уверете, че мрежовият кабел е правилно поставен.

**ПРЕДУПРЕЖДЕНИЕ:** Извадете батериите, ако са изтощени или ако няма да бъдат ползвани дълго време. Неправилната употреба на батериите може да доведе до протичане на електролита им и съответно - корозия на отсека им или възпламеняване на батериите, затова:

- Не смесвайте батерии от различен вид, например алкални с въглеродно-цинкови.
- Когато поставяте нови батерии, заменяйте всички едновременно.

Не поглъщайте батерията - опасност от химическо изгаряне (с нея е снабдено дистанционното устройство). Този продукт съдържа батерийка, подобна на монета. Ако тя бъде погълната, може да причини тежки вътрешни изгаряния само за 2 часа и дори да причини смърт. Дръжте новите и изтощените батерии далеч от деца. Ако отсеъкът за батерии не се затваря добре, престанете да ползвате уреда и го оставете на място, недостъпно за деца. Ако сметнете, че батерия е била погълната или напъхана в някоя част на тялото, веднага потърсете медицинска помощ.

# МЕСТОПОЛОЖЕНИЕ НА ЕЛЕМЕНТИТЕ ЗА УПРАВЛЕНИЕ



1. СГЪВАЕМА ДРЪЖКА
2. USB ПОРТ
3. ОТСЕК ЗА CD
4. КЛАВИШ ЗА „ПАУЗА“ НА КАСЕТАТА
5. КЛАВИШ ЗА „СТОП/ИЗВАЖДАНЕ“ НА КАСЕТАТА
6. КЛАВИШ „БЪРЗО НАПРЕД“ НА КАСЕТАТА
7. КЛАВИШ „ПРЕНАВИВАНЕ“ НА КАСЕТАТА
8. КЛАВИШ „ВЪЗПРОИЗВЕЖДАНЕ“ НА КАСЕТАТА
9. КЛАВИШ „ЗАПИС“ НА КАСЕТАТА
10. БУТОН 10/FOLD./MEM.-
11. БУТОН PROG./M./P-MODE
12. БУТОН 10/FOLD./MEM.+
13. БУТОН ■/MENU/INFO
14. БУТОН ◀◀/TUN-
15. LCD ДИСПЛЕЙ
16. БУТОН ▶▶/TUN+
17. БУТОН ▶▶/SELECT/SCAN/PAIR
18. БУТОН VOL+
19. БУТОН ⏻/FUNC.
20. БУТОН VOL-
21. ВИСОКОГОВОРТЕЛИ
22. ОТСЕК ЗА КАСЕТАТА
23. ГНЕЗДО ЗА ЕЛ. МРЕЖОВ КАБЕЛ
24. ОТСЕК ЗА БАТЕРИИТЕ
25. ВХОДЕН ЖАК AUX IN
26. ИЗХОДЕН ЖАК ЗА СЛУШАЛКИ
27. FM АНТЕНА

### **ИЗТОЧНИК НА ЗАХРАНВАНЕ**

Уредът е конструиран за хранване от променливотокова мрежа (AC) или с постоянно напрежение от батерии (DC).

### **РАБОТА СЪС ЗАХРАНВАНЕ ОТ ЕЛ.МРЕЖА**

Вкарайте съответния край на мрежовия кабел в гнездото за мрежово хранване на уреда и щепсела на кабела - в подходящ стенен контакт. Уредът автоматично се изключва.

### **РАБОТА НА БАТЕРИИ**

Отворете ВРАТИЧКАТА НА ОТСЕКА ЗА БАТЕРИИ Поставете 6 броя батерии UM-1/D в отсека (не са в комплекта). Внимавайте да спазите указаната полярност

### **ВНИМАНИЕ**

- Извадете батериите, ако са изтощени или няма да се ползват дълго време.
- Батериите съдържат химически вещества, затова трябва да бъдат изхвърляни екологично правилно.

## **ДИСТАНЦИОННО УПРАВЛЕНИЕ**

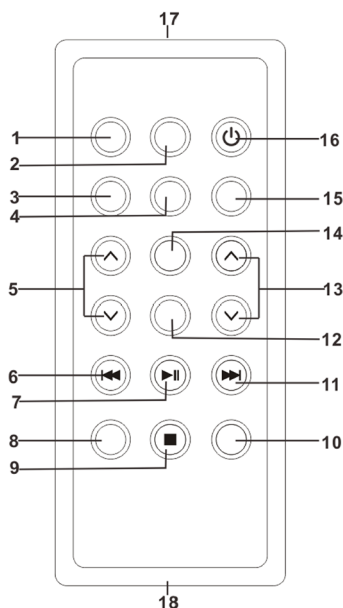
### **РАБОТА С ДИСТАНЦИОННОТО УПРАВЛЕНИЕ**

За да управлявате плеъра с помощта на ръчния уред за дистанционно управление, насочете излъчвателя на уреда към челния панел на плеъра и натиснете бутона за желаната функция.

Дистанционното управление работи най-добре в диапазон до 6-7 метра от челния панел на плеъра, при ъглово отклонение до 30 градуса. Пряка слънчева светлина или осветяване на челния панел от лампи в помещението могат да попречат на правилната работа на дистанционното управление. Ако дистанционното управление е нестабилно или престане да действа, първо пробвайте да замените батериите на ръчното дистанционно управление, а след това намалете осветяването на челния панел на уреда от странична светлина.

### **ПОСТАВЯНЕ НА ЛИТИЕВА БАТЕРИЯ В ДИСТАНЦИОННОТО УПРАВЛЕНИЕ**

Ръчният уред за дистанционно управление съдържа една литиева батерия тип CR2025 (3 V). За да замените батерията, внимателно изместете капачето в правилната посока според указаниято и след това отворете отсека ѝ. Извадете изтощената батерия от отсека и поставете нова литиева батерия (CR-2025), като внимавате за правилната полярност. След това затворете отсека с капачето докато чуete щракване.



1. БУТОН FUNC.
2. БУТОН MUTE
3. БУТОН MEMORY
4. БУТОН SCAN
5. БУТОН FOLD/10/M. UP/DOWN
6. БУТОН CD B-SKIP ◀◀/TUN-
7. БУТОН CD ▶▶/PAIR
8. БУТОН INFO
9. БУТОН ■/MENU
10. БУТОН SELECT
11. БУТОН CD F-SKIP ▶▶/TUN+
12. БУТОН ID3
13. БУТОН VOLUME UP/DOWN
14. БУТОН P-MODE
15. БУТОН MO/ST
16. БУТОН ⏻ STANDBY
17. ИЗЛЪЧВАТЕЛ НА ДИСТАНЦИОННОТО УПРАВЛЕНИЕ
18. ОТСЕК ЗА БАТЕРИИТЕ

## ОСНОВНИ ФУНКЦИИ

### ВКЛЮЧВАНЕ НА УРЕДА

След свързване на захранването на уреда, натиснете бутона **⏻/FUNC.** за да го включите, след което натиснете отново бутона **⏻/FUNC.** за да изберете режим **FM / TAPE / CD / USB / BT / DAB.**

**ЗАБЕЛЕЖКА:** В режим **CD/USB/AUX** когато не се ползва в течение на 15 минути, уредът автоматично ще премине в състояние на (пасивна) Готовност (standby). В режим Таре (Възпроизвеждане от касета), ако касетата е спряла за над 15 минути, уредът автоматично ще премине в състояние на (пасивна) Готовност (standby). За да включите отново уреда, натиснете бутона **⏻/FUNC.** или откачете и отново включете кабела на уреда.

**ESD съвети (Влияние на електростатичността)** - Ако уредът се самоизключи или промени функциите си вследствие на електростатичен разряд, просто изключете захранването му и го включете отново.

### НАСТРОЙКА НА СИЛАТА НА ЗВУКА

Натиснете бутона **VOL.+/-**, за да увеличите или намалите силата на звука (Volume).

### ЖАК HEADPHONE (СЛУШАЛКИ)

За да слушате без да пречите на околните, включете слушалки (невключени в комплекта) с 3,5 mm жак в изходния жак HEADPHONE (Слушалки). Високоговорителят (SPEAKER) автоматично ще се изключи.

**ВНИМАНИЕ:** ПРОДЪЛЖИТЕЛНО СЛУШАНЕ СЪС СИЛЕН ЗВУК МОЖЕ ДА УВРЕДИ СЛУХА ВИ.

## РАБОТА С FM СТАНЦИИ

### НАСТРОЙКА НА РАДИОСТАНЦИИ

1. Натиснете бутона **☺ /FUNC.** за да изберете режим на радиоприемане: Режим **FM**.
2. Настройте се на желана радиостанция, като натиснете бутона **▶▶/TUN+** или **◀◀/TUN-** като при това на дисплея ще се покаже честотата на радиостанцията.
3. Натиснете бутона **VOL.+/-**, за да настроите силата на звука до приятно ниво.
4. За да получите най-добър сигнал когато слушате FM радиостанция, изтеглете напълно телескопичната антена.

### АВТОМАТИЧНО СКАНИРАНЕ (ТЪРСЕНЕ) НА РАДИОСТАНЦИЯ

Натиснете и задръжте бутона **▶▶/SELECT/SCAN/PAIR** при което уредът ще изпълни автоматично сканиране докато намери силен сигнал. След като сканирането (търсенето) завърши, уредът ще започне работа от P01, след което натиснете бутона **10/FOLD./MEM+** или **10/FOLD./MEM**, за да изберете желаната запаметена радиостанция.

### РАБОТА С ПАМЕТТА ЗА РАДИОСТАНЦИИ

Можете да запаметите до 30 предпочитани FM радиостанции.

1. Натиснете бутона **▶▶/TUN+** или **◀◀/TUN-** за да изберете първата желана радиостанция. След това натиснете и задръжте бутона **PROG./M/P-MODE**, при което на дисплея ще се покаже **“PRESET STORE”**.
2. Натиснете бутона **▶▶/TUN+** или **◀◀/TUN-** за да изберете желаната последователност, която искате да запаметите и натиснете бутона **▶▶/SELECT/SCAN/PAIR** за да потвърдите.
3. Потърсете друга станция, повторете стъпки 1 и 2 докато запаметите всички желани радиостанции. Могат да бъдат програмирани (запаметени) до 30 радиостанции.

### РАБОТА С ЦИФРОВИ (DAB) РАДИОСТАНЦИИ

Режимът DAB приема сигнала от цифрови радиостанции от вида DAB/DAB+ и показва на дисплея информация за радиостанцията и програмата/възпроизвежданата пътечка. Натиснете бутона **☺ /FUNC.** докато дисплеят покаже **“Welcome to DAB”**.

### СИСТЕМА

Настройката Система ви позволява да изберете езика на дисплея, да възстановите заводските настройки и да видите версията на софтуера.

### ЕЗИК

Избор на друг език за съобщенията на дисплея. Натиснете и задръжте бутона **■ /MENU/INFO** за да влезете в менюто, изберете опцията **“System”** (Система ) и натиснете бутона **▶▶/SELECT/SCAN/PAIR** за да влезете, изберете **“Language”** (Език) и натиснете бутона **▶▶/TUN+** или **◀◀/TUN-** за да изберете желания език, след което натиснете бутона **▶▶/SELECT/SCAN/PAIR** за да потвърдите.

### ВРЪЩАНЕ НА ФАБРИЧНИТЕ НАСТРОЙКИ

Функцията Factory reset (Връщане на фабричните настройки) може да помогне да се анулират всички дефинирани от потребителя настройки и да се заменят с оригиналните настройки по подразбиране, включително списъка на цифровите (DAB) радиостанции и запаметените радиостанции. Натиснете и задръжте бутона **■ /MENU/INFO** за да влезете в менюто, изберете опцията **“System”** (Система ) и натиснете бутона **▶▶/SELECT/SCAN/PAIR** за да влезете; изберете **“Factory reset”** (Връщане на фабричните настройки), натиснете бутона **▶▶/TUN+** или **◀◀/TUN-** за да изберете **Да** или **Не**, след което натиснете

бутона ►/SELECT/SCAN/PAIR за да потвърдите.

## ВЕРСИЯ НА СОФТУЕРА

Тази функция показва текущата версия на софтуера. Натиснете и задръжте бутона ■/MENU/INFO за да влезете в менюто, изберете опцията “**System**” (Система ) и натиснете бутона ►/SELECT/SCAN/PAIR за да влезете, изберете опцията “**SW version**” (Версия SW) след което натиснете бутона ►/SELECT/SCAN/PAIR за да видите текущата версия на софтуера.

## СКАНИРАНЕ (ТЪРСЕНЕ) НА РАДИОСТАНЦИИ

1. За да направите пълно сканиране, натиснете и задръжте бутона ■/MENU/INFO за да влезете в менюто, изберете опцията “**Full scan**” (Пълно сканиране) и натиснете бутона ►/SELECT/SCAN/PAIR за да потвърдите. След като пълното сканиране завърши, радиоприемникът се връща към възпроизвеждане на последната избрана радиостанция или първата от списъка с радиостанции.
2. За да изберете от списъка със сканирани радиостанции, натиснете бутона ►►/TUN+ или ◀◀/TUN- за да преминавате през списъка с радиостанции и натиснете бутона ►/SELECT/SCAN/PAIR, за да потвърдите. Екранът “**Now playing**” (Възпроизвеждане) показва данни за новата радиостанция.
3. За да премахнете станциите, които са в списъка, но не са достъпни, натиснете и задръжте бутона ■/MENU/INFO за да влезете в менюто, изберете опцията “**Prune**” (Съкращаване) и натиснете бутона ►/SELECT/SCAN/PAIR за да влезете, натиснете бутона ►►/TUN+ или ◀◀/TUN- за да изберете опцията **Да** или **Не**, след което натиснете бутона ►/SELECT/SCAN/PAIR, за да потвърдите. Това премахва всички недействителни радиостанции, показани в списъка с радиостанции с въпросителен знак “?” пред името им.

## ЗАПАМЕТЕНИ РАДИОСТАНЦИИ

За да запаметите радиостанция в паметта, настройте уреда на радиостанцията, която желаете и натиснете бутона **PROG./M/P-MODE** докато дисплеят покаже “**Preset Store**” (Памет програми). Ползвайте бутона ►►/TUN+ или ◀◀/TUN- за да изберете позиция в паметта (например, “**Preset 1**” (Запам. програми 1)) и натиснете бутона ►/SELECT/SCAN/PAIR за да потвърдите. Повторете тази операция, за да запаметите до 30 радиостанции.

## РЪЧНО НАСТРОЙВАНЕ

За да направите ръчно настройване на радиостанция, натиснете и задръжте бутона ■/MENU/INFO за да влезете в менюто, изберете опцията “**Manual tune**” (Ръчна настройка) и натиснете бутона ►/SELECT/SCAN/PAIR за да потвърдите. Ползвайте бутона ►►/TUN+ или ◀◀/TUN- за да се настроите на желаните радиостанции.

## ИНФОРМАЦИЯ В МОМЕНТА СЕ ВЪЗПРОИЗВЕЖДА

Когато се възпроизвежда дадена радиостанция, дисплеят показва името ѝ и информация от вида DLS (Допълнителни сведения), например името на програмата, заглавие на аудиоплътчетката и възможни контакти. За да видите допълнителната информация, натискайте последователно бутона ■/MENU/INFO за да видите следващия сегмент информация: DLS text, DL Plus (показва се само ако се излъчва от радиостанцията), сила на сигнала, тип на програмата, име на изпълнителя, номер на канала/честота, грешки на сигнала и скорост на данните.



## ДИНАМИЧНА КОМПРЕСИЯ НА ДИАПАЗОНА (DRC)

Тази функция помага да се намали разликата между най-силната и най-слабата интензивност на аудиосигнала, излъчван от радиостанцията. Тя прави тихите звуци относително по-гърмки, а гърмките звуци - относително по-тихи. За тази функция, наличните опции са: **DRC/Изключена**. За да промените настройката на функцията DRC, натиснете и задръжте бутона **■/MENU/INFO** за да влезете в менюто, изберете опцията **“DRC”** и с бутона **▶II/SELECT/SCAN/PAIR** изберете желаната опция.

## РАБОТА С КАСЕТИ

### ПРЕДНАЗНАЧЕНИЕ НА БУТОНИТЕ

**PLAY** - Натиснете, за да възпроизведете касети.

**REW** - В режим Стоп натиснете, за да пренавиете касетата до началото ѝ.

**F.FWD** - В режим Стоп натиснете, за да пренавиете касетата бързо до края ѝ.

**STOP/EJ.** - Натиснете, за да прекратите текущата операция с касета или за да отворите отсека за касети когато няма активиран бутон.

**PAUSE** - Натиснете, за да прекъснете временно възпроизвеждането на касетата или режима на запис. Натиснете втори път, за да възобновите възпроизвеждането на касетата или режима на запис.

### ВЪЗПРОИЗВЕЖДАНЕ НА КАСЕТА

1. Натиснете бутона **⏵/FUNC.** за да изберете режим **TAPE**.
2. Натиснете клавиша **STOP/EJ.** за отваряне на вратичката на отсека за касети.
3. Поставете касета в отсека, с отворения ѝ край нагоре и пълна ролка отдясно.
4. Затворете добре вратичката на отсека за касети.
5. Натиснете **REW** или **F.FWD** за да пренавиете лентата до желаната начална точка.
6. Натиснете клавиша **PLAY** за да започнете възпроизвеждане на лентата.
7. Настройте силата на звука на желаното ниво за слушане.

### ФУНКЦИЯ ЗА АВТОМАТИЧЕН СТОП

Когато касетният дек работи в режим на възпроизвеждане или запис и достигне края на лентата, уредът автоматично се изключва и поставя всички клавиши в изключено състояние.

### ЗАПИС ОТ РАДИОПРИЕМНИКА

1. Заредете празна касета в отсека за касети и затворете вратичката му.
2. Натиснете бутона **⏵/FUNC.** за да превключите към режим **FM** или **DAB**.
3. Настройте уреда на желаната радиостанция като натиснете бутона **◀◀** или **▶▶**.
4. Натиснете клавиша **RECORD**, за да започнете запис. Клавишът **RECORD** и клавишът **PLAY** се задействат едновременно.
5. Натиснете клавиша **STOP/EJ.** за край на записа.
6. За да чуete какво сте записали, следвайте указанията в секция **ВЪЗПРОИЗВЕЖДАНЕ НА КАСЕТА**.

**ЗАБЕЛЕЖКА: ВРЕМЕННА ПАУЗА** - Ползвайте клавиша **PAUSE** на касетния дек вместо **STOP/EJ.** Клавишът за временно прекъсване на записа ви дава възможност за по-чист запис. Натиснете отново клавиша **PAUSE**, за да възобновите записа.

## ЗАПИС ОТ CD/USB

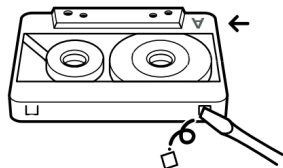
1. Заредете празна касета в отсека за касети.
2. Натиснете бутона **⏻/FUNC.** за да превключите към режим **CD** или **USB**.
3. Поставете компакт диск (CD) и изберете желаната пътечка, която искате да запишете.
4. Натиснете бутона **CD ►II/SELECT/SCAN/PAIR** за да започнете възпроизвеждане. Натиснете клавиша **RECORD**, за да започнете запис. Клавишът **RECORD** и клавишът **PLAY** се задействат едновременно.
5. Натиснете клавиша **PAUSE** за да прекъснете или редактирате записа. Натиснете го отново, за да възобновите записа.
6. Натиснете клавиша **STOP/EJ.** за край на записа.
7. За да чуete какво сте записали, следвайте указанията в секция **ВЪЗПРОИЗВЕЖДАНЕ НА КАСЕТА**.

## ВИДОВЕ КАСЕТИ

Когато правите записи, ползвайте само касети с добро качество (IEC TYPE 1). Уредът може да се ползва за възпроизвеждане и на други видове касети, но няма да се получи добър запис на касети от друг тип. При този уред НЕ се препоръчва ползването на касети тип C120.

### ЗАЩИТА НА ЗАПИСА

Като правило, всичко, записано на касетата, се изтрива автоматично, когато върху съществуващия запис се прави нов. Възможно е да се защити направения запис от случайно изтриване чрез премахване на предвидените за целта елементи в задната част на касетата.



ЕЛЕМЕНТ ЗА ЗАЩИТА СРЕЩУ ИЗТРИВАНЕ ЗА СТРАНА "А"

Когато касетата се държи със записаната страна нагоре и лентата към челната страна, елементът за защита е в долната задна част на касетата.

Всички касети със запис се защитават по този начин, за да се предотврати случайно изтриване на важен запис. Защитената касета не допуска задействане на клавиша за запис. Когато опитате да направите запис и установите, че клавишът за запис не действа, не насилвайте неговия механизъм, защото ще се повреди. Проверете дали в отсека има касета и дали нейният елемент за защита не е отстранен. Запис върху касети, чиито елементи за защита са отстранени, може да бъде направен, ако отворите за защита се затворят с тиксо.

### ГРИЖА ЗА КАСЕТНИЯ МЕХАНИЗЪМ

Внимателно почистете главата за лентата, както и притискащата и водеща ролки след всеки 10 часа ползване на уреда. В продажба се намират множество продукти за почистване на касетни механизми.



1. Притискаща ролка
2. Водеща ролка
3. Записваща/Възпроизвеждаща глава
4. Изтриваща глава

Изтриващата глава и Записващата/Възпроизвеждаща глава, както и повърхността на притискащата ролка са много фини и деликатни и в никакъв случай не трябва да бъдат

докосвани от метални предмети, например отвертки. Може да установите, че е по-лесно да почистите механизма, ако натиснете клавиша **PLAY** за да получите достъп до главата и притискащата ролка. Не забравяйте да натиснете бутона **STOP/EJ**, след почистване на механизма.

Повреда на притискащата ролка може да се получи, ако уредът се остави в състояние **PLAY** при изключено захранване. В никакъв случай не се опитвайте да смазвате която и да е част на уреда.

## РАБОТА С CD/MP3

### ДИСКОВЕ ЗА ВЪЗПРОИЗВЕЖДАНЕ

Тази система може да възпроизвежда всички цифрови аудио CD, MP3, финализирани CD-R дискове, финализирани презаписваеми (CD-RW) дискове, както и цифрови аудио дискове във формат CD-DA (CD/CD-R/CD-RW).

### ПОСТАВЯНЕ НА ДИСК

1. Натиснете бутона **⏪/FUNC.** за да изберете режим **CD**.
2. Отворете вратичката на отсека за CD. На дисплея се показва **"OPEN"**.
3. Поставете аудио CD в отсека, с етикета нагоре.
4. Затворете вратичката на отсека за CD. След като прочитането завърши, на дисплея се показва общия брой пътечки.
5. За да извадите CD, натиснете бутона **■/MENU/INFO** и отворете отсека за CD, хванете диска само по ръбовете и внимателно го извадете.

*Забележка:*

*За да осигурите добро поведение на системата, изчакайте докато прочитането на диска приключи, преди да преминете по-нататък.*

*Ако в отсека няма поставен диск или той е с етикета надолу, дисплеят ще показва **"NO DISC"**.*

### ВЪЗПРОИЗВЕЖДАНЕ НА КОМПАКТДИСК

1. След зареждане на диск, уредът стартира възпроизвеждането автоматично.
2. За да прекъснете възпроизвеждането, натиснете бутона **▶||/SELECT/SCAN/PAIR**. На дисплей ще мига индикаторът "current playing time" (Текущо време на възпроизвеждане). За да възобновите възпроизвеждането, натиснете отново бутона **▶||/SELECT/SCAN/PAIR**.
3. За да спрете възпроизвеждането, натиснете бутона **■/MENU/INFO**, като на дисплея ще се покаже общият брой на пътечките.

### ИЗБОР НА ЖЕЛАНА ПЪТЕЧКА/ПАСАЖ

**За да изберете желана пътечка**

- Натиснете няколкократно бутона **▶▶||/TUN+** или **◀◀||/TUN-** в режим Стоп или по време на възпроизвеждане, докато на дисплея се появи желаната пътечка.
- Натиснете бутона **▶||/SELECT/SCAN/PAIR**, за да започнете възпроизвеждането.

**За да търсите конкретен пасаж по време на възпроизвеждане (сканиране на пътечките при висока скорост)**

Натиснете и задръжте бутона **▶▶||/TUN+** или **◀◀||/TUN-**, за да сканирате текущо възпроизвежданата пътечка при висока скорост докато чуете желания пасаж, след което отпуснете бутона. Възпроизвеждането ще започне отново от тази точка.

## За да изберете песен, чиято пътечка е с номер по-голям от 10 (само за MP3 диск)

За да изберете песен/пътечка чийто номер по-голям от 10, натиснете бутона **10/FOLD./MEM.+** или **10/FOLD./MEM.-** всеки път, когато искате да прескочите напред/назад 10 пътечки и след това натиснете бутона **▶▶/TUN+** или **◀◀/TUN-**, за да изберете желаната пътечка. Например: за да изберете 17-та пътечка, натиснете бутона **10/FOLD./MEM.+** и веднага след това натиснете шест пъти бутона **▶▶/TUN+**.

## За избор на желана папка (Folder) (само за MP3 диск)

(ако MP3 дискът съдържа повече от една папка)

За да прескочите до желаната папка по време на възпроизвеждане, натиснете и задръжте бутона **10/FOLD./MEM.+** или **10/FOLD./MEM.-** за около 2 секунди за прескачане до следващата/предходната папка.

## ПРОГРАМИРАНЕ НА ПЪТЕЧКИ

Програмирането на пътечки от диск са възможни когато възпроизвеждането е спряно. В паметта могат да бъдат запаметени в произволна последователност до 20 пътечки на CD / 99 пътечки на MP3 .

1. В режим Стоп натиснете бутона **PROG./M/P-MODE**, при което ще мига “**PROG**” и ще светне индикаторът “**T-000**”.
2. Натиснете бутона **▶▶/TUN+** или **◀◀/TUN-** за да изберете първата желана пътечка за програмиране.
3. Натиснете бутона **PROG./M/P-MODE** за да въведете. Дисплеят се сменя на “**P02**”.
4. Повторете стъпки 2 и 3, за да запаметите други желани пътечки, докато всички възможни пътечки бъдат програмирани.
5. Натиснете бутона **▶/SELECT/SCAN/PAIR** за да започнете възпроизвеждане от първата програмирана пътечка.
6. Натиснете бутона **■/MENU/INFO**, за да спрете програмираното възпроизвеждане.

## За да изтриете паметта (Програмата)

За да изтриете програмата имате две опции:

1. Натиснете бутона **■/MENU/INFO** когато дискът е спрял.
2. Отворете отсека за CD - програмата ще се изтрие.

*ЗАБЕЛЕЖКА: Ако в USB или MP3 диск има няколко папки (folders), е необходимо първо да се програмират папките и след това пътечките. Натиснете бутона **10/FOLD./MEM.+** или **10/FOLD./MEM.-** за да изберете папката, която искате да програмирате. След това натиснете бутона **▶▶/TUN+** или **◀◀/TUN-** за да изберете първата желана пътечка за програмиране и натиснете бутона **PROG./M/P-MODE** за да въведете. Дисплеят показва “**P02**”.*

## ПОВТОРЕНИЕ

### За Повторение на една пътечка

1. Натиснете еднократно бутона **PROG./M/P-MODE** в режим на възпроизвеждане като при това на дисплея ще се покаже “**REP-1**”. Текущата пътечка ще се възпроизвежда непрекъснато докато се натисне бутона **■/MENU/INFO**.
2. За да прекратите функцията за Повторение (Repeat), натиснете бутона **PROG./M/P-MODE** докато от дисплея излезне “**REP-1**”.

### За Повторение на всички пътечки

1. Натиснете бутона **PROG./M/P-MODE** в режим на възпроизвеждане, докато на дисплея се покаже “**REP-ALL**”, при което всички пътечки от диска ще се възпроизвеждат непрекъснато докато се натисне бутона **■/MENU/INFO**.
2. За да прекратите функцията за Повторение (Repeat), натиснете бутона **PROG./M/P-MODE** докато от дисплея излезне “**REP-ALL**”.

### За Повторение на текущата папка (само за MP3)

1. Натиснете бутона **PROG./M/P-MODE** в режим на възпроизвеждане, докато на дисплея се покаже “**REP-ALBUM**”, като при това всичко от текущата папка ще се възпроизведе непрекъснато докато се натисне бутона **■/MENU/INFO**.
2. За да прекратите функцията за Повторение (Repeat), натиснете бутона **PROG./M/P-MODE** докато от дисплея излезне “**REP-ALBUM**”.

### НЕПОСЛЕДОВАТЕЛНО ВЪЗПРОИЗВЕЖДАНЕ

Натиснете бутона **PROG./M/P-MODE** в режим на възпроизвеждане докато на дисплея се покаже стабилно “**RANDOM**”, при което незабавно ще започне непоследователно (random) възпроизвеждане докато преминат всички пътечки и възпроизвеждането спре. Натиснете еднократно бутона **PROG./M/P-MODE** за да отмените функцията.

### ФУНКЦИЯ INTRO

Натиснете бутона **PROG./M/P-MODE** в режим на възпроизвеждане докато на дисплея се покаже стабилно “**INTRO**”, при което ще започне възпроизвеждане Intro със сканиране по 10 секунди за всяка пътечка. За да прекратите възпроизвеждането Intro, натиснете бутона **PROG./M/P-MODE** докато “**INTRO**” излезне от дисплея.

### РАБОТА С USB

1. Натиснете бутона **⏻/FUNC.** за да изберете режим **USB**.
2. Включете USB устройството във входния съединител USB на плеъра. Дисплеят ще покаже общият брой пътечки и папки, записани в USB устройството. След разпознаване на USB устройството, плеърът ще започне автоматично възпроизвеждане.
3. Натиснете бутона **■/MENU/INFO**, за да спрете възпроизвеждането. Дисплеят ще покаже общият брой пътечки и папки, записани в USB устройството.
4. Можете да прилагате повтарящо се възпроизвеждане (1 пътечка - папка - всички пътечки - непоследователно възпроизвеждане - функция intro), по начина, описан по-напред в РАБОТА СЪС CD/MP3.

**ВНИМАНИЕ:** Не ползвайте удължителен USB кабел за свързване на USB разклонител, тъй като това може да причини вредни смущения.

### РАБОТА С БЛУТУУТ (BLUETOOTH)

1. Натиснете бутона **⏻/FUNC.** за да активирате функцията **BLUETOOTH**, при което дисплеят ще покаже мигаща с висока честота индикация “**UNCONNECT**”.
2. Включете функцията Блутуут (Bluetooth) на уреда, при което ще се изпълни сканиране “**JVC RC-E561B-DAB**” и свързване; въведете парола 0000, ако бъде поискана и забележете постоянната индикация “**BT MODE CONNECT**” на дисплея, показваща, че връзката е осъществена. Натиснете бутона **▶II/SELECT/SCAN/PAIR** на уреда или клавиша Play, за да започнете възпроизвеждане.
3. Ако уредът не може да се свърже със съответното блутуут устройство в рамките на 2 минути, натиснете и задръжте бутона **▶II/SELECT/SCAN/PAIR** на уреда, за да повторите опита за свързване.
4. Натиснете бутоните **VOL.+/-** за да изберете желаната сила на звука.
5. Натиснете бутона **▶II/TUN+** или **◀◀/TUN-** на уреда, за да изберете желаната пътечка.
6. За да спрете възпроизвеждането натиснете бутона **▶II/SELECT/SCAN/PAIR**.

*Забележка: Функцията Блутуут (Bluetooth) работи най-добре в обхвата до 10 метра между устройствата.*

## ОПЕРАЦИЯ С AUX IN

Този уред разполага с 3.5mm входен жак AUX IN, който позволява други устройства да се свързват с уреда и сигналът им да бъде усилен.

1. Свържете единия край на аудио кабела (не е включен в комплекта) във входния жак AUX IN на уреда, а другия край - в изходния жак AUDIO OUT на външното устройство. Уредът ще влезе автоматично в режим AUX.
2. Настройте силата на звука на главното устройство до желаното ниво.
3. Натиснете бутона PLAY на външното аудио устройство (например MP3 плеър), за да започне възпроизвеждането.

## ПОДДЪРЖАНЕ НА КОМПАКТ-ДИСКОВЕТЕ

Винаги ползвайте компакт дискове с показаната тук марка.



Бележки за работата с дискове:

- Изваждане на диска от кутията му и зареждане.
- Не пипайте огледалната страна със записа.
- Не залепвайте хартия и не пишете нищо върху повърхността.
- Не огъвайте диска.

Съхраняване

- Съхранявайте диска в кутията му.
- Не излагайте дисковете на пряка слънчева светлина или висока температура, висока влажност или запрашаване.

Почистване на диск

- Ако дискът е замърсен, избършете праха, замърсяванията и отпечатъците от пръсти с мека кърпа.
- Дискът трябва да се почиства от центъра към края.
- Никога не ползвайте бензин, разреждители, почистващи течности или анти-електростатичен спрей.
- Не забравяйте да затваряте вратичката на отсека за CD, за да не се запрашават оптичните лещи на плеъра.
- Не докосвайте лещите.

## СПЕЦИФИКАЦИИ

### ОБЩИ

Мрежово захранване	Променлив ток (AC) 100-240V ~ 60/50Hz Постоянен ток (DC) Батерии 9V тип UM-1/D × 6 броя
Консумирана мощност	14 W
Консумирана мощност - Готовност	< 0,5 W
Тегло	приблизително 1,7 kg
Размери	приблизително 285 (Ш) x 213 (Д) x 140 (В) mm
Околна температура при работа	+5°C – +35°C

### СЕКЦИЯ РАДИОПРИЕМНИК

FM Честотен диапазон	87,5 – 108 MHz
DAB+ Честотен диапазон	174,928 - 239,200 MHz

### СЕКЦИЯ БЛУТУУТ

BT Честотен диапазон	2402 – 2480 MHz
EIRP	2,64 dBm

### CD СЕКЦИЯ

Четяща оптика	3-лъчев лазер
Честотна лента	100 Hz – 16 kHz

### СЕКЦИЯ КАСЕТИ

Система за запис	2 пътечки 2 канала (Стерео)
Система за подмагнитване	Постояннотоково подмагнитване
Честотна лента	125 – 6,3 kHz
Коефициент на детонация	0,35 % WRMS (JIS)

### ФУНКЦИЯ АУДИО

Изходна мощност	2 x 1,5 W RMS (еф.стойност)
-----------------	-----------------------------

### ПРИНАДЛЕЖНОСТИ

Книжка с Ръководство за експлоатация, Мрежов кабел, Дистанционно управление

**ЗАПАЗВАМЕ ПРАВОТО СИ НА ПРОМЯНА НА ТЕХНИЧЕСКИТЕ ХАРАКТЕРИСТИКИ.**



**ПРЕДУПРЕЖДЕНИЕ:** НЕ ПОЛЗВАЙТЕ ТОЗИ УРЕД БЛИЗО ДО ВОДА ИЛИ ВЛАЖНИ МЕСТА, ЗА ДА СЕ ИЗБЕГНЕ ВЪЗПЛАМЕНЯВАНЕ ИЛИ НАРАНЯВАНЕ ОТ ЕЛЕКТРИЧЕСКИ УДАР. ВИНАГИ ИЗКЛЮЧВАЙТЕ УРЕДА КОГАТО НЕ ГО ПОЛЗВАТЕ ИЛИ ПРЕДИ СЕРВИЗНО ОБСЛУЖВАНЕ. В ТОЗИ УРЕД НЯМА ЧАСТИ, КОИТО МОГАТ ДА БЪДАТ РЕМОНТИРАНИ ОТ ПОТРЕБИТЕЛЯ. ВИНАГИ СЕ ОБРЪЩАЙТЕ КЪМ УПЪЛНОМОЩЕН СЕРВИЗ С КВАЛИФИЦИРАН ПЕРСОНАЛ. УРЕДЪТ СЕ ЗАХРАНВА ОТ ОПАСНО НАПРЕЖЕНИЕ.



ЗА ДА СЕ ИЗБЕГНЕ ОПАСНОСТТА ОТ ЗАДУШАВАНЕ, ДРЪЖТЕ ПЛАСТМАСОВАТА ЧАНТА ДАЛЕЧ ОТ БЕБЕТА И ДЕЦА. НЕ ПОЛЗВАЙТЕ ТАЗИ ЧАНТА В ДЕТСКИ КОШЧЕТА, ДЕТСКИ КОЛИЧКИ ИЛИ ДЕТСКИ КОШАРКИ. ТАЗИ ЧАНТА НЕ Е ИГРАЧКА.

### **Изхвърляне на стари електрически и електронни уреди (Приложимо в Европейския съюз и други европейски страни с разделно събиране на отпадъците)**



Този символ върху продукта или опаковката му показва, че продуктът не трябва да се счита за домашен отпадък. Той трябва да бъде предаден в подходящ пункт за рециклиране на електрическо и електронно оборудване. Когато изхвърлите този продукт екологично правилно, ще помогнете за предотвратяване на потенциално негативните последствия за околната среда и човешкото здраве, които биха били причинени при неправилно изхвърляне на продукта. Рециклирането на материалите ще помогне за запазване на природните ресурси. За по-подробна информация по рециклирането на този продукт, можете да се свържете със съответната служба на общината или службата по чистотата на града или магазина, от който сте закупили продукта.

С настоящето, ETA a.s. декларира, че радиоустройството тип RC-E561B-DAB съответства на Директива на ЕС 2014/53/EU. Пълният текст на Декларацията за съответствие с директивите на ЕС е достъпен на следния Интернет адрес: [www.JVCAUDIO.cz/doc](http://www.JVCAUDIO.cz/doc)









# JVC

This product is manufactured and distributed exclusively by **ETA a.s.**,  
serviced and warranted by its designated partner.  
“**JVC**” is the trademark of **JVCKENWOOD Corporation**,  
used by such company under license.